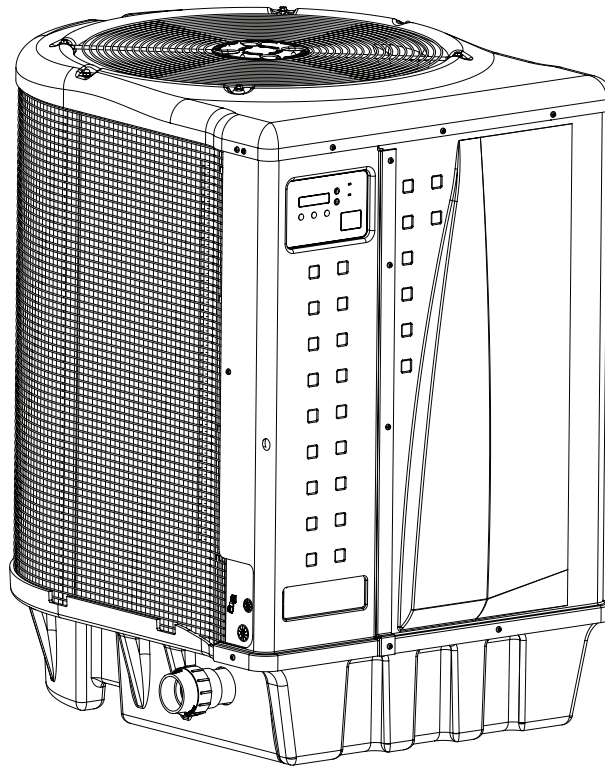




ULTRATEMP[®]

HEAT PUMP



INSTALLATION AND USER'S GUIDE

IMPORTANT SAFETY INSTRUCTIONS
READ AND FOLLOW ALL INSTRUCTIONS
SAVE THESE INSTRUCTIONS

ENGLISH

FRANÇAIS

ESPAÑOL

IMPORTANT WARNING AND SAFETY INSTRUCTIONS



Important Notice:

This guide provides installation and operation instructions for this heat pump. Consult Pentair with any questions regarding this equipment.

Attention Installer: This guide contains important information about the installation, operation and safe use of this product. This information should be given to the owner and/or operator of this equipment after installation or left on or near the heat pump.

Attention User: This manual contains important information that will help you in operating and maintaining this heat pump. Please retain it for future reference.



WARNING Before installing this product, read and follow all warning notices and instructions which are included. Failure to follow safety warnings and instructions can result in severe injury, death, or property damage. Call (800) 831-7133 for additional free copies of these instructions.

Codes and Standards

UltraTemp heat pumps are listed by ETL as complying with the latest edition of the "UL Standard for Safety for Heating and Cooling Equipment", UL 1995 and CSA C22.2 No. 236.

All Pentair heat pumps must be installed in accordance with the local building and installation codes as per the utility or authority having jurisdiction. All local codes take precedence over national codes. In the absence of local codes, refer to the latest edition of the National Electric Code (NEC) in the United States and the Canadian Electric Code (CEC) in Canada for installation.



WARNING RISK OF ELECTRICAL SHOCK OR ELECTROCUTION. The electrical supply to this product must be installed by a licensed, certified electrician or qualified personnel in accordance with the National Electrical Code and all applicable local codes and ordinances. Improper installation will create an electrical hazard which could result in death or serious injury to pool or spa users, installers, or others due to electrical shock, and may also cause damage to property. Read and follow the specific instructions inside this guide.



WARNING Do not permit children to use this product.



WARNING For units intended for use in other than single-family dwellings, a clearly labeled emergency switch shall be provided as part of the installation. The switch shall be readily accessible to the occupants and shall be installed at least 5 feet [1.52 m] away, adjacent to, and within sight of the unit.

Consumer Information and Safety

The UltraTemp series of heat pumps are designed and manufactured to provide safe and reliable service when installed, operated and maintained according to the information in this manual and the installation codes referred to in later sections. Throughout the manual, safety warnings and cautions are identified by the "⚠" symbol. Be sure to read and comply with all of the warnings and cautions.



WARNING The U.S. Consumer Product Safety Commission warns that elevated water temperature can be hazardous. See below for water temperature guidelines before setting temperature.



WARNING The following "Safety Rules for Hot Tubs" recommended by the U.S. Consumer Product Safety Commission should be observed when using the spa.

1. Spa or hot tub water temperatures should never exceed 104°F. [40°C.]. A temperature of 100°F. [38°C.] is considered safe for a healthy adult. Special caution is suggested for young children. Prolonged immersion in hot water can induce hyperthermia.
2. Drinking of alcoholic beverages before or during spa or hot tub use can cause drowsiness which could lead to unconsciousness and subsequently result in drowning.
3. **Pregnant women beware!** Soaking in water above 100°F. [38°C.] can cause fetal damage during the first three months of pregnancy (which may result in the birth of a brain-damaged or deformed child). Pregnant women should stick to the 100°F. [38°C.] maximum rule.
4. Before entering the spa or hot tub, the user should check the water temperature with an accurate thermometer. Spa or hot tub thermostats may err in regulating water temperatures.
5. Persons with a medical history of heart disease, circulatory problems, diabetes or blood pressure problems should obtain their physician's advice before using spas or hot tubs.
6. Persons taking medication which induce drowsiness, such as tranquilizers, antihistamines or anticoagulants should not use spas or hot tubs.

Hyperthermia occurs when the internal temperature of the body reaches a level several degrees above normal body temperature of 98.6°F. [37°C.]. The symptoms of hyperthermia include: drowsiness, lethargy, dizziness, fainting, and an increase in the internal temperature of the body.

The effects of hyperthermia include:

1. Unawareness of impending danger.
2. Failure to perceive heat.
3. Failure to recognize the need to leave the spa.
4. Physical inability to exit the spa.
5. Fetal damage in pregnant women.
6. Unconsciousness resulting in danger of drowning.

General Specifications

Installation Location Certified for use:

OUTDOOR USE ONLY. Failure to provide the proper clearances outlined on page 3 will lower the performance of the heat pump and void the warranty.

Water Pipe/Heater Connection — Plastic 2" PVC (Unions included)

Flow Rate

Maximum 120 gpm [456 lpm] - If system flow rate exceeds 120 gpm, a bypass valve is required.

Minimum 30 gpm [110 lpm]

Maximum Working Water Pressure 50 psi

For Electrical Supply and Voltage Requirements, refer to the table on page 25.

CUSTOMER SERVICE / TECHNICAL SUPPORT

If you have questions about ordering Pentair replacement parts, and pool products, please use the following contact information:

Customer Service

(8 A.M. to 4:30 P.M. — Eastern and Pacific Times)

Phone: (800) 831-7133

Fax: (800) 284-4151

Web site

Visit www.pentair.com for more information about Pentair products.

Technical Support

Sanford, North Carolina (8 A.M. to 4:30 P.M. ET)

Phone: (919) 566-8000

Fax: (919) 566-8920

Moorpark, California (8 A.M. to 4:30 P.M. PT)

Phone: (805) 553-5000 (Ext. 5591)

Fax: (805) 553-5515

TABLE OF CONTENTS

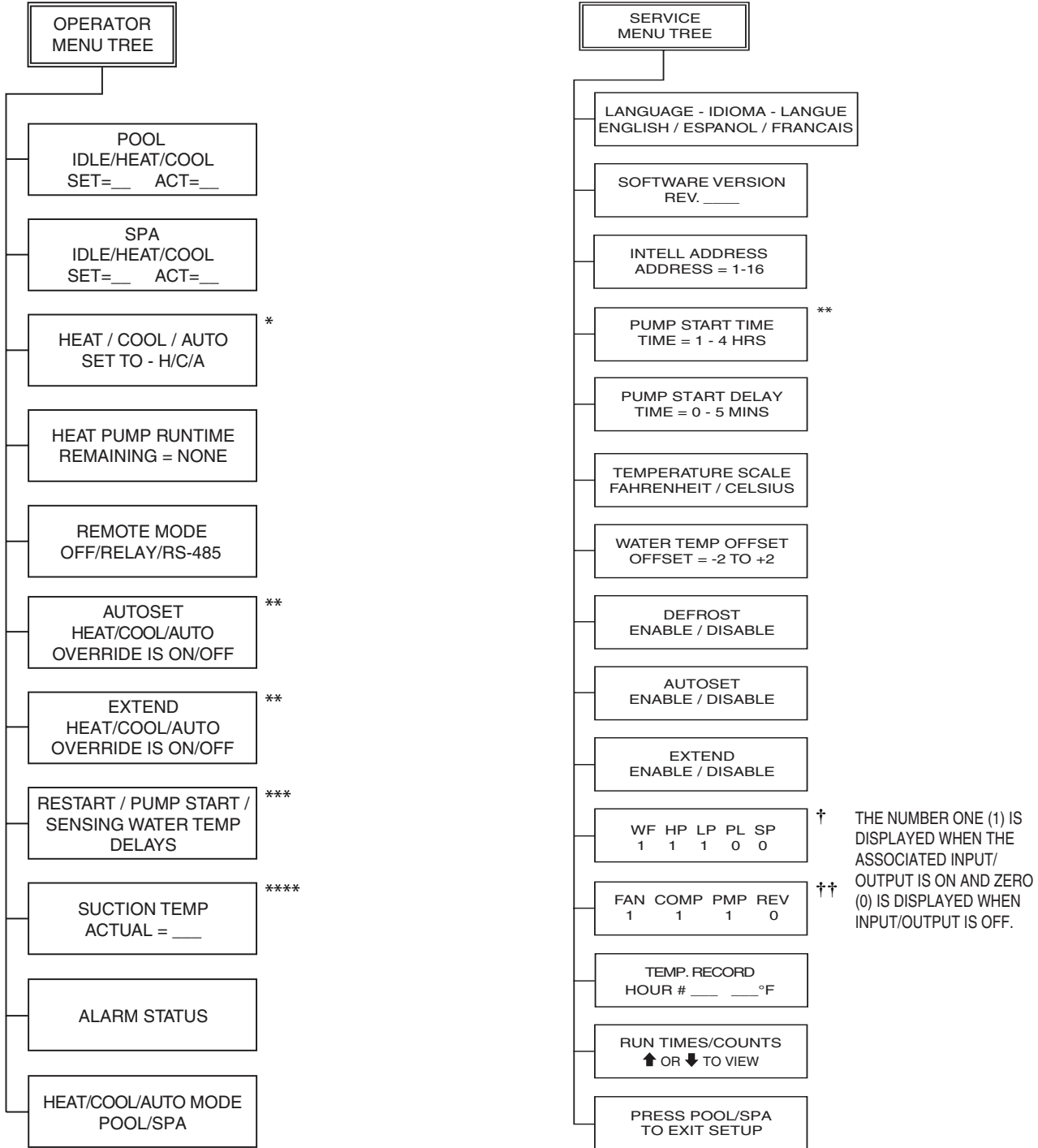
Important Warning and Safety Instructions	i	Operating the Heat Pump	16
Menu Tree Quick Start Guide	iii	Swimming Pool Energy Saving Tips	16
Before Installing the Heat Pump	1	Heat Pump Control Panel Overview	16
Heat Pump Overview	1	Operator Menu Tree Guide	17
Installation Requirements	1	Starting and Stopping the Heat Pump	18
General Installation Information	1	Changing the Set Point - Pool and Spa	18
General Features	1	Heat, Cool, and Auto Modes	18
Installation and Location	2	Heat Pump Timer	18
Materials Needed for Installation	2	Relay Remote	18
Equipment Pad	2	RS-485 Remote (Serial Cable)	18
Drainage and Condensation, Roof Run Off, and Lawn Sprinklers	2	AutoSet Operation	19
Heat Pump Dimensions	2	Extend Operation	19
Location and Clearances	3	Timers and Delays	20
Anchor Clamp Installation	3	Control Panel Alarm Messages	20
Water Connections and Plumbing	4	Service Menu Tree Guide	21
Automatic Flow Control Valve	4	Setting Temperature Scale	22
Water Connections to the Heat Pump	5	Set Water Temperature Offset	22
Drainage Connection to the Heat Pump	5	Defrost Cycle	22
Water Pressure Switch Adjustment	6	Run Time Counters	22
Multiple Unit Installation	7	Locking the Control Panel	22
Heat Pump, Heater, Solar Combination	7	Maintenance	23
Multiple Heat Pump Connections	7	Water Chemistry	23
Electrical Connections and Wiring	9	Winterizing	23
Wiring Diagram – (Single Phase – 50/60 Hz)	10	Spring Start Up	23
Wiring Diagram – (Three Phase – 60 Hz)	11	Inspection and Service	23
Connecting to an Automation System	12	Owner Inspection	24
Remote Operation	12	Professional Maintenance and Service	24
Relay Remote Controls	12	Technical Information	25
Connecting to IntelliTouch or EasyTouch via Heat Pump Spade Terminals	13	Electrical Supply - Voltage Requirements	25
Connecting to IntelliTouch or EasyTouch via RS-485 Connector	14	Temperature Resistance Chart	25
Pin Configuration for Heat Pump Control Board to IntelliTouch	15	Ambient/Water Flow Table for Professional Maintenance and Service	26
Connecting IntelliTouch or EasyTouch to the Heat Pump	15	Heat Pump Pressure Drop	26
		Troubleshooting	27
		Replacement Parts	32
		Illustrated Parts View	32
		Parts List	33

For pool energy saving tips, refer to page 16, under “Operating the Heat Pump”. For technical data, voltage requirements, or ambient/water flow information, refer to page 25 at the back of the manual.

ULTRATEMP® MENU TREE QUICK START GUIDE

1. Push the ON/OFF button to turn the unit on, the green “ON” light should be lit.
2. Select either Pool or Spa mode. The default is Pool mode.
3. Adjust the temperature to the desired setting by pushing either the UP arrow or DOWN arrow.
4. Allow 5 minutes for compressor restart delay.

See pages 17-22 for details on the Operator and Service menu screens on the control panel.



- * Menu appears only if Heat and Cool mode is enabled at the factory.
- ** Menu appears only if AutoSet or Extend is enabled in the Service menu.
- *** Menu appears only if a delay is active.
- **** Menu appears only if Defrost is enabled in the Service menu.

- † **INPUT STATUS**
 WF = WATER FLOW SWITCH
 HP = HIGH REFRIGERANT PRESSURE SWITCH
 LP - LOW REFRIGERANT PRESSURE SWITCH
 PL - POOL REMOTE
 SP - SPA REMOTE

- †† **OUTPUT STATUS**
 FAN - FAN
 COMP - COMPRESSOR
 PMP - FILTER PUMP
 REV - REVERSING VALVE

BEFORE INSTALLING THE HEAT PUMP

Heat Pump Overview

Your Pentair heat pump will provide you with years of heated pool enjoyment. Heat pumps operate by taking heat from the surrounding air and transferring it into the water. The warmer the air and the more humidity in the air, the more latent heat is available for heating your pool. With a properly sized heat pump for your pool, the heat pump should raise your pool on average 1° F per hour depending on air temperature, humidity, and water temperature. The ideal or rated condition for the heat pump is 80° F air temperature, 80% relative humidity, and 80° F water temperature. As conditions decrease from 80/80/80, the heat pump performance will decrease slightly.

Heat Pumps are best utilized to maintain a set water temperature; they are not intended to provide instant or fast heating. It is not reasonable to expect a heat pump to perform like a gas heater which has a much higher BTU output and faster response. Additionally, gas heaters are not dependent on environmental conditions. Swimming pool heat pumps are very similar to home heating and air conditioning heat pumps and therefore should be treated similarly.

Proper operation and use of the heat pump is to set it at your desired temperature and leave it. Your heat pump will turn on and off automatically to maintain your desired temperature much like your home HVAC unit. To take advantage of the sun's energy, operate your heat pump during the heat of the day.

Your heat pump will still operate when the temperature drops at night, but the output will be decreased. It is acceptable to shut the heat pump off and not use it for extended periods of time. When you have a need to heat your pool, please plan accordingly since it may take the heat pump days to heat your pool back to your desired temperature, depending on your pool temperature and environmental conditions.

Heat Pump Installation Requirements

Correct installation is required to assure safe operation. The requirements for Pentair heat pumps include the following:

- Dimensions for critical connections.
- Field assembly (if required).
- Appropriate site location and clearances (pages 2-3).
- Proper electrical wiring (pages 9-11).
- Adequate water flow (page i).

This manual provides the information needed to meet these requirements. Review all application and installation procedures completely before continuing the installation.

General Installation Information

1. Installation and service must be performed by a qualified installer or service agency, and must conform to all national, state, and local codes.
2. Heat pumps get electrical power from an external source and provide a dual electronic thermostat control system for pool/spa combinations or preheat convenience.
3. This heat pump is specifically designed for heating fresh water swimming pools and spas. Do not use it as a general service heater. Consult your dealer for the appropriate Pentair products for these applications.

General Features

- Dual digital thermostats offer precise temperature control to maintain the desired separate water temperatures in pool/spa combinations without overheating or wasting energy.
- Long-life corrosion resistant composite plastic cabinet stands up to severe climates and pool chemicals.
- 100% pure titanium heat exchanger assures corrosion-free performance for extra long life.
- Self-diagnostic control panel monitors and troubleshoots heat pump operations to ensure safe, dependable operation.
- Autoset (time clock over-ride) feature monitors water temperature and turns the water circulation pump on and off as needed to maintain desired pool temperatures.
- Extend (time clock over-ride) feature monitors water temperature and turns the water circulation pump on and off as needed to prolong a heating cycle that has been interrupted.
- Automatic Defrost feature senses refrigerant temperature and prevents the heat pump from freezing, allowing the heat pump to operate at even lower temperatures.
- Compatible with all automated control packages. RS-485 communication compatible with IntelliTouch® and EasyTouch® Control Systems.
- Thermostatic expansion valve (TXV) controls refrigerant flow for optimum efficiency and BTU output over a wider operating range.
- Elevated base pan for positive drainage of condensation.
- 2-inch plumbing connections for easy installation.
- Separate isolated electrical compartment prevents internal corrosion, extends heater life.
- Highest efficiency available, meets or exceeds existing codes and standards.
- Adjustable timer allows the operator to set the heat pump to run for a predetermined time. Incremental by 10 minutes to a maximum of 99 hours.
- An extensive list of operational conditions, alarms and water temperatures are logged on the control board. This information is available for the user to track performance and troubleshoot issues.

INSTALLATION AND LOCATION



When pool equipment is located below the pool surface, a leak from any component can cause large scale water loss or flooding. Pentair Water Pool and Spa, Inc. cannot be responsible for such water loss or flooding which may cause damage to property or to the product. Avoid placing the heat pump in locations where it can cause damage by water or condensate leakage. If this is not possible, provide a suitable drain pan to catch and divert any leakage.

Only a qualified service person should install the UltraTemp® Heat Pump. Before installing this product, refer to the *Important Warning and Safety Instructions* on page i.

Materials Needed for Installation

The following items are needed and are to be supplied by the installer for all heat pump installations:

1. Plumbing connections (2-inch).
2. Level surface for proper drainage.
3. Suitable electrical supply line. See rating plate on unit for electrical specifications. A junction box is not needed at the heat pump; connections are made inside of the heat pump electrical compartment. Conduit may be attached directly to the heat pump jacket.
4. Electric cutout switch that will interrupt all power to the unit. This switch must be within line of sight of the heat pump. Check local codes for requirements.
5. Watertight conduit to run the electrical supply line.

Equipment Pad

For proper drainage of condensation and rain water, place the heat pump on a flat slightly pitched surface, such as a concrete or fabricated slab (pad).

If possible, place the pad at the same level or slightly higher than the filter system equipment pad.

Note: Be sure that the pad is pitched not more than 1/4 in. per foot in any direction as needed for runoff.

Drainage and Condensation

Condensation occurs from the evaporator coil while the unit is running, and drains at a steady rate (usually three to five gallons per hour), depending upon ambient air temperature and humidity. The more humid the ambient conditions, the more condensation will be produced.

The bottom of the unit acts as a tray to catch rainwater and condensation. Keep the drain holes, located on the bottom pan of the base of the unit, clear of debris.

Roof Run-off

Make sure the heat pump is not located where large amounts of water may run-off from a roof into the unit.

Sharp sloping roofs without gutters will allow massive amounts of rain water, mixed with debris from the roof to be forced through the unit. A gutter or down spout may be needed to protect the heat pump.

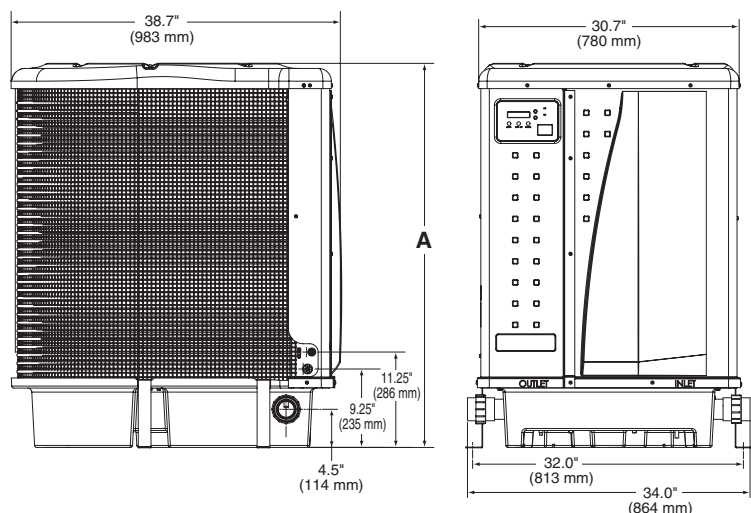
Lawn Sprinklers

Avoid placing lawn sprinkler near the heater - they can spray water into the heater and void the warranty.

Be sure to direct any spraying water away from the heater. Note the wind direction to be sure water from sprinklers is not blown toward the heater. Sprinkler heads can produce high water pressure and spray at an angle, different from typical rain and humid weather. Also, sprinklers connected to a well water system can cause mineral build up on the evaporator coils and electronics. Salt water can also be an issue if located near the coast.

Heat Pump Dimensions

MODELS	DIMENSION "A"
70, 90	33.5" (851 mm)
110, 120, 120C, 140C 120 H/C, 140, 140 H/C	45.5" (1156 mm)



Location and Clearances

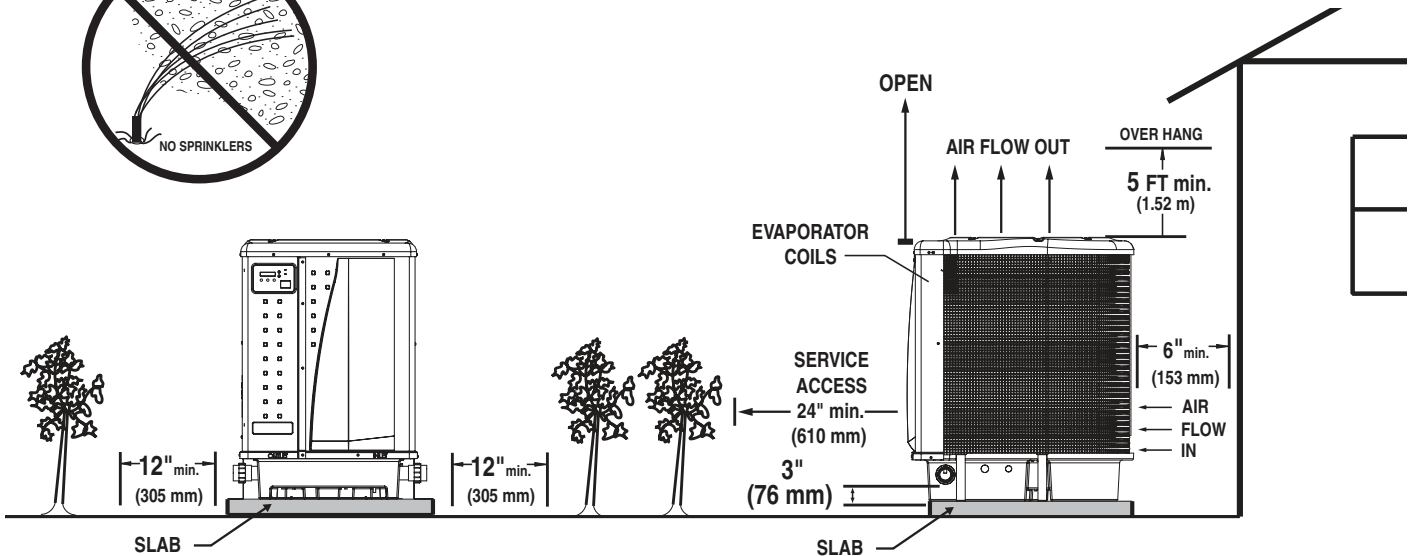
All criteria given in the following sections reflect minimum clearances. However, each installation must also be evaluated, taking into account the prevailing local conditions such as proximity and height of walls, and proximity to public access areas.

The UltraTemp® Heat Pump must be placed to provide clearances on all sides for maintenance and inspection.

1. At least 24 in. [610 mm] access must be available in the front and 12 in. [305 mm] on all the other sides of the heat pump for service and proper air flow. (Manufacturer's recommendation).



2. If the heat pump is to be installed under a cover or under a vertical overhang, the unit must have a minimum of five (5) feet [1.52 m] clearance from the top of the heat pump. (Manufacturer's recommendation).
3. Install a minimum of five (5) feet [1.52 m] from the inside wall of the pool or spa unless the heat pump is separated from the pool or spa by a five (5) foot [1.52 m] high solid fence or other permanent barrier. Canadian installations require a minimum of three (3) meters [9.84 ft] from pool water.
4. Install heat pump a minimum of 6 in. [153 mm] from the wall of the house.



Heat Pump Location and Clearances

Anchor Clamp Installation

Installation of the anchor clamps is recommended in all installations. Installation of the anchor clamps is required in Florida (see Florida Building Code 301.13).

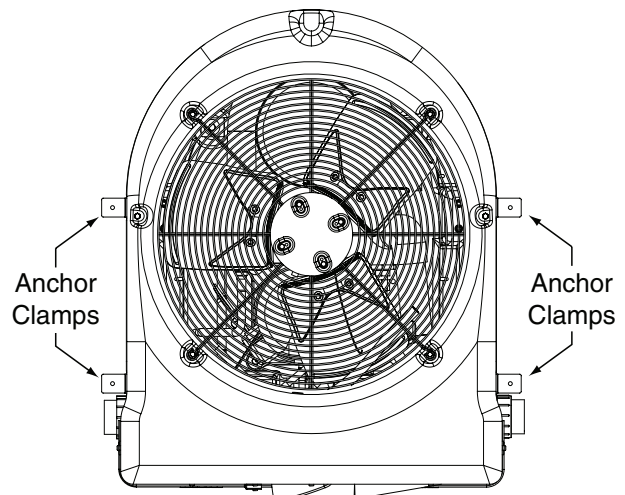
Anchor clamps hold the heat pump to the equipment pad in order to withstand high winds caused during extreme weather (i.e. hurricanes).

To install the anchor clamps:

1. Be sure the heat pump is in its permanent location on the equipment pad.
2. Place the clamps at the base of the heat pump in the four (4) locations, shown in the image to the right.

Note: Bolts and bolt anchors are not included with the heat pump. The installer must provide 1/4" x 1-3/8" stainless steel anchor bolts and the appropriate size concrete anchor to mount the clamp to the equipment pad. Be sure to check local codes.

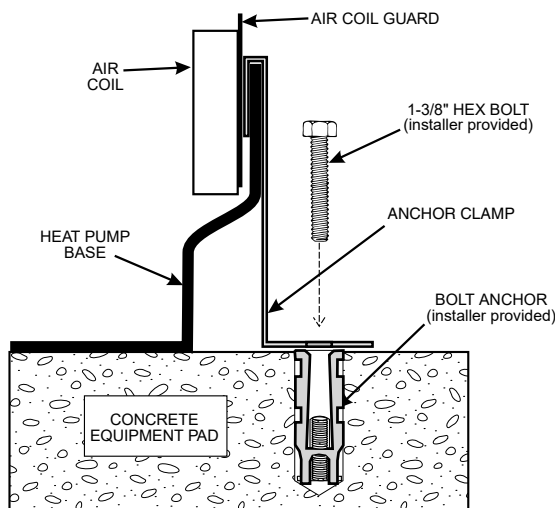
3. Fit the hook of each clamp over the lip on the base panel of the heat pump. The hook should fit between the lip of the base panel and the evaporator coil guard.



Anchor Clamp Installation

Anchor Clamp Installation, Continued

4. Mark the position of the hole in each clamp on the equipment pad.
5. Use a masonry drill bit and drill a hole in the cement with a diameter as determined by the concrete anchor, at each of the marks on the equipment pad. The hole should be approximately 1½ in. deep.
6. Insert a bolt anchor into each of the holes. Be sure the anchors are set completely into the holes.
7. Position the anchor clamps so that the holes in the clamps are over the bolt anchors.
Be sure that the clamp hooks are over the lip of the heat pump base.
8. Insert an anchor bolt through each clamp into the anchor and tighten to secure the clamp and heat pump to the equipment pad.



Anchor Clamp Installation

Water Connections and Plumbing

The image below shows the standard plumbing layout with a single UltraTemp® Heat Pump unit. Follow the image from right to left for the standard plumbing sequence.

Arrangement of pool system components (other than the standard plumbing image below), and the location of the heat pump (above or below the pool water surface) can affect the operation of the heat pump's water pressure switch.

The pressure switch can be adjusted to accommodate this effect if the heat pump water connections are no more than six (6) feet [1.82 m] below the pool water surface.

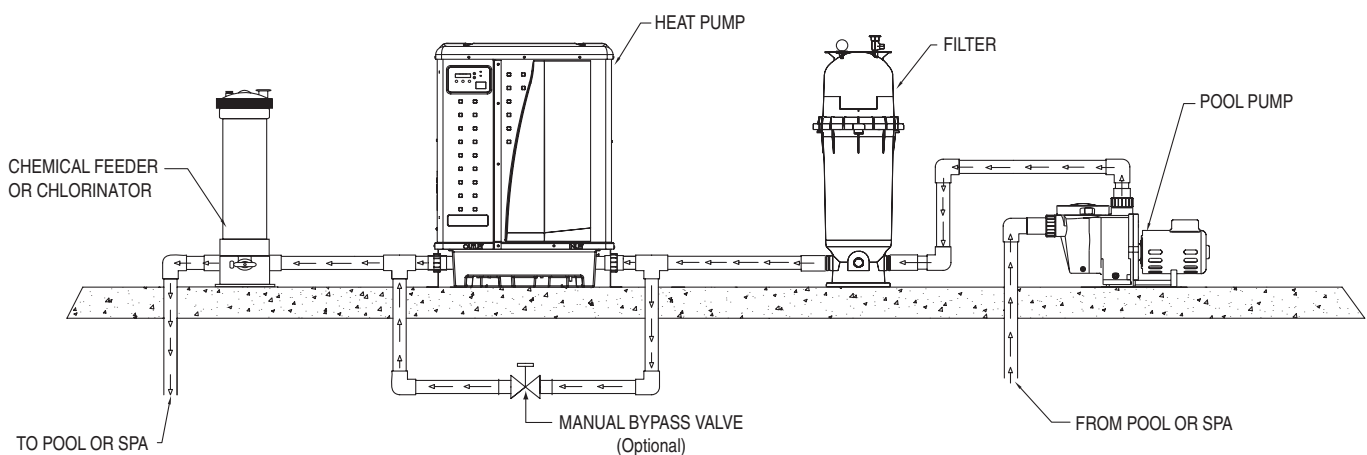
See instructions for pressure switch adjustment on page 6. If the heat pump is installed outside of this range, an external pressure switch may need to be installed in the plumbing upstream of the heat pump.

Note: Be advised that when pool equipment is located below the pool surface a leak can result in large-scale water loss or flooding. Pentair is not responsible for such water loss or flooding or damage.

Automatic Flow Control Valve

The inlet/outlet header of the heat pump comes equipped with an internal automatic flow control valve. The automatic flow control valve maintains the proper flow through the heat pump at rates up to 120 gpm (456 lpm). If the filter system flow rate is higher than 120 gpm (456 lpm), install a manual bypass valve, see image below.

Note: Be advised that if your circulation pump is over 2 HP or if the total flow exceeds 120 gpm (456 lpm), you will have to add an external bypass valve. Excess water flow will damage the heat exchanger.

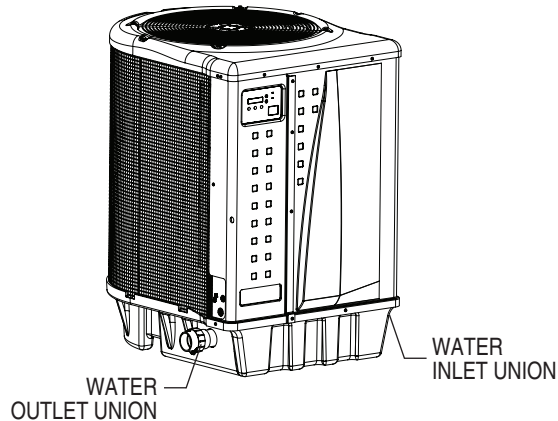


Standard Plumbing Layout

Water Connections to the Heat Pump

2 in. Quick Connect fittings have been installed on the water inlet and outlet connections. Filtered cool water is plumbed to the inlet, located on the right side of the UltraTemp® Heat Pump. Heated water flows through the outlet, located on the left side of the heat pump.

Plastic piping (PVC Schedule 40) should be connected to the heat pump. The unions, provided with the unit, accept 2 in. PVC pipe.



Heat Pump Water Connections



CAUTION Always be sure that flow requirements and pool water turnover rates can be maintained with the installation of additional heat pumps and plumbing restrictions.

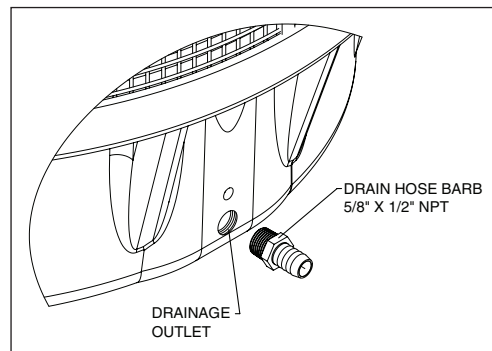
Drainage Connection to the Heat Pump

A 5/8" x 1/2" NPT threaded drain hose barb is included with the heat pump union kit.

Before operating the heat pump for the first time, the drain hose barb must be installed into the threaded drainage outlet located in the base of the heat pump.

To install the Drain Hose Barb and Drain Hose:

1. Thread the drain hose barb into the threaded drainage outlet in the base of the heat pump. See the image below.
2. Connect a 5/8" garden hose to the hose barb.
3. Ensure the end of the garden hose is positioned so that drainage will flow away from the heat pump and equipment pad.



Drain Hose Barb Installation

Water Pressure Switch Adjustment

CAUTION The water pressure switch should be adjusted to turn the heater off when the pump is off. Setting the switch to close at too low of a flow can damage the appliance. Adjust the switch to turn the heater off, not on.

The pressure switch is preset at the factory for activation at 1.5 psi [10 kPa]. This factory setting works for most basic installations. Only adjust the water pressure switch if the heat pump does not operate **when the proper flow is applied to unit** or if the heat pump does not shut off when the filter pump is off. Occasionally, unusual plumbing configurations or necessary restrictions in the plumbing may cause pressure sensing problems. In these rare situations, the plumbing system configuration may require adjustment of the water pressure switch.

Adjustment of the pressure switch may be necessary if any part of the filter system piping is 3 feet [0.91 m] or more above the top of the heat pump.

In general, if the heat pump is installed more than 6 feet [1.83 m] below the pool surface, an external water flow switch must be added to the plumbing system.

On some installations, the piping from the heat pump to the pool is very short. The back pressure could be too low to trigger the pressure switch. If this happens, install a directional fitting or elbow where the return line enters the pool. This will increase back pressure for the heat pump to operate properly. Be sure to check that the system flow is above the minimum requirement of 30 gpm (110 lpm) after the directional fitting installation.

Be sure the pool filter is clean before making any pressure switch adjustment: A dirty filter will restrict the water flow and the pressure switch cannot be adjusted properly.

To adjust the pressure switch:

The following adjustment is for installations where the heat pump is *below* pool water level.

1. Be sure that all valves in the system are set to allow water flow through the heat pump. Start the filter pump.
2. Set the heat pump temperature above the actual temperature to call for heat. Turn the heat Pump ON.
3. Once the heat pump is running, turn off the filter pump. The heat pump should turn off immediately.
4. If the heat pump continues to operate when the filter pump is off, then the water pressure switch needs to be adjusted.
5. Remove the heat pump's left front panel and remove remaining right front panel. The water pressure switch is located in the water plumbing in the lower right corner of the heat pump.

6. Slowly rotate the adjustment wheel on the water pressure switch in a clockwise direction until the "LOW WATER FLOW" Alarm shows on the LCD, the red SERVICE light turns ON, and the heat pump stops.
7. Check the setting of the water pressure switch by starting and stopping the filter pump and checking the control panel and operation of the heater between each flow change.
8. If the water pressure switch cannot be adjusted to accommodate the conditions listed above, an external flow switch must be added to the plumbing system to ensure that the heat pump will not operate without the proper flow through the heat exchanger.

The following adjustment is for installations where the heat pump is *above* pool water level.

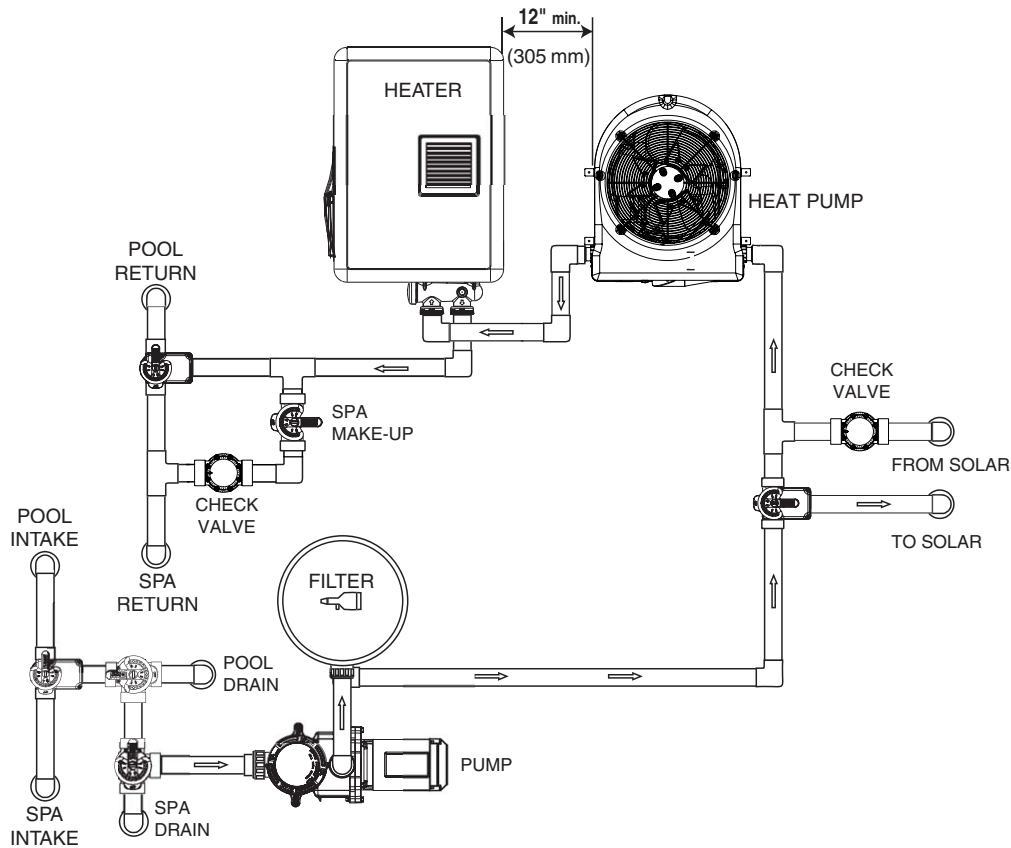
1. Be sure that all valves in the system are set to allow water flow through the heat pump. Start the filter pump.
2. Set the heat pump temperature above the actual temperature to call for heat. Turn the heat pump ON.
3. If the LCD shows a "LOW WATER FLOW" Alarm and red SERVICE light is present then the water pressure switch needs to be adjusted.
4. Remove the UltraTemp® Heat Pump's left front panel and remove remaining right front panel. The water pressure switch is located in the water plumbing in the lower right corner of the heat pump.
5. Slowly rotate the adjustment wheel on the water pressure switch in a counterclockwise direction until the "LOW WATER FLOW" Alarm and red SERVICE light vanish, time delay countdown will start.
6. Once the heat pump is running, turn off the filter pump. The heat pump should turn off immediately.
7. If the heat pump continues to operate when the filter pump is off, turn the adjustment wheel on the water pressure switch in a clockwise direction until the "LOW WATER FLOW" Alarm shows on the LCD, the red SERVICE light turns ON, and the heat pump stops.
8. Check the setting of the water pressure switch by starting and stopping the filter pump and checking the control panel and operation of the heater between each flow change.
9. If the water pressure switch cannot be adjusted to accommodate the conditions listed above, an external flow switch must be added to the plumbing system to ensure that the heat pump will not operate without the proper flow through the heat exchanger.

Multiple Unit Installation

1. Heat Pump, Heater and/or Solar Combination

In certain regions of the country it may be more economical to run a UltraTemp® Heat Pump during the warmer months and a gas heater during the cooler months. In some situations it may be desirable to run the heat pump in the “Chiller” mode, if so equipped, during the hottest portion of the year and a heater during the cooler months. The Pentair heat pump may be used in conjunction with a gas or electric heater or any combination of heat sources including solar. All heat sources must be plumbed in series to work correctly and efficiently.

A recommended plumbing layout for a heat pump / heater / solar combination heating system for a pool / spa combination is shown below. Your system may not contain all of these components, but the basic plumbing will apply by eliminating the component in the illustration that is not a part of your system.



Heater and/or Solar Combination

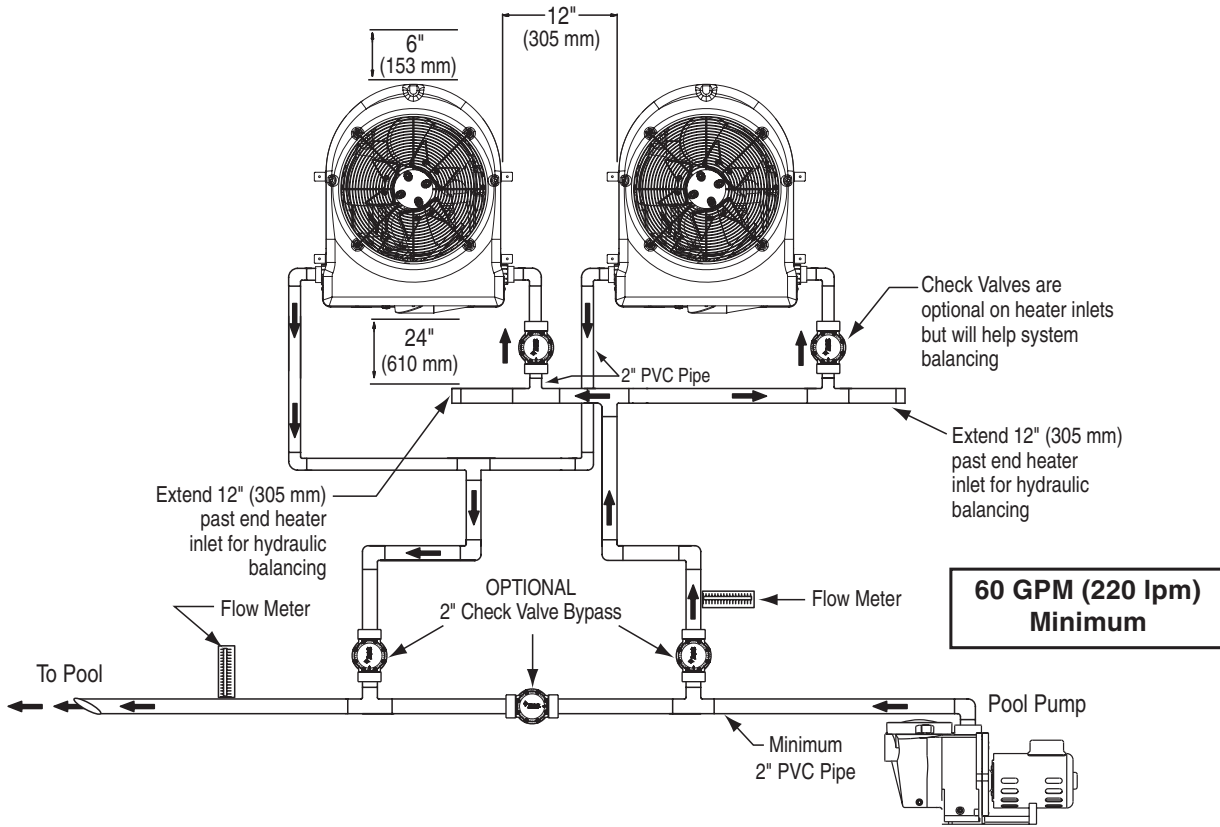
2. Multiple Heat Pump Connections

All plumbing on multiple heat pump installations must be done in parallel (see next page). An equal flow of water to each heat pump is important for optimum operation.

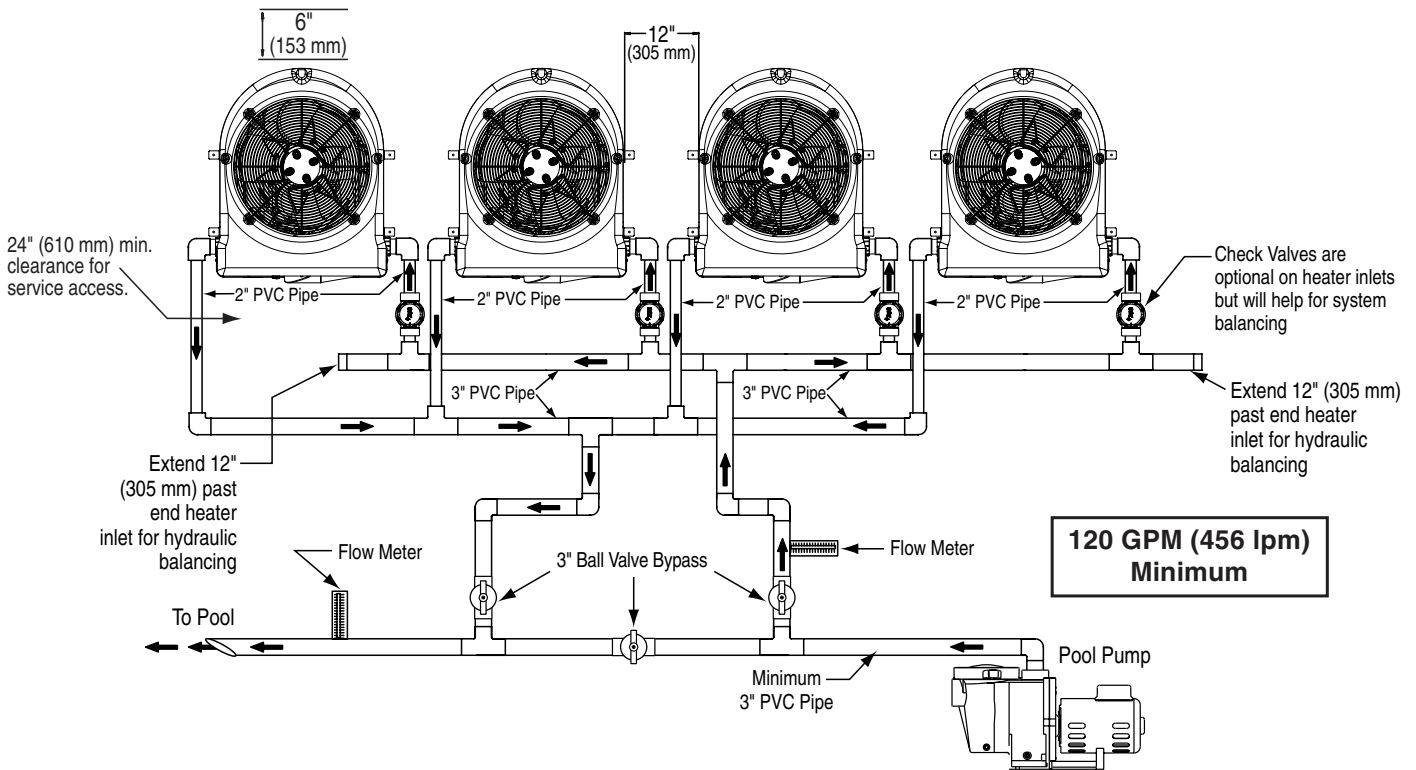
Note: It may be necessary to adjust the water pressure switch if a unit is installed below the water level. Refer back to page 6 for details on when and how to adjust the pressure switch.

Each heat pump in a multiple unit installation allows a maximum flow rate of 100 gpm (380 lpm) and requires a minimum of 30 gpm (110 lpm).

Multiple Unit Installation (cont.)



Two Heat Pump Plumbing Layout



Four Heat Pump Plumbing Layout

Electrical Connections and Wiring

WARNING

RISK OF ELECTRICAL SHOCK OR ELECTROCUTION.



This heat pump contains wiring that carries high voltage. Contact with these wires could result in death or serious injury to pool or spa users, installers, or others due to electrical shock, and may also cause damage to property. Always disconnect power circuit before connecting the heat pump.

CAUTION

Label all wires prior to disconnection when servicing controls. Wiring errors can cause improper and dangerous operation. Verify proper operation after servicing.

General Information

Wiring connections must be made exactly as shown in the wiring diagram found on the inside of the heat pump access panel; see the wiring diagrams on pages 10-11.

The UltraTemp® Heat Pump must include a definite means of grounding and bonding. There is a ground lug inside the heat pump electrical compartment and a bonding lug on the left side of the heat pump.

Bonding

The National Electrical Code and most other codes require that all metallic components of a pool structure, including reinforcing steel, metal fittings, and above ground equipment be bonded together with a solid copper conductor not smaller than 8 AWG. For Canada, a 6 AWG or larger solid copper bonding conductor is required. The heat pump, along with pumps and other pool equipment must be connected to this bonding grid. A bonding lug is provided on the left side of the heat pump to ensure this requirement is met.

CAUTION

This heater must be connected to a bonding grid with a solid copper wire not smaller in diameter than 8 ga. For Canadian installations a solid copper wire not smaller in diameter than 6 ga should be used.

Main Power

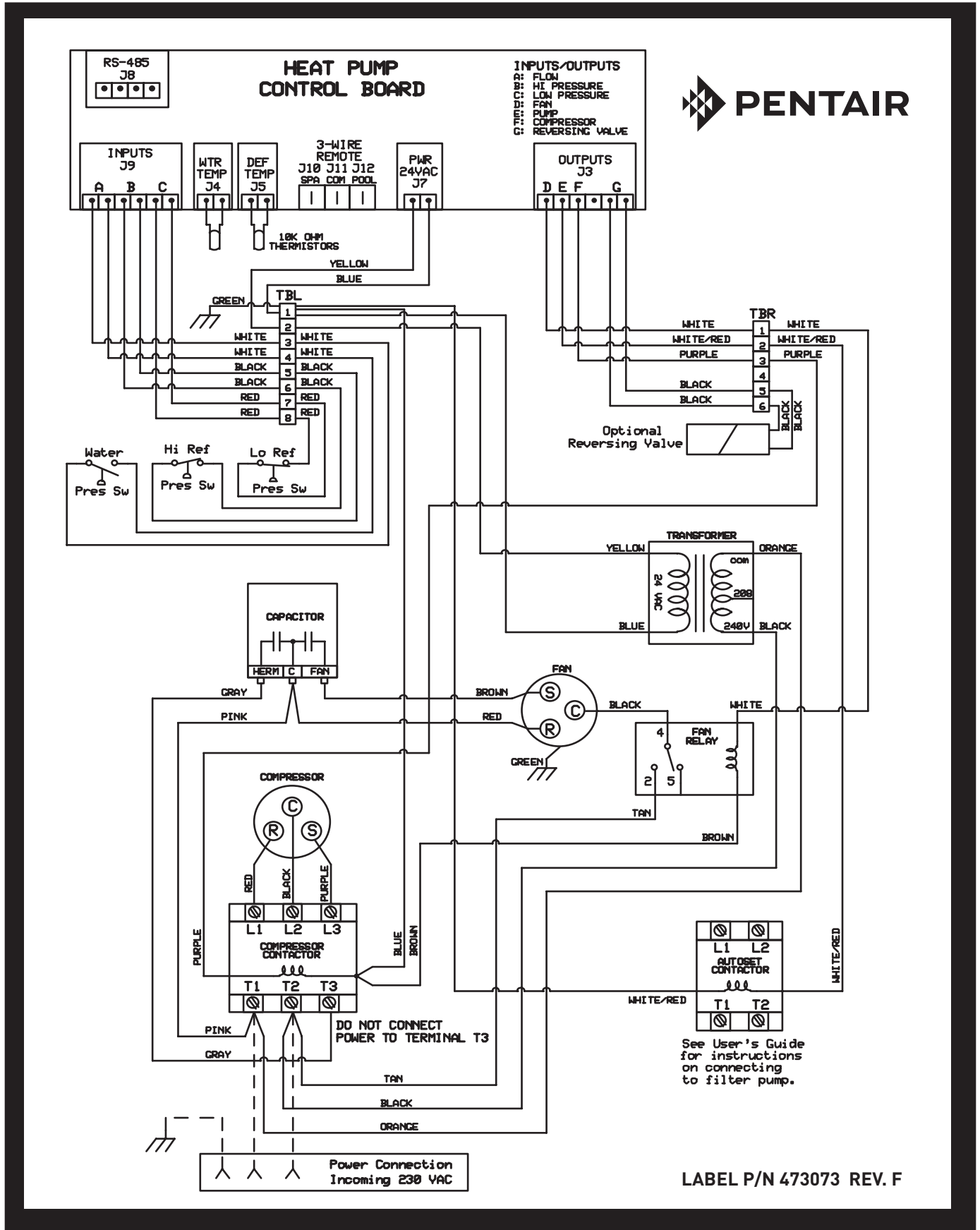
Electrical wiring to the heat pump must be in accordance with the latest edition of the National Electric Code (NEC), ANSI/National Fire Protection Association (NFPA) 70 in the United States, and in Canada, the Canadian Electrical Code (CEC) C22.1, unless local code requirements indicate otherwise. All wiring must be done by a certified or qualified electrician.

The following is the procedure to wire the heat pump to the electrical source:

Be sure the power to the circuit for the heat pump is turned off.

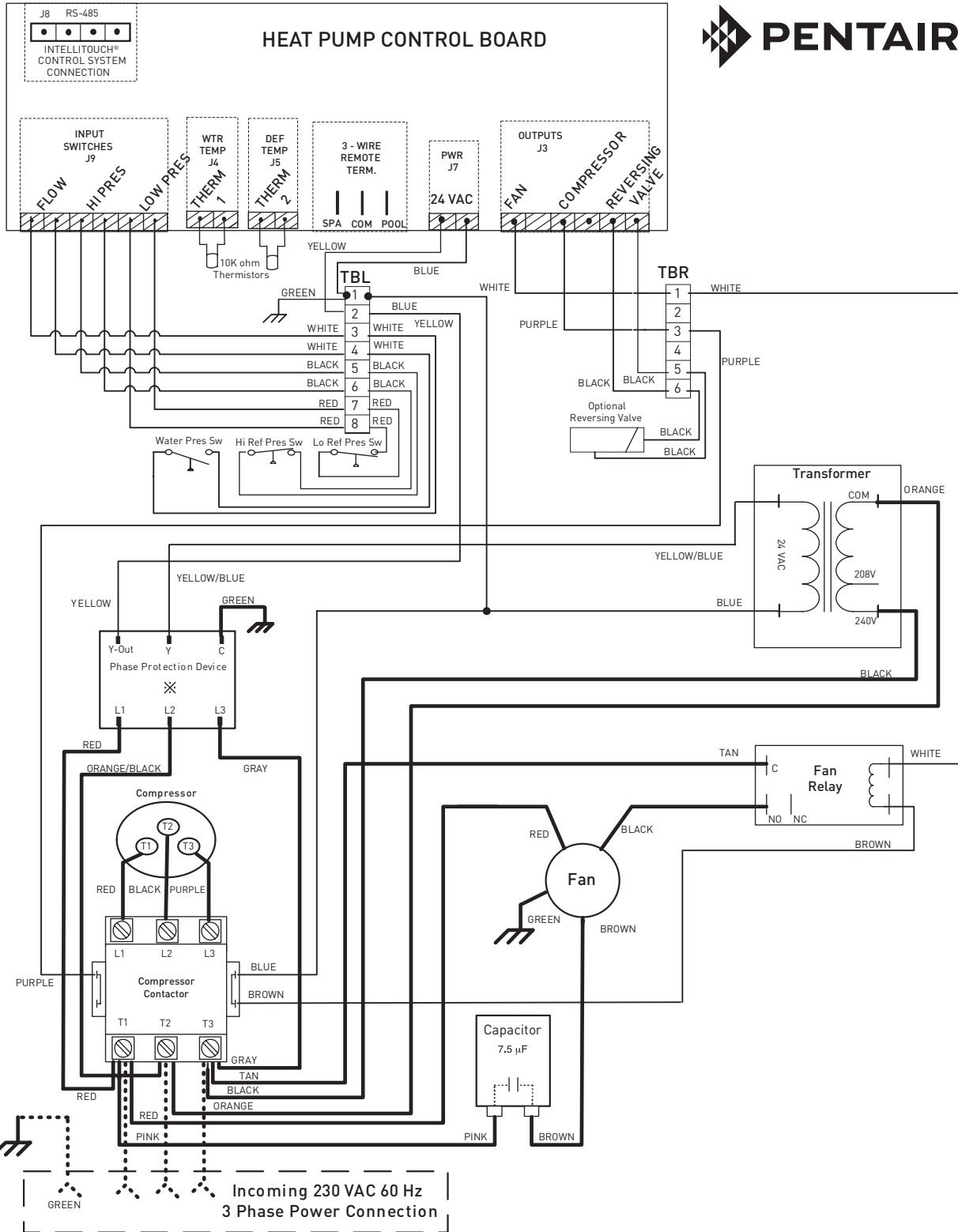
1. Remove the front left panel of the heat pump cabinet, (you do not need to remove the star-head screw at the top left corner).
2. Remove the service panel to the heat pump electrical compartment. (Front left corner of unit)
3. Electrical supply lines must be run through watertight conduit. Run the wires and conduit from the power source and connect them to the conduit connection on the left side of the heat pump.
4. Connect the power leads to the bottom terminals on the main compressor contactor as shown in the wiring diagram.
5. Verify that all other contactor wires are secure, they may have loosened during shipment.
6. Connect the ground wire to the ground lug provided on the bottom of the electrical compartment.
7. Replace the service panel and reinstall screws to hold it in place.
8. Replace the front left panel.
9. Connect a copper bonding wire (8 AWG) (6 AWG in Canada) to the bonding lug on the left side of the heat pump.

Wiring Diagram – (Single Phase – 50Hz/60Hz)



Wiring Diagram – (Three Phase – 60Hz)

ENGLISH



LABEL P/N 474022 REV. D

CONNECTING TO AN AUTOMATION SYSTEM

Remote Operation

The UltraTemp® Heat Pump may be connected to an automation system via the remote spade terminals on the back of the control board (see page 12-13) or via the RS-485 communication connector on the back of the control board (see page 14-15). Refer to the IntelliTouch® or EasyTouch® Control System installation and user's guide for more information.

Note: Remote connection via the RS-485 connector is only available on IntelliTouch and EasyTouch software version 1.11 or higher. All other automation packages must connect via the ¼ in. "Spade" terminals (spade terminals not supplied).

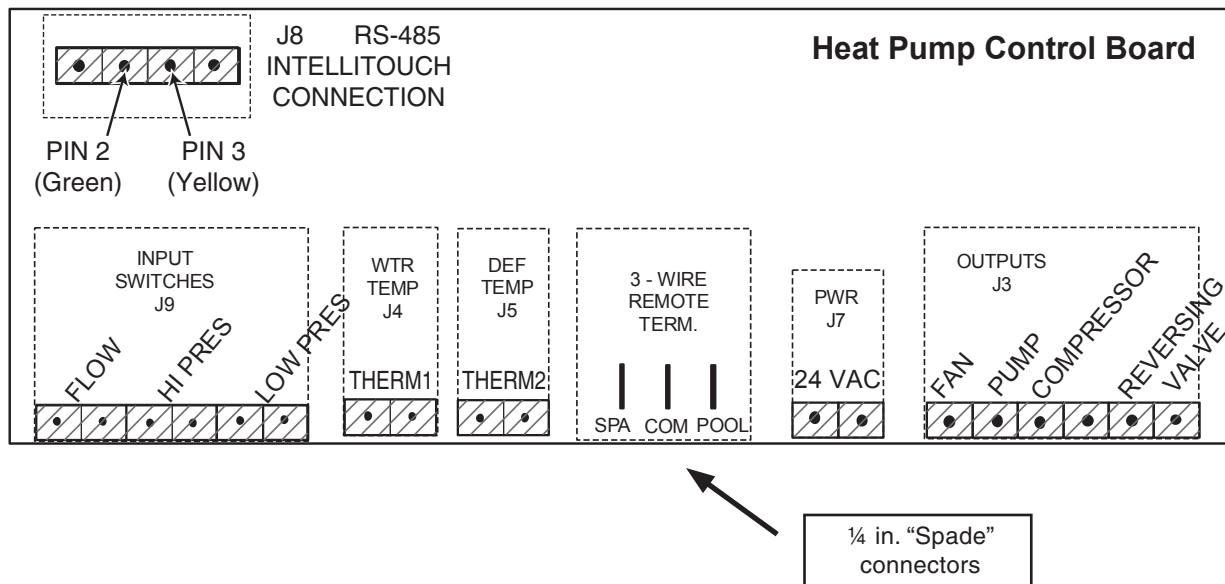
Relay Remote Controls

Electrical wiring must be in accordance with the latest edition of the NEC (NFPA 70) in the United States and CEC (CSA 22.1) in Canada, unless local code requirements indicate otherwise.

To connect remote control equipment to the heat pump, perform the following steps:

1. Turn off the power to both the remote pool/spa control system and the heat pump.
2. Remove the front left panel of the heat pump cabinet, (you do not need to remove the star-head screw at the top left corner).
3. Remove the electrical service panel to the heat pump. Remove the 4 bezel retaining screws from above the electrical compartment and rotate the bezel downward. This will allow you to access the Remote terminals on the back of the heat pump control board for the remote control installation.

4. Run the wires from the pool/spa remote control system into the upper electrical compartment.
5. Connect the wiring from the pool/spa remote control system to the heat pump remote control terminals using ¼ in. "Spade" connectors as shown in the image below.
6. Rotate the bezel back upwards into position and reinstall the 4 retaining screws.
7. Replace the electrical service panel.
8. Replace the front left panel.
9. Restore power to the heat pump and the pool/spa remote control system.
10. Press the MENU SELECT button repeatedly to scroll to the Remote Mode screen. Toggle the selection by pressing one of the arrows until the screen displays "Relay".
11. Turn on the heat pump.



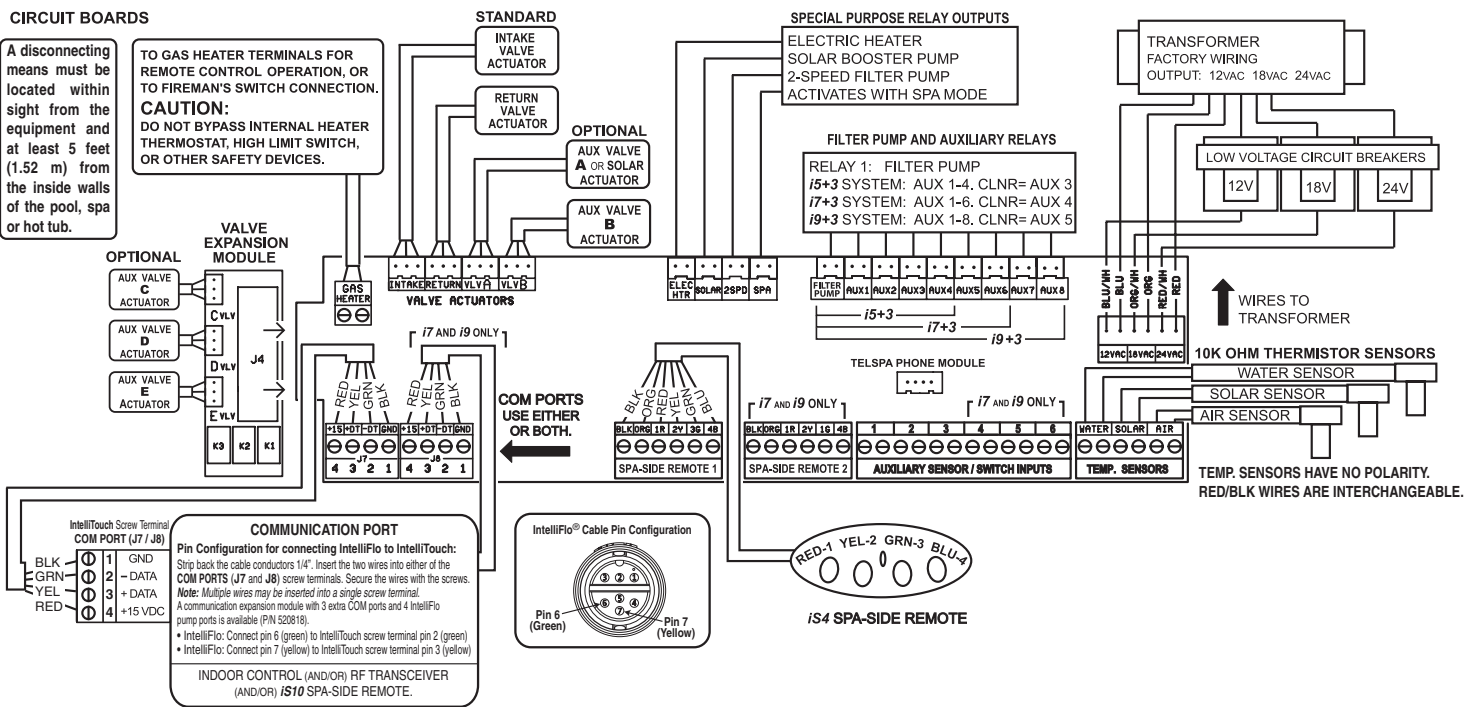
Connecting the Heat Pump to the IntelliTouch® or EasyTouch® Control System Load Center via the Heat Pump Spade Terminals

To connect the UltraTemp® Heat Pump cable to the Personality Board in the IntelliTouch or EasyTouch Load Center:

1. Turn off the main system power before making any connections.
2. Unlatch the front door spring latches, and open the front door of the IntelliTouch or EasyTouch Load Center.
3. Loosen the two retaining screws from the top of the control panel and lower the control panel down to access the Personality Board.
4. Run a UL approved conductor cable from the heat pump to the Load Center.
5. Route the cable up through the low voltage raceway located on the left of the Load Center to the Personality Board, see image below.
6. Insert the UltraTemp cable plug onto the gas heater terminal connector, located on the left side of the Personality Board.

7. If the heat pump is used in conjunction with a gas heater, use a 520403 Dual Heater Relay Kit. Plug the heat pump relay connector onto the SOLAR Terminal on the top center of the Personality Board. Follow the Dual Heater Relay Kit instructions for further set-up details. Be sure to install solar temperature sensor as per instructions.
8. Lift the control panel up into position and secure with the two screws.
9. Connect the cable from the IntelliTouch or EasyTouch Load Center to the heat pump remote control terminals using 1/4 in. "Spade" connectors, Refer to previous page for wiring instructions.

Note: Solar temperature sensor could be left loose in load center. The automation system does not use the temperature reading but just looks for resistance.



IntelliTouch/EasyTouch Load Center Wiring Diagram

Connecting the Heat Pump to the IntelliTouch® or EasyTouch® Control System Load Center via the RS-485 Connector



Switch the main power off to the IntelliTouch® or EasyTouch® load center before servicing.

The UltraTemp® Heat Pump can be controlled by an IntelliTouch or EasyTouch system via the RS-485 communication cable. In this configuration, IntelliTouch or EasyTouch overrides preset Temperature Set points on the heat pump.

The transfer of this data takes several seconds and causes a delay from when the command is given from the IntelliTouch or EasyTouch indoor control panel until the heat pump physically responds. This happens automatically but may take 1-2 minutes to complete.

Note: Heat pump control board set points will be shown as “N/A” and will be functionality disabled. For more information, refer to the IntelliTouch User’s Guide (P/N 520102) or the EasyTouch User’s Guide (P/N 520584) or the EasyTouch Wireless System User’s Guide (P/N 520688).

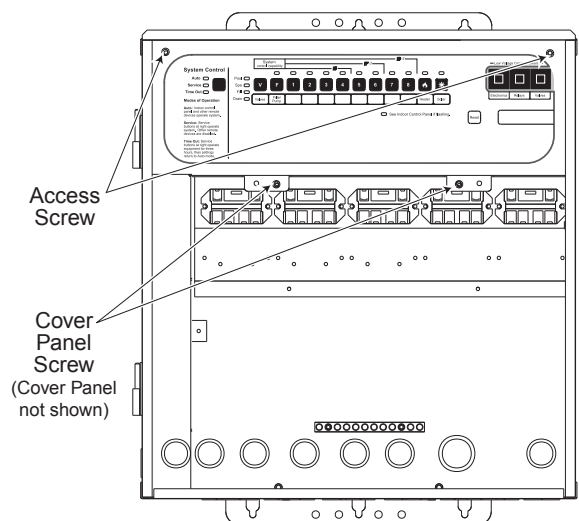
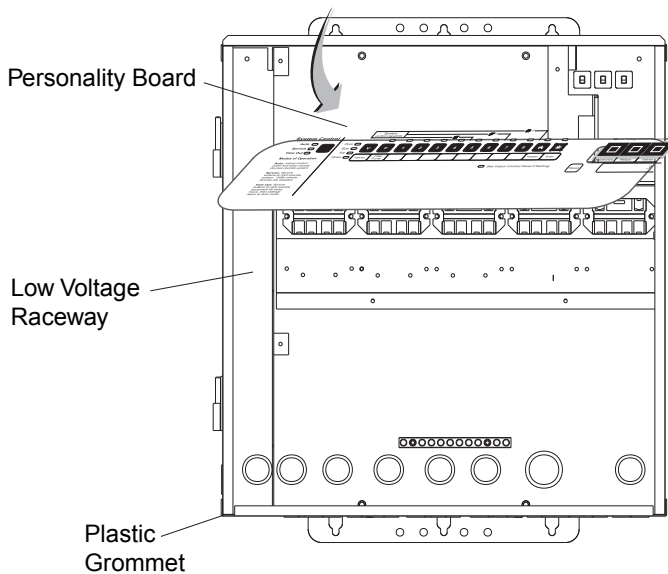
Connection from heat pump board to the IntelliTouch or EasyTouch system is via the optional four-wire cable (P/N 520199).

To connect the heat pump board cable to the IntelliTouch or EasyTouch load center:

1. Unlatch the IntelliTouch or EasyTouch load center front door spring latches, and open the front door.
2. Remove the cover-panel screws securing the high voltage cover-panel, and remove it from the enclosure.
3. Loosen the two control panel access screws and fold down the outdoor control panel.
4. Insert the four-wire cable into plastic grommet on the bottom of the enclosure and route the wire up through the low voltage raceway to the Personality board.
5. Strip back the cable conductors ¼ in. Insert the wires into either of the COM PORTS (J7 and J8) screw terminals located on the left side of the Personality board. Secure the wires with the screws. For wiring details, refer to the pin configuration as shown on page 15.

Note: Multiple wires may be inserted into single screw terminal.

6. Close the IntelliTouch control panel and secure it with the two access screws.
7. Install the high voltage panel cover and secure it with the two retaining screws.
8. Close the load center front door and secure with the two latches.
9. Switch power on to the IntelliTouch load center.

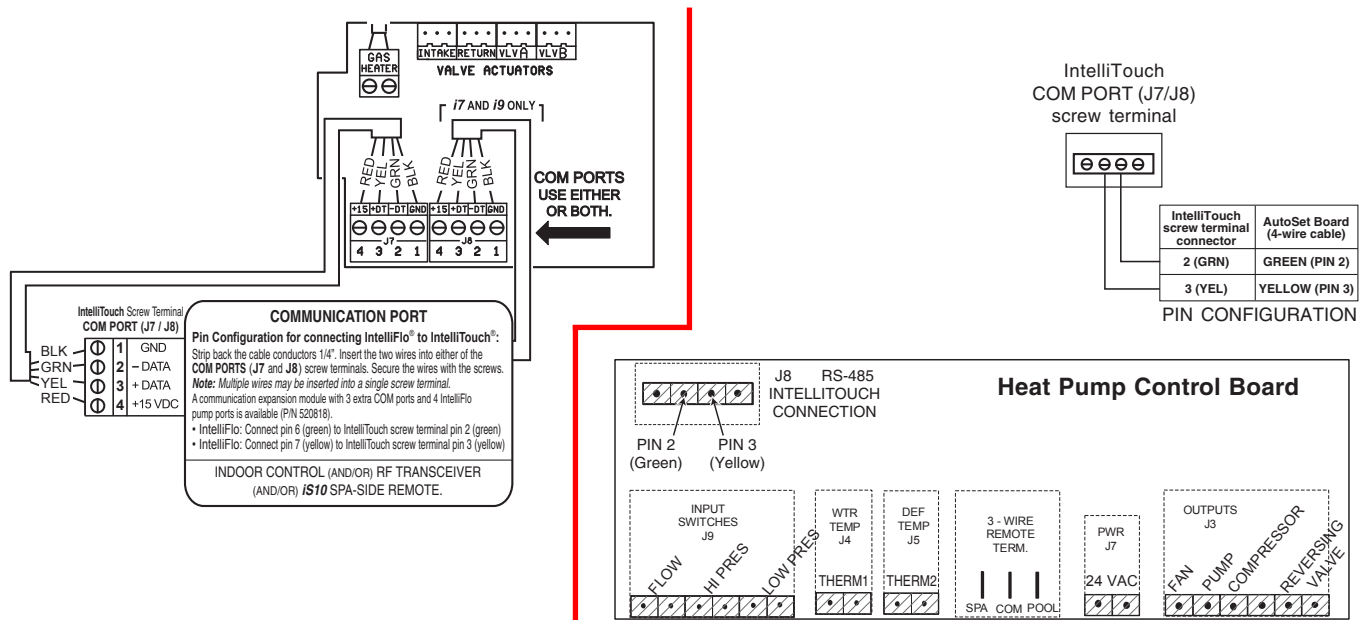


IntelliTouch Load Center

Pin Configuration for the Heat Pump Control Board to IntelliTouch® Control System

- Heat Pump Control Board: Connect pin 2 (green) to IntelliTouch screw terminal pin 2 (green).
- Heat Pump Control Board: Connect pin 3 (yellow) to IntelliTouch screw terminal pin 3 (yellow)

IMPORTANT — Do **NOT** use pin 1 (black) or pin 4 (red) on the AutoSet board or the IntelliTouch mother board.



Connecting the IntelliTouch or EasyTouch to Heat Pump

- Turn off the power to both the remote pool/spa control system and the UltraTemp® Heat Pump.
- Remove the front left panel of the heat pump cabinet, (you do not need to remove the star-head screw at the top left corner).
- Remove the electrical service panel to the heat pump. Remove the 4 bezel retaining screws from above the electrical compartment and rotate the bezel downward. This will allow you to access the Remote terminals on the back of the heat pump control board for the remote control installation.
- Run the wires from the pool/spa remote control system into the upper electrical compartment.
- Connect the wiring from the IntelliTouch Personality Board COM PORT to the RS-485 IntelliTouch connection (J8) on the heat pump control Board. Connect the green wire to J8 pin 2 and yellow wire to J8 pin 3. Do NOT use pin 1 (red) or pin 4 (black) wires. The connections are shown in the image above.
- Rotate the bezel back upwards into position and reinstall the 4 retaining screws.
- Replace the electrical service panel.
- Replace the front left panel.
- Restore power to the heat pump and the pool/spa remote control system.
- Press the MENU SELECT button to scroll to the Remote Mode screen. Toggle the selection by pressing one of the arrows until the screen displays "RS-485."
- Once the heat pump has been correctly configured, a "heartbeat" indicator will appear on the main screen each time a message is received from the automation system.

POOL HEATING F ★ [] - - - Heartbeat Indicator
 SET= N/A ACT= 74

Note: If the system is put into Service Mode at the automation control panel the heat pump will neither heat nor cool, although it will remain powered on.

OPERATING THE HEAT PUMP



Do not use this heat pump if any part has been under water. Immediately call a qualified service technician to inspect the heater and replace any part of the control system which has been under water. Keep all objects off the top of the heat pump. Blocking air flow could damage the unit and may void the warranty.

ATTENTION - INITIAL START UP PRECAUTIONS

After the water pressure switch is activated there is a one minute temperature sensing delay then if there is a call for heat or cool the fan will turn on and there will be an additional 5 minute delay for the compressor to start. Be sure that there is water in the pool and that the surface level is above the skimmer or other inlets of the pool's filter system.

The pool pump must be on and water flowing through the heat pump for it to operate.

With any new pool or spa installation, operate the filter pump with the heat pump off long enough to completely clean the water. This will remove any installation residue from the water. Clean the filter at the end of this operation before starting the heat pump. When raising the temperature of a cold pool, program the time clock to run the pump continuously. This lets the filter system and heat pump operate continuously until the water reaches the temperature setting on the temperature control. When that happens, the heat pump will automatically shut off, but the filter pump will keep running.

Swimming Pool Energy Saving Tips

It is important to note that an UltraTemp® Heat Pump will not heat a pool as fast as a large gas or electric pool heater. If the pool water is allowed to cool significantly, it may take several days to return to the desired swimming temperature.

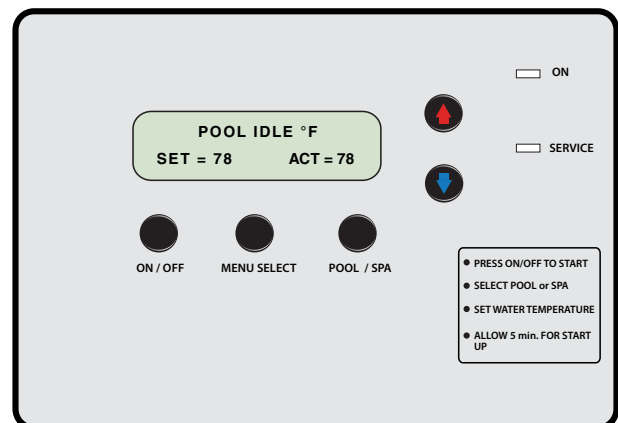
For weekend use, it is more economical to maintain the water temperature at or near the desired temperature. For extended non-use, turn the heat pump completely off or decrease the temperature setting of the control several degrees to minimize energy consumption.

Pentair offers the following recommendations to help conserve energy and minimize the cost of operating your heat pump without sacrificing performance.

1. The American Red Cross recommends a maximum water temperature of 78°F [25°C]. Use an accurate pool thermometer. A difference of 4°F. [2°C], between 78°F and 82°F [26°C and 28°C], will significantly increase energy consumption.
2. Carefully monitor the water temperature of your pool in the summertime. You can reduce heat pump usage due to warmer air temperatures.
3. During the winter or when on vacation for longer than a week, turn off the heat pump.
4. Find the proper setting on the heat pump temperature control and use the Keypad Lock function to discourage further adjustments.
5. Where possible, shelter the pool from prevailing winds with well-trimmed hedges or other landscaping, cabanas, or fencing.
6. Pentair recommends the use of a pool cover. Besides providing a valuable safety feature, a pool cover will reduce heat loss, conserve chemicals, and reduce the load on filter systems.

Heat Pump Control Panel Overview

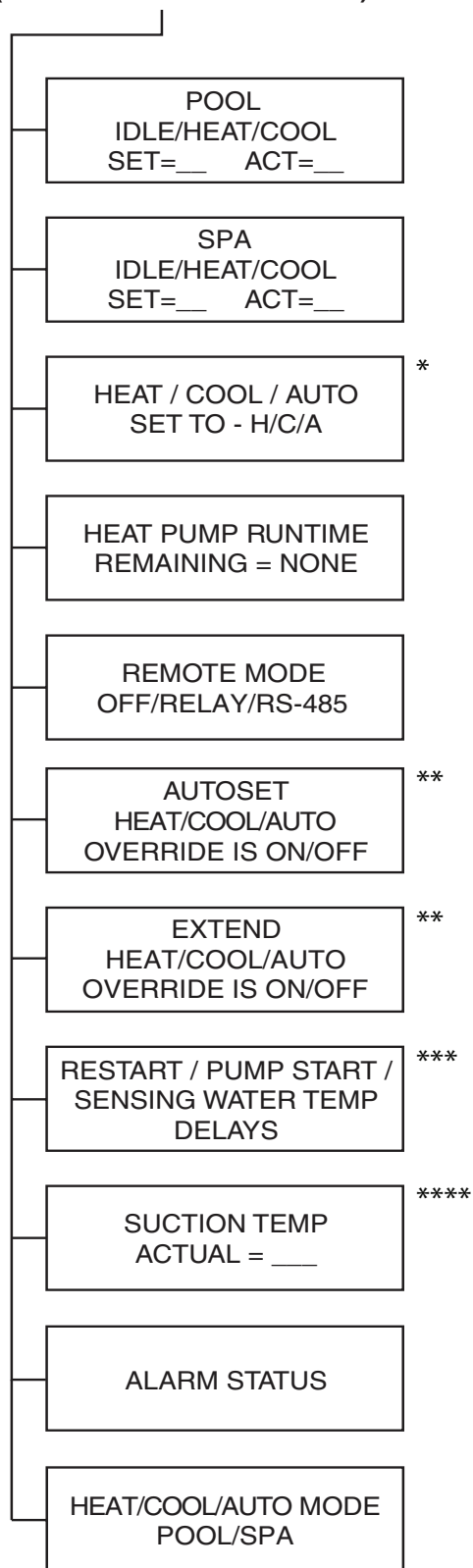
1. **ON/OFF** button – Turns the heat pump ON and OFF.
2. **MENU SELECT** button – Displays Operator Menu Screens; also used to scroll through these menus.
3. **POOL/SPA** button – If pressed once, the current heat, cool or auto mode will be displayed along with the active set point, pool or spa.
Pressing again will toggle between the pool or spa set point screens. The operator can also toggle between the pool and spa set point by using the UP and DOWN arrows.
4. **UP and DOWN Arrow** buttons – The UP and DOWN arrows will raise or lower the temperature set point if pressed while the run screen is displayed. They are also used to scroll through the various parameter values on the Operator Menus and Service Menu screens.
5. **LCD SCREEN** – Displays water temperature, set point temperature and heat pump parameters.
6. **ON Light** – Shows the heat pump is on.
7. **SERVICE Light** – Lit if alarm condition exists.



Heat Pump Control Panel

Operator Menu Tree Guide

(Press MENU SELECT Button)



* Menu appears only if Heat and Cool mode is enabled at the factory.

** Menu appears only if AutoSet or Extend is enabled in the Service menu.

*** Menu appears only if a delay is active.

**** Menu appears only if Defrost is enabled in the Service menu.

Navigating the Operator Menu Screens

Press the MENU SELECT button to view each screen. While in the menu screens, if no activity is detected after 15 seconds, the main screen is displayed.

1. Pool and Spa Run Screens

Displays whether the heat pump is idle, heating or cooling and if the Pool or Spa set point is active. Displays the water temperature set point and the actual measured water temperature.

* 2. Heat or Cool Mode Selection Screen

This screen is only shown on Heat-and-Cool heat pumps. This screen allows the operator to switch the heat pump between Heat-only, Cool-only and Auto Heat/Cool modes.

3. Heat Pump Timer Screen

This feature is an adjustable timer to allow the heat pump to run (green light ON) for a predetermined amount of time and then turn OFF (green light OFF).

4. Remote Mode Screen

Allows the operator to select the Remote mode, Off, Relay or RS-485 (serial). In RS-485 Remote mode, the heat pump is controlled by an automation controller. The local Pool and Spa set points are not active (displayed as "N/A") in this mode.

** 5. AutoSet On/Off Screen

This screen is only shown if the AutoSet mode is enabled in the Service Menu Tree; it allows the operator to turn the AutoSet mode On and Off. AutoSet mode energizes a contactor for one cycle and starts a remote filter pump which allows the heat pump to heat or cool the water as necessary.

** 6. Extend On/Off Screen

This screen is only shown if the Extend mode is enabled in the Service Menu Tree; it allows the operator to turn the Extend mode On and Off. Extend mode energizes a contactor for one cycle and starts a remote filter pump which allows the heat pump to heat or cool the water as necessary.

*** 7. Time Delay Screen

If the heat pump is waiting on any restart, pump start, or sensing water temperature delays, this screen shows how much delay time is left.

**** 8. Suction Temperature Screen

Shows the suction line temperature of the refrigerant. This screen appears if the Defrost is enabled.

9. Alarm Screen

Shows if an alarm condition is present. If no alarms are present the screen will display ALARM STATUS NONE. The control board has the ability to store a 30 Alarm history of previous alarms that have occurred. At the alarm status screen, press the DOWN arrow. The first alarm will be the most recent alarm that has occurred. Successive presses (up to 30) of the DOWN arrow will display the alarm history in the order of occurrence. The operator can scroll back up using the UP button. There is an option to erase the history.

10. Operation Mode Screen

Displays whether the heat pump is in Heat, Cool or Auto mode. It also displays whether the Pool or Spa set point is active. The active set point can be switched between Pool and Spa by using the UP and DOWN arrows.

Using the Control Panel

Starting and Stopping the Heat Pump

The UltraTemp® Heat Pump is started and stopped with the ON/OFF button.

1. Starting - With power supplied to the heat pump, press the ON/OFF button to start the heat pump. The ON light should be lit.
2. Stopping - Press the ON/OFF button to stop the heat pump; the ON light will turn off. The screen shown below will be displayed temporarily.

PENTAIR AQUATICS
HEAT PUMP OFF

Changing the Set Point (Temperature)

The control board has two independently adjustable temperature set points. One is for the pool temperature control and the other is for the spa temperature control. The active mode of operation (Pool or Spa) is defined as the “active” set point.

1. Press the MENU SELECT button repeatedly until the associated run screen is displayed. Press the UP or DOWN arrows to adjust the pool or spa temperature set point.
SET= ___ - Set point
ACT= ___ - Actual measured water temperature
2. The screen automatically returns to the active run screen after 15 seconds of keypad inactivity.

POOL
IDLE/HEAT/COOL
SET=___ ACT=___

Heat, Cool, and Auto Modes

Certain models have the ability to both heat and cool. These heat pumps can be setup to operate in any one of three modes (Heat Only, Cool Only, or Auto Heat and Cool).

In Auto mode, the heat pump automatically switches between heat and cool based on whether the water temperature is below or above the active set point.

1. If the cooling option is available, press the MENU SELECT button repeatedly until the Heat/Cool/Auto screen displays.
2. Press the UP or DOWN arrows to scroll through the heat, cool and auto options. The last option shown on the display becomes active.

Heat Pump Timer

This feature is an adjustable timer to allow the heat pump to run for a predetermined amount of time (green light ON) and then turn OFF (green light OFF).

During the selected time frame, the green light is ON and the heat pump functions in the normal mode of operation. When time expires the green light turns OFF and the heat pump turns off. Countdown time is in hours and minutes.

To activate the Heat Pump Timer:

1. Press MENU SELECT repeatedly until the Heat Pump Timer screen is displayed.
2. Press UP or DOWN arrows to set the amount of time (range of 10 minutes to 99 hours). Timer adjusts in increments of 10 minutes.
If the heat pump is not already on, setting the timer will activate and start the heat pump.

3. The user can also change the time while it is active using the arrow buttons, but only if Remote mode is OFF. Setting Remote Mode to RELAY or RS-485 disables the Heat Pump Timer at the control panel.
4. Any RS-485 communication received will reset the timer to zero. The RS-485 overrides the Heat Pump Timer operation.
5. The timer can be disabled by pressing the DOWN arrow and POOL/SPA buttons at the same time, or by pressing the ON/OFF button.

HEAT PUMP RUNTIME
REMAINING = NONE

Relay Remote

In Relay Remote operation, the heat pump is started and stopped by remote relays which are connected to the remote POOL, COMMON and SPA quick connect terminals on the back of the control board. When conductivity is provided between the POOL and COMMON terminals or the SPA and COMMON terminals, the heat pump will start. All other features and functions (except for the Heat Pump Timer) are still active. The heat pump will not heat above 104°F or cool below 45°F (40°C - 7.2°C).

To activate the Relay Remote Mode:

1. Press MENU SELECT repeatedly until the Remote Mode screen is displayed. Once displayed, press the UP or DOWN arrows to select RELAY. The last option shown on the display becomes active.
2. Press MENU SELECT repeatedly until the Heat/Cool/Auto Mode Screen is displayed. Press the UP or DOWN arrows to toggle between HEAT, COOL and AUTO. Select HEAT or COOL. AUTO is not a valid selection while the heat pump is in Relay Remote mode operation.

REMOTE MODE
RELAY

RS-485 Remote (Serial Cable)

See IntelliTouch® or EasyTouch® Control System Installation User's Guides for additional setup instructions.

In RS-485 Remote mode, the heat pump is started and stopped via a serial RS-485 communications link with a Pentair automation controller. This means the remote automation controls override the heat pump's local set point. The high and low temperature faults are still active; the heat pump will not heat above 104°F or cool below 45°F (40°C - 7.2°C).

Note: If the system is put into Service Mode at the automation control panel the heat pump will neither heat nor cool, although it will remain powered on.

To activate the RS-485 Remote mode:

1. Press MENU SELECT repeatedly until the Remote mode screen is displayed. Once displayed, press the UP or DOWN arrows to select RS-485.

REMOTE MODE
RS-485

To use the RS-485 Remote mode, the Intell Address screen from the Service Menu Tree must be assigned to the proper address. One (1) is the most commonly used address.

The address on the Intell Address screen must match the address assigned to the heat pump. The heat pump address can be changed from the Service Menu as described below:

1. Press the UP and DOWN arrows simultaneously. The Language Selection screen should be displayed.

LANGUAGE/IDIOMA
SELECTED - ENGLISH

2. Then press the MENU SELECT button repeatedly until the Intell Address screen is displayed. Once displayed, press the UP or DOWN arrows to select the address being used in the automation controller. The last address shown on the display will become active.

INTELL ADDRESS
ADDRESS = 1-16

3. Once the heat pump has been correctly configured, a "heartbeat" indicator will appear on the main screen each time a message is received from the automation system.

POOL HEATING F ★ · · · · · Heartbeat
SET= N/A ACT= 74 Indicator

AutoSet

The AutoSet feature periodically energizes a contactor which can be connected to activate the filter pump. The heat pump can now start and stop the filter pump independent of the time clock, allowing the heat pump to circulate water and sense water temperature. Enable this feature any time the filter pump is off.

If the temperature is not at the desired level, the heat pump starts and runs until the water reaches the desired temperature. The filter pump and the heat pump will stop when the water reaches the desired temperature.

AutoSet allows you to set the time interval between the end of the circulation cycle and when the heat pump reactivates the filter pump to sense the water temperature.

To use this feature:

Be sure the water circulation pump is wired in parallel with a mechanical time clock, using the auxiliary relay supplied in the high voltage power panel of the heat pump.

To enable the AutoSet feature:

1. Press the MENU SELECT button repeatedly until the AutoSet screen is displayed.
2. Press the UP or DOWN arrows to toggle between the ON and OFF options.
3. Set the interval (1-4 hours) from the Pump Start Time menu within the Service Menu tree to control when the heat pump sends a signal to check the water temperature.

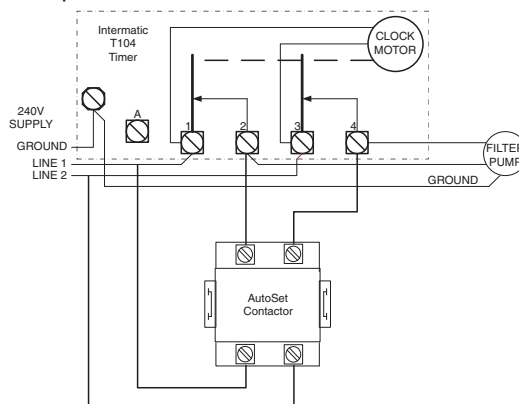
For example, if you select a Pump Start Time interval of four (4) hours, have the AutoSet feature enabled and have AutoSet Override set to ON, this is the sequence of events that will happen:

1. The heat pump displays a countdown window after the filter pump shuts off.

PUMP START DELAY
REMAINING 4:00

2. After four (4) hours, heat pump will switch on and start the filter pump to sense the water temperature.

3. If the pool temperature has fallen below your Set Point, the heat pump will turn on and begin heating the pool. If the pool temperature is above the Set Point, the heat pump and filter pump will shut off.
4. At the time the water circulation pump shuts off, the heat pump will reset and begin the countdown interval and display 'Pump Start Delay' again.
5. The heat pump will continue this cycle every time the water circulation pump is shut off.
6. Once the time clock turns on in the morning, the heat pump will stop the AutoSet feature and resume normal operation.



AutoSet Contactor to Mechanical Timer Wiring Example

Notes:

1. Mechanical timer is not provided with the heat pump.
2. Example only, other timers will be similarly wired.
3. Be sure that the electrical power lines are not crossed when making connections.

Extend

The Extend feature can energize a contactor which can be connected to activate the filter pump. This allows the heat pump to start and stop the filter pump independent of the time clock, allowing the heat pump to circulate water and sense water temperature.

If the temperature is not at the desired level, the heat pump starts and runs until the water reaches the desired temperature. The filter pump and heat pump will stop when the water reaches the desired temperature.

To use this feature:

Be sure the water circulation pump is wired in parallel with the mechanical time clock and the auxiliary relay installed on the high voltage panel of the heat pump.

To enable the Extend feature:

1. Press the MENU SELECT button repeatedly until the Extend screen is displayed.
2. Press the UP and DOWN arrows to toggle between the ON and OFF options.

For example, if you have the Extend feature enabled and the Extend Override set to ON, this is the sequence of events that will happen:

1. After the filter pump shuts off, the heat pump immediately senses the water temperature.
2. If the water temperature is below the Set Point the heat pump will start the filter pump and begin heating the pool. If the water temperature is above the Set Point the heat pump and filter pump will shut off.
3. Once the time clock restarts the filter pump, the heat pump will stop the Extend feature and resume normal operation.

Timers And Delays

1. Water Sensing Timer

One (1) minute timer to allow water from the pool to reach the UltraTemp® Heat Pump before acquiring temperature. This timer initiates when water first begins to run from stopped or low water flow conditions or when the heat pump is turned ON. Countdown time is in Minutes and Seconds.

SENSING WATER TEMP
REMAINING = 1:00

2. Restart Delay Timer

Five (5) minute timer is a protection feature for the heat pump's compressor. This extends the life of the compressor by not allowing it to cycle on and off rapidly, (i.e. adjusting set point up and down around actual temperature). Countdown time is in minutes and seconds.

RESTART DELAY
REMAINING = 5:00

3. Defrost Delay Timer

Fifteen (15) minute timer where the Heat pump is in Defrost operation. Countdown time is in minutes and seconds. Refer to page 22 for more details on the defrost cycle.

DEFROST DELAY
REMAINING = 15:00

4. Pump Start Delay

One to four (1-4) hour timer used in conjunction with the AutoSet feature. Counts down the time until the control board will energize the internal contactor in the heat pump. Countdown time is in hours and minutes. See AutoSet section for more details.

PUMP START DELAY
REMAINING 4:00

5. Heat Pump Runtime Timer

This feature is an adjustable timer to allow the heat pump to run (green light ON) for a predetermined amount of time and then turn OFF (green light OFF). During the selected time frame the green light is ON and the heat pump will function in the normal mode of operation and/or the operator can change set points, functions, etc. The heat pump's green light will turn OFF and the heat pump will stay OFF when time expires.

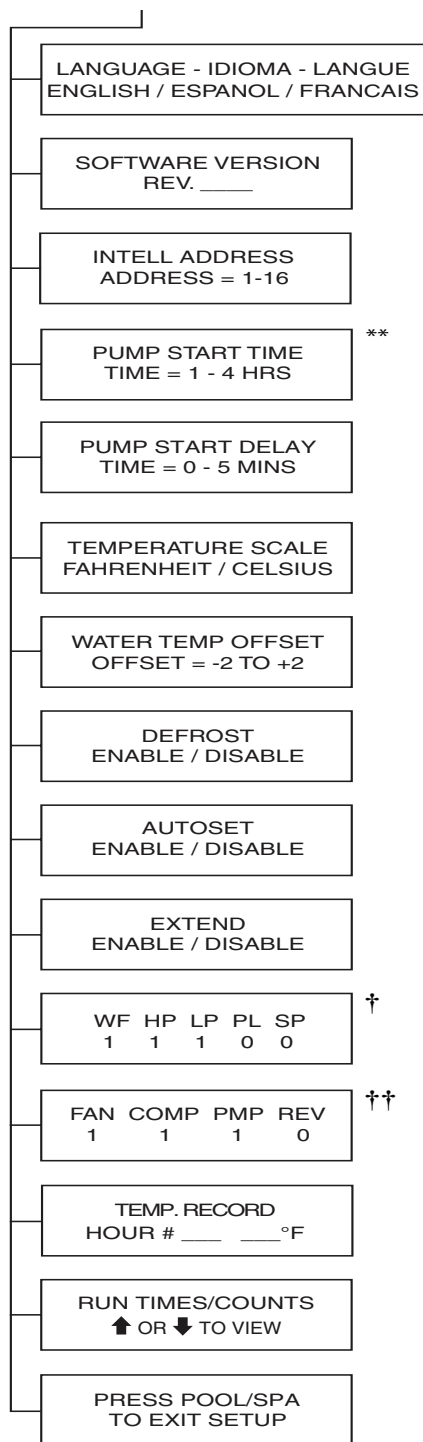
HEAT PUMP RUNTIME
REMAINING = NONE

Control Panel Alarm Messages

HIGH WATER TEMP	Water temperature is above 107°F [41.7°C].
LOW WATER TEMP	Water temperature is below 40°F [4.4°C].
LOW WATER FLOW	The pressure switch sensing water flow is open.
REMOTE POOL/SPA	Pool and Spa relay remote inputs are simultaneously energized.
WATER THERM SHORT	Water temperature thermistor circuit shorted.
WATER THERM OPEN	Water temperature thermistor circuit open.
SUCTION TH SHORT	Defrost thermistor circuit shorted
SUCTION TH OPEN	Defrost thermistor circuit open.
LOW AMBIENT TEMP	Air temperature is too low for heat pump operation.
BROWNOUT	The 24 VAC supply voltage to the control board is low.
HIGH REFRIG	Refrigerant high pressure switch is open.
LOW REFRIG	Refrigerant low pressure switch is open.
SERIAL COMM LOST	Control board has not received a message from the automation controller for two (2) minutes.
FIVE ALARMS	Indicates that five (5) faults have occurred in one (1) hour. This fault will automatically reset in one (1) hour or can be manually reset by pressing the ON/OFF button.

Service Menu Tree Guide

(Press UP and DOWN Arrows Simultaneously)



** Menu appears only if AutoSet or Extend is enabled in the Service menu.

† INPUT STATUS

WF = WATER FLOW SWITCH
HP = HIGH REFRIGERANT PRESSURE SWITCH
LP - LOW REFRIGERANT PRESSURE SWITCH
PL - POOL REMOTE
SP - SPA REMOTE

†† OUTPUT STATUS

FAN - FAN
COMP - COMPRESSOR
PMP - FILTER PUMP
REV - REVERSING VALVE

The number one (1) is displayed when the associated input/output is ON and zero (0) is displayed when input/output is OFF.

Navigating the Service Menu Screens

Press the UP and DOWN arrows simultaneously. If no activity is detected after 15 seconds, the display will return to the main screen.

1. Language Selection

Displays the language selected. Select either English, Spanish or French using the UP and DOWN arrows.

2. Software Revision

Displays the software revision level loaded on the control board.

3. Intell Address

Heat Pump RS-485 Communications Address which must match the address used in the IntelliTouch or EasyTouch automation controller being communicated with. Adjustable from 1 to 16 using the UP and DOWN arrows.

** 4. Pump Start Time

This displays the period at which the heat pump will close the AutoSet contactor to start the filter pump. Adjustable from 1 to 4 hours using the UP and DOWN arrows.

5. Pump Start Delay

Displays the time period between heat pump start cycles. Adjustable from 0 to 5 minutes using the UP and Down arrows.

6. Temperature Scale

Determines if the water temperature actual reading and set point is displayed in degrees Fahrenheit or Celsius. Adjusted between Fahrenheit and Celsius using the UP and DOWN arrows.

7. Temp Offset

Adjusts the measured water temperature up or down to allow the operator to match the heat pump's displayed temperature to a remote temperature monitoring device. The offset can be varied from -2 to +2 using the UP and DOWN arrows.

8. Defrost Screen

Allows the user to Enable/Disable Defrost feature.

9. AutoSet Screen

Allows the user to Enable/Disable AutoSet feature.

10. Extend Screen

Allows the user to Enable/Disable Extend feature.

†† 11. Input Screen and Output Screen

The Input and Output screens are diagnostic displays which show the status of the input sensors and output devices. The number one (1) is displayed when the associated input/output is on and zero (0) is displayed when the associated input/output is off.

12. Temperature Log and Run Time Counters

These screens display a list of compressor, fan and valve run times, and a history of measured water temperatures. This information is provided so the user can easily track performance and troubleshoot issues.

13. Exit Set Up

Pressing the POOL/SPA button while this screen is displayed returns the display to the Pool or Spa Run Screen as appropriate.

Temperature Scale - C° or F°

The control board can display temperatures in either degrees Fahrenheit or Celsius. The temperature scale in use can be changed from the Service Menu tree as described below:

1. Press the UP and DOWN arrows simultaneously. The Language Selection screen should be displayed.
2. Then press the MENU SELECT button repeatedly until the Temperature Scale screen is displayed.
3. Press the UP or DOWN arrows to toggle between the Fahrenheit and Celsius options. The last option shown on the display will become active.

Water Temperature Offset

The control board provides the ability to increase or decrease the displayed water temperature by 2 degrees.

To change the temperature offset:

1. Press the UP and DOWN arrows simultaneously.
2. Press the MENU SELECT button repeatedly until the Temperature Offset screen is displayed.
3. Press the UP or DOWN arrows to select the desired offset. The last number shown on the display will become active.

TEMP OFFSET
OFFSET = -2 TO +2

Defrost Cycle

The UltraTemp® Heat Pump may enter a defrost cycle if air temperatures are around 50°F (10°C). To enter a defrost cycle the Defrost feature must be enabled in the Service Menus.

Passive Cycle

The passive defrost cycle initiates when the refrigerant sensor detects refrigerant temperature below the defrost set point. At this time, the heat pump compressor stops. The heat pump evaporator fan will continue to run, and will draw air over the evaporator fins for about 15 minutes.

If the refrigerant sensor detects a temperature above the defrost stop temperature, the compressor will restart. If defrost stop temperature is not reached within 15 minutes the unit will shut down and display a "Low Ambient Temp" alarm.

Note: The efficiency of a heat pump decreases as air temperature decreases. For maximum efficiency, operate the heat pump during the warmest time of day.

Run Time Counters

Details of the Run Time Counter abbreviations are listed below:

COMP = COMPRESSOR
FAN = EVAPORATOR FAN
REV VLV = REVERSING VALVE (COOLING CYCLE)
FLT PMP = FILTER PUMP (AUTOSSET/EXTEND FEATURE)
DEFROST = DEFROST FEATURE

RUN TIME = total time of the current cycle

LOG TIME = accumulated time of all cycles since the last time the unit was powered on

CYCLES = number of cycles since the last time the unit was powered on

WARRANTY HOURS = accumulated time of all cycles over the lifespan of the unit

WARRANTY CYCLES = number of cycles over the lifespan of the unit

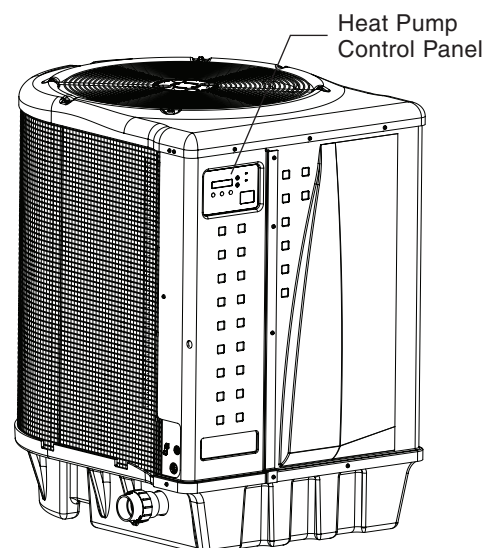
Press the UP and DOWN arrows to scroll through the Timers and Counters. The last screen provides an option to reset the Run Time, Log Time and Cycles counters. The Warranty Hours and Warranty Cycle Counter cannot be reset.

Locking the Control Panel

1. Heat pump control panel lock-out – To prevent unwanted adjusting or manipulating of the heat pump settings, the control panel can be locked. Once locked, if any button is pressed, the display will read:

HEAT PUMP
CONTROLS LOCKED

- To activate the control panel lockout, press the MENU SELECT and POOL/SPA buttons simultaneously.
- To unlock the control panel, press the MENU SELECT and POOL/SPA buttons simultaneously.



Water Chemistry

Proper chemical balances are necessary for sanitary bathing conditions as well as ensuring your heat pump's long life.

Be sure to keep your chemical and mineral concentration levels within the values indicated in the table below. Failure to maintain proper water chemistry may cause damage to the UltraTemp® Heat Pump and may void the warranty.

Optimal Water Chemistry Ranges

Test	Recommended Level
Free Chlorine <i>or</i>	1.0 to 3.0 ppm (3.0 to 5.0 spa)
Bromine	2.0 to 4.0 ppm (3.0 to 5.0 spa)
pH	7.4 to 7.6
Total Alkalinity (TA) Calcium, Lithium, and Sodium Hydrochlorite	80 to 100 ppm
Total Alkalinity (TA) Sodium Dichlor, Trichlor, Chlorine Gas, and Bromine Compounds	100-120 ppm
Calcium Hardness (CH)	200 to 400 ppm
Cyanuric Acid	30 to 50 ppm
Total Dissolved Solids (TDS)	Less than 2000 ppm
Copper	0 ppm
* Concentration levels taken from "Basic Pool and Spa Technology" published by NSPI (National Spa and Pool Institute).	

Winterizing



Failure to properly winterize could damage equipment and will void the warranty. Ensure both the inlet and outlet union are completely disconnected from the heat pump and that plumbing connections are positioned so that all water can freely drain from the heat pump.

In areas where freezing temperatures occur, you should protect your pump, filter, and heat pump from the elements. Perform the following steps to completely drain the heat pump.

1. Turn off the electrical power to the heat pump at the main breaker panel.
2. Shut off the water supply to the heat pump.
3. Disconnect the water inlet and outlet unions located on opposite sides of the heat pump.
4. Cover only the top of the heat pump to prevent debris from falling into the unit. Do not wrap the sides of the heat pump with any plastic or other material that will retain heat or moisture inside the unit.

Spring Start Up

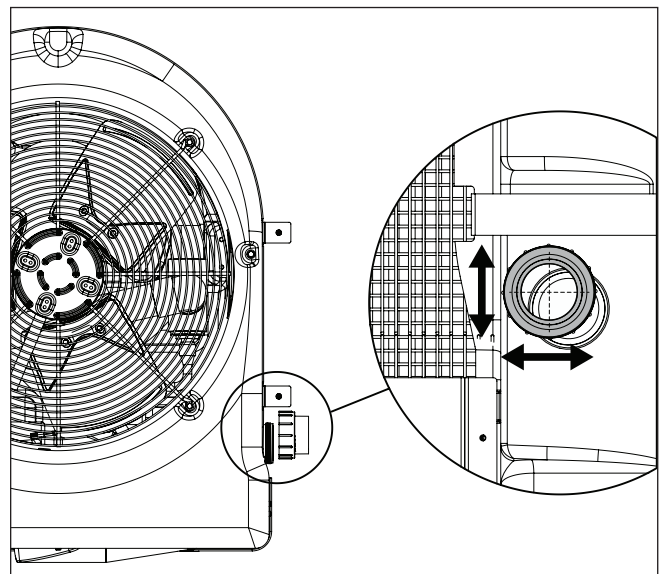
If your heat pump has been winterized, perform the following steps when starting the system in the Spring:

1. Uncover the heat pump and inspect the top and sides for any debris or structural problems.
2. Connect the water inlet and outlet unions on the sides of the heat pump.
3. Turn on the filter pump to supply water to the heat pump. Open the filter air bleeder and circulate water through the system long enough to bleed all the air out of the pool system. Check for leaks in and around the heat pump.
4. Turn on the electrical power to the heat pump at the main breaker panel.

Inspection and Service

Pentair Heat Pumps are designed and constructed to provide long performance life when installed and operated properly under normal conditions.

Periodic inspections are important to keep your heat pump running safely and efficiently through the years. Failure to properly maintain your unit can void the warranty.



Winterizing Plumbing Connections

Owner Inspection

Pentair recommends that you inspect your heat pump on a continual basis and especially after abnormal weather conditions. The following basic guidelines are suggested for your inspection:

1. Make sure the front of the unit is accessible for future service.
2. Keep the top and surrounding areas of the heat pump clear of all debris.
3. Keep all plants and shrubs trimmed and away from the heat pump.
4. Keep lawn sprinkler heads from spraying on the heat pump to prevent corrosion and damage.
5. If the unit is installed under a roof edge, install a gutter or diverter to prevent excessive water and debris from pouring down into the unit.
6. Do not use this heat pump if any part has been under water. Immediately call a qualified professional technician to inspect the heat pump and replace any part of the control system which has been submerged.

The heat pump will produce condensation (water) while in operation. The heat pump base is designed to allow the condensation to exit through the bottom drain port when the unit is running. The condensation will increase as the outdoor air humidity level increases. Check the following at regular intervals to ensure proper condensate drainage:

1. Visually inspect and clear the bottom drain ports of any debris that could clog the ports.
2. Keep the top air flow discharge and air flow intake area clear of debris so the air flow through the heat pump is not restricted. The cooler discharge air from the top should not accumulate and be drawn into the side air intake coils.
3. Be sure the condensate run-off is properly directed away from the equipment pad to keep it from undermining the pad.
4. Be sure the condensate water does not puddle inside the heat pump. To be sure it is condensate water, check for the absence of chlorine.

During normal operation, the heat pump produces three to five gallons of condensate per hour. If condensate drainage is above this range during operation or if water continues to drain from the base when the heat pump is not in operation for more than an hour, a leak in the internal plumbing may have occurred. Call a qualified heat pump technician to investigate the problem.

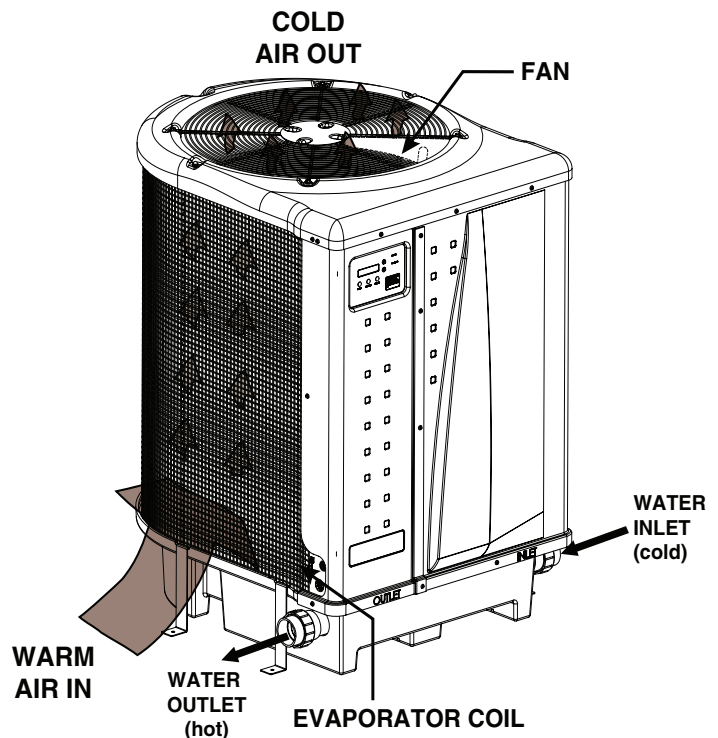
Professional Maintenance and Service

The maximum heat output and efficiency of a heat pump is dependent upon the quality and performance of the major components used. Equally important are the environmental conditions (for example, air temperature, humidity, water temperature, and wind).

To maintain maximum performance and efficiency, keep the air coil clean from dirt and debris. It is recommended to clean your air coil once a year by flushing the coil with compressed air or hosing off the coil with a garden hose.

Care should be taken to not bend the coil fins as this will restrict the airflow and lower your heat pump performance. Compressed air can also damage the heat pump coil. **DO NOT USE A PRESSURE CLEANER ON THE UNIT.**

The heat pump should be maintained at least once a year by qualified personnel to maintain maximum performance and efficiency. The unit should be powered off during maintenance.



Typical Heating Cycle

TECHNICAL INFORMATION

Electrical Supply - Voltage Requirements

Models	70	90	110	120	120 H/C	140	140 H/C	120C	140C
	Voltage/Phase/Hz	208-230/1/60	208-230/1/60	208-230/1/60	208-230/1/60	208-230/1/60	208-230/1/60	208-230/1/60	208-230/3/60
Min. Circuit Ampacity (Amp)	33	40	42	42	42	43	43	34	35
Recommended Fuse Size	40	50	50	50	50	50	50	50	50
Max Fuse Breaker Size	50	60	70	70	70	70	70	60	60
Compressor/Fan Motor/System RLA	25/2/27	31/2/33	32/2/34	32/2/34	32/2/34	32/3/35	32/3/35	25/2/27	25/3/28
Compressor/Fan Motor/System LRA	134/4/138	178/4/182	148/4/152	185/4/189	185/4/189	185/11/196	185/11/196	164/4/168	164/11/175
Compressor/Fan Motor/System MCC	39/NA/NA	49/NA/NA	50/NA/NA	50/NA/NA	50/NA/NA	50/NA/NA	50/NA/NA	39/NA/NA	39/NA/NA
Capacity (Btu/h) 80A-80RH-80W *	75,000	90,000	110,000	127,000	125,000	145,000	140,000	122,000	140,000
COP 80A-80RH-80W *	5.9	5.8	6.1	5.7	5.5	5.8	5.6	5.5	5.7
Power Input, KW (80A-80RH-80W) *	3.8	4.6	5.3	6.5	6.6	7.2	7.3	6.5	7.1
Current, Amp (80A-80RH-80W) *	18	21	26	30	31	33	34	19	21
Capacity (Btu/h) 80A-63RH-80W **	70,000	85,000	101,000	120,000	118,000	135,000	132,000	114,000	130,000
COP 80A-63RH-80W **	5.7	5.6	5.8	5.5	5.3	5.6	5.4	5.3	5.5
Power Input, KW (80A-63RH-80W) *	3.6	4.5	5.1	6.4	6.5	7.0	7.2	6.3	7.0
Current, Amp (80A-63RH-80W) *	17	20	25	29	30	32	33	19	21
Capacity (Btu/h) 50A-63RH-80W ***	50,000	60,000	70,000	80,000	80,000	90,000	85,000	76,000	85,000
COP 50A-63RH-80W ***	4	4	4	4	4	4	4	4	4
Power Input, KW (50A-63RH-80W) *	3.6	4.4	5.3	6	6	6.4	6.2	5.7	6.2
Current, Amp (50A-63RH-80W) *	17	19	24	27	28	29	29	18	21
Shipping Weight (lbs) ****	250	250	270	270	278	320	320	280	320
Shipping Size (L x W x H)	43"x34"x39"	43"x34"x39"	43"x34"x51"	43"x34"x51"	43"x34"x51"	43"x34"x46"	43"x34"x46"	43"x34"x51"	43"x34"x46"

* 80A-80RH-80W: 80° F Air Temp, 80% RH, 80° F Water Inlet Temp.

** 80A-63RH-80W: 80° F Air Temp, 63% RH, 80° F Water Inlet Temp.

*** 50A-63RH-80W: 50° F Air Temp, 63% RH, 80° F Water Inlet Temp.

**** Add 50 lbs. for Pallet and Packaging.

COP = Coefficient of Performance

If voltage drops below 208V, this may damage the heat pump and void the warranty. Take proper steps to ensure correct voltage at the heat pump during operation.

Temperature Resistance Chart

*Temperature Resistance Chart									
°F	OHMS	°F	OHMS	°F	OHMS	°F	OHMS	°F	OHMS
0	85,387	51	19,377	66	13,136	81	9,076	96	6,382
10	62,479	52	18,870	67	12,809	82	8,861	97	6,238
20	46,225	53	18,377	68	12,491	83	8,651	98	6,097
30	34,561	54	17,899	69	12,182	84	8,447	99	5,960
40	26,100	55	17,435	70	11,882	85	8,249	100	5,827
41	25,391	56	16,985	71	11,589	86	8,056	101	5,697
42	24,704	57	16,548	72	11,305	87	7,867	102	5,570
43	24,037	58	16,123	73	11,029	88	7,684	103	5,446
44	23,391	59	15,711	74	10,761	89	7,506	104	5,326
45	22,764	60	15,310	75	10,500	90	7,333	105	5,208
46	22,156	61	14,921	76	10,246	91	7,164	106	5,094
47	21,566	62	14,543	77	9,999	92	6,999	107	4,982
48	20,993	63	14,176	78	9,758	93	6,839	108	4,873
49	20,438	64	13,820	79	9,525	94	6,683	110	4,664
50	19,900	65	13,473	80	9,297	95	6,530	120	3,758

The table below should be used by trained air-conditioning and refrigeration service people.

The table below **should not be used for adjusting the charge in the system.**

Use of interpolation or extrapolation of the table data may not be appropriate unless it is closely matched by the ambient and water flow conditions.

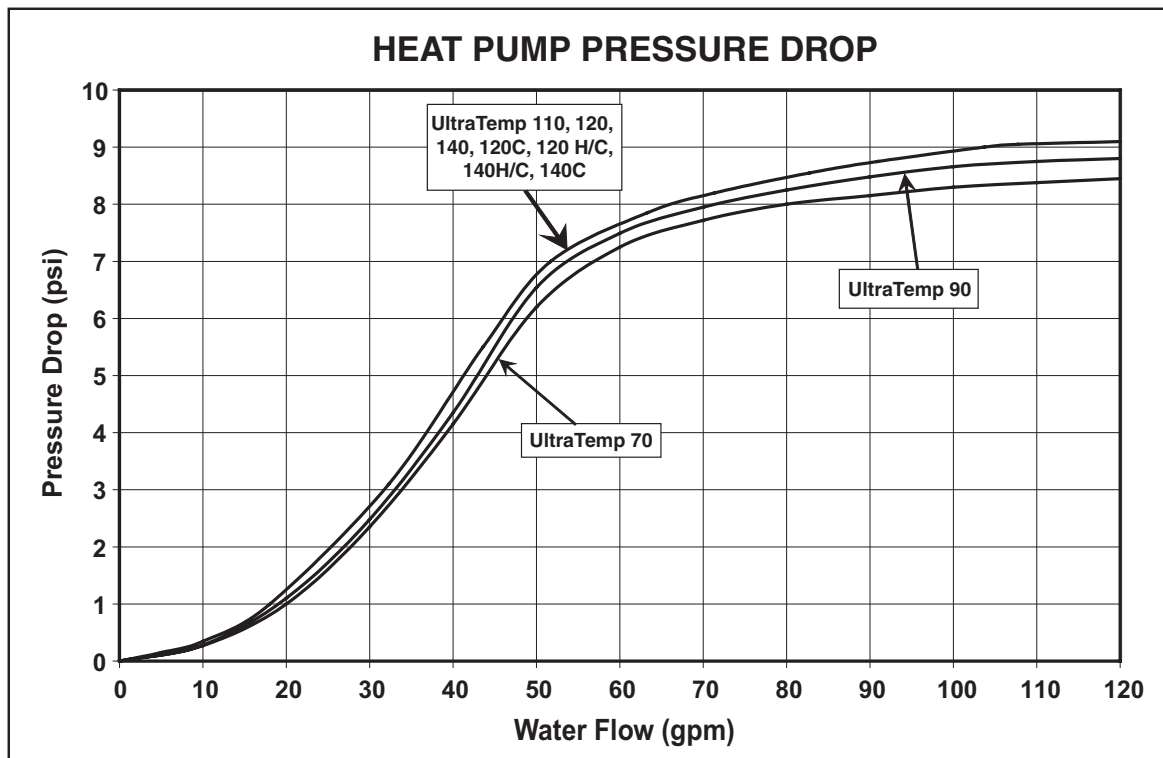
Air: 80F, 80%RH		Water: 80F, 45-50gpm	
Model	Discharge Pressure (psig)	Suction Pressure (psig)	Superheat (F)
HP500	359	134	14
HP700	348	132	14
HP900	355	142	10
HP1200	367	141	8
HP1200R	367	141	8
UltraTemp 70	329	156	19
UltraTemp 90	340	147	20
UltraTemp 110	343	164	11
UltraTemp 120	350	157	9
UltraTemp 120 H/C	378	157	10
UltraTemp 140	352	168	12
UltraTemp 140 H/C	377	170	10
UltraTemp 120C	354	150	12
UltraTemp 140C	365	168	13

Air: 80F, 63%RH		Water: 80F, 45-50gpm	
Model	Discharge Pressure (psig)	Suction Pressure (psig)	Superheat (F)
HP500	352	125	11
HP700	341	123	11
HP900	348	132	8
HP1200	360	131	6
HP1200R	360	131	6
UltraTemp 70	323	149	17
UltraTemp 90	330	138	18
UltraTemp 110	337	153	9
UltraTemp 120	344	146	7
UltraTemp 120 H/C	368	146	8
UltraTemp 140	345	158	10
UltraTemp 140 H/C	369	158	10
UltraTemp 120C	346	146	10
UltraTemp 140C	358	160	11

Air: 50F, 63%RH		Water: 80F, 45-50gpm	
Model	Discharge Pressure (psig)	Suction Pressure (psig)	Superheat (F)
HP500	330	83	5
HP700	320	81	4
HP900	325	85	4
HP1200	322	86	3
HP1200R	322	86	3
UltraTemp 70	313	97	7
UltraTemp 90	312	93	4
UltraTemp 110	324	92	4
UltraTemp 120	330	90	3
UltraTemp 120 H/C	336	90	3
UltraTemp 140	325	98	3
UltraTemp 140 H/C	327	100	3
UltraTemp 120C	318	89	4
UltraTemp 140C	320	97	4

Air: 80F, 63%RH		Water: 104F, 45-50gpm	
Model	Discharge Pressure (psig)	Suction Pressure (psig)	Superheat (F)
HP500	457	137	7
HP700	445	142	8
HP900	450	141	5
HP1200	478	135	6
HP1200R	478	135	6
UltraTemp 70	430	164	11
UltraTemp 90	440	152	8
UltraTemp 110	453	159	5
UltraTemp 120	450	152	4
UltraTemp 120 H/C	474	152	4
UltraTemp 140	461	163	8
UltraTemp 140 H/C	465	165	6
UltraTemp 120C	450	150	7
UltraTemp 140C	463	165	8

RH = Relative Humidity



TROUBLESHOOTING

⚠ WARNING



RISK OF ELECTRICAL SHOCK OR ELECTROCUTION. Improper installation will create an electrical hazard which could result in death or serious injury to pool users, installers, or others due to electrical shock, and may also cause damage to property. Do NOT attempt any internal adjustments inside the heater.

1. Keep your hands and hair clear of the fan blades to avoid injury.
2. If you are not familiar with your pool filtering system and heater:
 - a. Do NOT attempt to adjust or service without consulting your dealer, professional pool or air conditioning contractor.
 - b. Read the entire Installation & User's Guide before attempting to use, service or adjust the heater or pool filtering system. The water pressure switch should be adjusted to turn the heater off when the pump is off. Setting the switch to close at too low of a flow can damage the appliance. Adjust the switch to turn the heater off, not on.

Always turn power to the unit OFF before servicing or repair.

Note: Any service must be done by an authorized service agency person.

Problem or Symptoms	Possible Cause	Corrective Action
HIGH WATER TEMP Alarm: Water temperature above 107°F [41.7°C].	Bad thermistor or bad control board.	Test water temp to see if it is correct, if not, use the 10k ohm resistance test to verify thermistor. If bad, replace thermistor. If good, replace control board.*
LOW WATER TEMP Alarm: Water temperature below 40°F [4.4°C].	Bad thermistor or bad control board.	Test water temp to see if it is correct, if not, use the 10k ohm resistance test to verify thermistor. If bad, replace thermistor. If good, replace control board.*
	Debris is shorting the connections.	Remove debris or replace PCB.
LOW WATER FLOW Alarm: The pressure switch sensing water flow is open.	Water circulation pump not on.	Verify water circulation pump is on.
	Insufficient water flow.	Dirty or worn filters or clogged lint traps. Verify filter is clean, backwash if necessary to clean entire filter system or replace filter element if needed. Inspect & clean pump impeller. Adjust Plumbing valves. Repair suction air leaks.
	External bypass open.	Make sure external water bypass around heat pump is closed.
	Bad water pressure switch.	With water flowing, check resistance of water pressure switch, if open, replace switch.
REMOTE POOL SPA Alarm: Pool and Spa remote inputs are simultaneously energized.	Remote pool, spa, and common spade terminals on the back of the control board are all energized.	Modify automation control output so that only either the pool and common or spa and common terminals are energized.
WATER THERM SHORT Alarm: Water temperature sensor circuit is shorted.	Bad thermistor or bad control board.	Use the 10k ohm resistance test to verify thermistor. If shows shorted, replace thermistor. If good, replace control board.*
WATER THERM OPEN Alarm: Water temperature sensor circuit is open.	Bad thermistor, or bad control board.	Use the 10k ohm resistance test to verify thermistor. If shows open, replace thermistor. If good, replace control board.*
SUCTION TH SHORT Alarm: Defrost refrigerant temperature sensor circuit is shorted.	Bad thermistor or bad control board.	Use the 10k ohm resistance test to verify thermistor. If shows shorted, replace thermistor. If good, replace control board.*
SUCTION TH OPEN Alarm: Defrost refrigerant temperature sensor circuit is open.	Bad thermistor or bad control board.	Use the 10k ohm resistance test to verify thermistor. If shows an open, replace thermistor. If good, replace control board.*
BROWNOUT Alarm: The 24 VAC supply voltage to the control board is low. CAUTION: High Voltage Checks. Observe extreme caution or call dealer or factory for advice before attempting to Troubleshoot Electrical Box.	Bad transformer	Supply voltage to the transformer should be between 208 and 260 volts. Transformer should output between 24 and 28 volts. If below this range, replace transformer.
	Insufficient supply voltage to the heat pump.	Check supply voltage to the heat pump. Supply voltage should be between 208 and 260 volts. Check to see if a phase is out. Should have 120 volts to ground and 240 volts across power legs. A boost transformer may be needed closer to the heat pump to get voltages within proper range.

(*) Refer to 10K Ohm Temperature Resistance Chart on page 25.

Problems or Symptoms	Possible Cause	Corrective Action
HIGH REFRIG Alarm: Refrigerant high pressure switch is open.	Water circulation pump not on.	Verify water pump is on.
	Insufficient water flow.	Verify filter and skimmers are clean, backwash if necessary. Minimum flow 30 GPM [113.6 LPM].
	External bypass open.	Verify external water bypass around heat pump is closed. Also make sure all other valves are open or in the proper positions to allow proper water flow through heat pump.
	Bad refrigerant high pressure switch.	Check resistance of switch, if open, replace switch.
	TXV Stuck Closed.	1. Disconnect TXV bulb from suction line (SL), have it in your hand, if pressures go back to normal, then reinstall the bulb on suction line (it may have some debris stuck in the port). For adjustable TXVs open adjustable valve, it may remove the debris and set it back to original position. 2. If (1) does not work, recover the charge, remove bulb from SL, unscrew TXV head, shake it, if rattles, replace head (PN KT-45-ZGA), if not, replace TXV and filter dryer and charge appropriately.
	Other Possibilities:	Check Water level in pool. This condition may appear if the heat pump has NOT been operated for an extended period. To Clear this condition, cycle the heat pump on and off up to 3 times. If this does not correct problem, call for service.
	Other Possibilities. Low or restricted water flow through heater. Dirty or worn filters or clogged lint traps. Clogged filter pump impeller. Improper plumbing valve settings. Suction leak allowing air into the water flow. Low water flow when switched to spa mode. Unit is plumbed backwards. Heat exchanger clogged with debris. Internal bypass valve damaged or clogged with debris.	Clean entire filtering system and or replace filter element. Inspect & clean pump impeller. Adjust all plumbing valves. Repair suction air leaks, grease pump lid O-ring. Replace filter. Wrong filter pump pipe size. Automatic pool vacuum causing restriction. Call your dealer or factory for advice if above does not solve the problem.
Unit overcharged.	Reclaim charge. Recharge with appropriate nameplate charge.	
LOW REFRIG Alarm: Refrigerant low pressure switch is open.	Low refrigerant in system.	Find source of refrigerant leak and fix. Pull vacuum and recharge.
	Air and water temperatures too cold to operate the heat pump.	Wait until temperatures warm up and see if unit operates.
	Bad refrigerant low pressure switch.	Check resistance of switch with a full charge, if open, replace switch.
	Faulty fan.	Check the capacitor and fan motor. Replace either one if it is faulty. Check the fan blade and make sure it is not slipping or broken. If so, replace the fan.
	TXV Stuck Closed.	1. Disconnect TXV bulb from suction line (SL), have it in your hand, if pressures go back to normal, then reinstall the bulb on suction line (it may have some debris stuck in the port). For adjustable TXVs open adjustable valve, it may remove the debris and set it back to original position. 2. If (1) does not work, recover the charge, remove bulb from SL, unscrew TXV head, shake it, if rattles, replace head (PN KT-45-ZGA), if not, replace TXV and filter dryer and charge appropriately.
	Insufficient airflow through air coil	Remove surrounding debris or shrubs or heat pump maintenance by qualified personnel.
LOW AMBIENT TEMP Alarm: Refrigerant temperature sensor indicates air temperature is too low for heat pump operation.	Defrost cycle did not complete within allotted time	Wait until ice melts from evaporator coil and/or air temperatures rise.
	Bad thermistor.	View reported suction temperature on control board. Use 10k ohm resistance test to verify thermistor.
FIVE ALARMS: Indicates 5 faults have occurred in 1 hour. This fault will automatically reset in one hour or can be manually reset by pressing the ON/OFF button.	5 alarms of any kind within one hour.	Press the ON/OFF button to clear the alarm. Check Heat Pump over the next few minutes/hours to see if alarm appears again. This alarm most likely caused the five alarms in one hour.

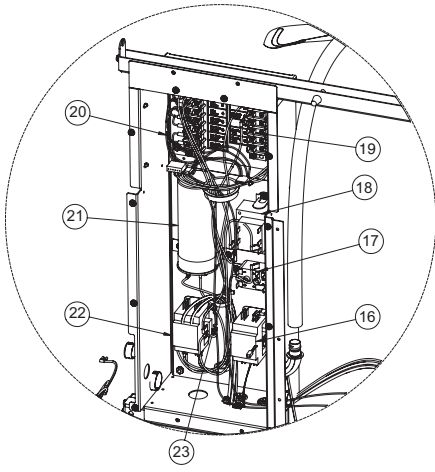
Problem or Symptoms	Possible Cause	Corrective Action
Unable to turn Heat Pump ON. Display is Blank. Unit will NOT start.	Control failure. No power supply to heater. Tripped breaker or blown fuse. Faulty Transformer. Incorrect Wiring.	Reset breaker. Replace fuse. Call dealer or factory for advice before attempting to replace parts. Replace Transformer. Check wiring.
Unit power is ON, green light ON, and Set Temperature is above Actual. Unit will NOT start to heat or cool. No Alarms.	Remote feature enabled, but no controlling device hook-up. Control failure. Heat pump not turned on.	Check to see if the Remote feature on the Control Board is enable. Disable if needed. See page 18 for more information on disabling Remote function. Call dealer or factory for advice before attempting to replace parts. Replace Control Board.
Unit power is ON, green light ON, and Set Temperature is above Actual. Unit will NOT start to heat. No Alarms.	Heat Pump pool/spa selection mode incorrect. The thermostat is malfunctioning. Control Board Failure.	Check to see if heat pump is in correct active pool/spa mode by pressing the pool/spa button. If active mode is spa, but trying to heat/cool pool press pool/spa button again to change the active mode to pool. If active mode is Pool, but want spa heat change active mode to spa. Call dealer or factory for advice before attempting to replace parts. Replace thermostat. Replace Control Board.
Unit power is ON, green light ON, and Set Temperature is above Actual. Unit cycles on and off, i.e. Compressor cuts on briefly and then off after Five minute delay before set point is reached.	Faulty Compressor. Or Compressor internal protection devices are shutting off because of excessive debris. Faulty Compressor contactor. Incorrect wiring. Control Board Failure. Internal bypass valve damaged or clogged with debris. Heat exchanger clogged with debris. Suction leak allowing air into the water flow. Unit is plumbed backwards.	Clean entire filtering system and or replace filter element. Inspect & clean pump impeller. Adjust all plumbing valves. Repair suction air leaks, grease pump lid O-ring. Replace filter. Wrong filter pump pipe size. Automatic pool vacuum causing restriction. Call your dealer or factory for advice if corrective action does not solve the problem. Possible Compressor's internal relief valve or overload protection device is faulty. Call dealer or factory for advice before attempting to replace parts. Replace Compressor.
Unit is forming ICE or Frost on the outer air coil, usually at the bottom.	Discharge air flow is restricted. Discharge air is accumulating and being drawn back through the outer air coil. The fan is obstructed, low air flow. Sprinklers spraying on the outer air coil during cooler temperatures. Outer air coil clogged with debris. Plants too close to heater, blocking discharge air flow. Low refrigerant pressure caused by a Refrigerant leak. Possible malfunctioning of the internal low refrigerant pressure switch. Check Alarm Status on Control Board for LOW REFRIG Alarm.	The outside air temperature too low and Defrost feature is NOT enable. Malfunctioning Defrost Thermistor. Make sure heater is installed with the required placement clearances for air flow and roof clearance. Do NOT install indoors. Make sure that your sprinklers do NOT spray on the heater in any way what so ever. If ice forms on the outer coil, shut the heater off and allow ice to thaw. You may use water at low pressure to thaw ice build up on the outer coil, shut the heater off when doing so. Call your dealer or factory for advice corrective action does not solve the problem.
Unit power is ON, and Set Temperature is above Actual. Fan is NOT Turning. No Alarms.	Faulty Fan Relay. Faulty Capacitor. Faulty Fan Motor. Control Board Failure. Incorrect wiring.	Call dealer for advice before attempting to replace parts. Replace Fan relay. Replace Capacitor, Replace Fan motor. Replace Control Board.
Fan is turning, no cool air discharge out of top of heater. Unit ON, and Set Temperature is above Actual, but Unit is not heating. No Alarms.	Heat Pump is in the five minute safety delay and Compressor has not started. Faulty Compressor. Faulty Capacitor. Compressor contactor is stuck open. Control Board failure. Incorrect wiring.	Call dealer or factory for advice before attempting to replace parts. Replace Capacitor. Replace Control board. Replace Contactor. Replace Compressor.
"Spa will not heat to maximum temperature of 104°F. Thermostat is turned all the way up. OR Spa is heating very slowly."	Low or restricted water flow through heater. Dirty or worn filters or clogged lint traps. Clogged filter pump impeller. Improper plumbing valve settings. Suction leak allowing air into the water flow. Low water flow when switched to spa mode or the control is not in spa mode. Unit is plumbed backwards. Heat exchanger clogged with debris. Internal bypass valve damaged or clogged with debris. Your spa thermometer is not reading the correct temperature. Air blower is running. Venturi air inlets are open. It is very cold outside. Spa pump is not running.	Clean entire filtering system and or replace filter element. Inspect & clean pump impeller. Adjust all plumbing valves. Repair suction air leaks, grease pump lid O-ring. Shut off air blower and or Venturi inlets that allow air turbulence in the spa. Use a cover while heating the spa. Outside air temp. too cold. Set spa pump timer for longer time. Call your dealer for advice. Call the factory for advice.
"Pool is heating very slowly. Pool is not getting up to temperature."	"Low or restricted water flow through heater. Dirty or worn filters or clogged lint traps. Clogged filter pump impeller. Improper plumbing valve settings. Suction leak allowing air into the water flow. It is cold outside. Pool pump timer is not set for a long enough running period. Pool is not covered. High wind speed over pool. Shaded pool area."	Clean entire filtering system and or replace filter element. Inspect & clean pump impeller. Adjust all plumbing valves. Repair suction air leaks, grease pump lid O-ring. Use a pool cover. Place a wind break around pool. Set pool pump timer longer. Call your dealer for advice. Call the factory for advice.

Problem or Symptoms	Possible Cause	Corrective Action
Higher than Normal Head Pressure, lower than normal suction pressure with high superheat and very cold or frosty distributor tubes, may have no Alarm	TXV stuck closed.	1. Disconnect TXV bulb from suction line (SL), have it in your hand, if pressures go back to normal, then reinstall the bulb on suction line (it may have some debris stuck in the port). For adjustable TXVs open adjustable valve, it may remove the debris and set it back to original position. 2. If (1) does not work, recover the charge, remove bulb from SL, unscrew TXV head, shake it, if rattles, replace head (PN KT-45-ZGA), if not, replace TXV and filter dryer and charge appropriately.
Lower than Normal Head Pressure, higher than normal suction pressure with cold suction line and compressor and no superheat, may have no Alarm.	TXV stuck open.	1. Check to see if TXV bulb is firmly attached to suction line, if loose, attach firmly by tightening the clamp over the bulb and suction line. 2. If (1) above does not work, reclaim charge and replace TXV and filter dryer with nameplate charge.
Unusually higher than normal current.	TXV stuck closed/partially closed, insufficient water flow, system overcharged.	See Possible Cause column for: TXV stuck closed, Insufficient water flow, and Unit overcharged.
Low current with high superheat.	Unit undercharged.	Find source of refrigerant leak and fix. Pull vacuum and charge.
Unit runs, but breaker trips continuously.	Electrical issue.	Contact certified electrician.

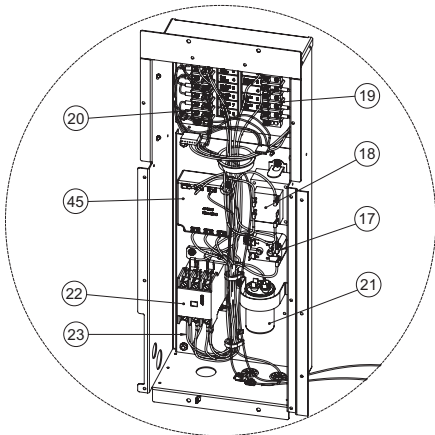
Problems and Corrective Action (3 Phase Units Only)		
Problem or Symptoms	Possible Cause	Corrective Action
Unable to turn Heat Pump ON. Display is Blank. Unit will NOT start.	Incorrect Wiring.	Check the Light on Phase Monitor inside the electrical box. If red, switch two of the Input wires. Any two of the three can be switched.
	Faulty Phase Monitor.	Call dealer or factory for advice before attempting to replace parts. Replace Phase Monitor.
	Loose wire on Phase Monitor, either from the supply input power or the output side.	Check the Light on Phase Monitor inside the electrical box. If the Light is Red, fix the supply power loose end. If the Light is green, fix the output loose wire.
Compressor making a loud or unusual noise or sounds during operation. Fan is turning, no cool air discharge out of top of heater. Unit ON, and Set Temperature is above Actual, but Unit is not heating.	Compressor running Backwards. This usually happens if the compressor wire harness is disconnected for possible repair or replacement.	Switch any two of the three wires on the compressor side of the Contactor.

REPLACEMENT PARTS

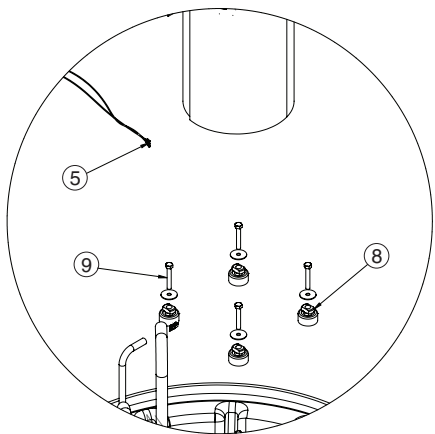
Illustrated Parts View



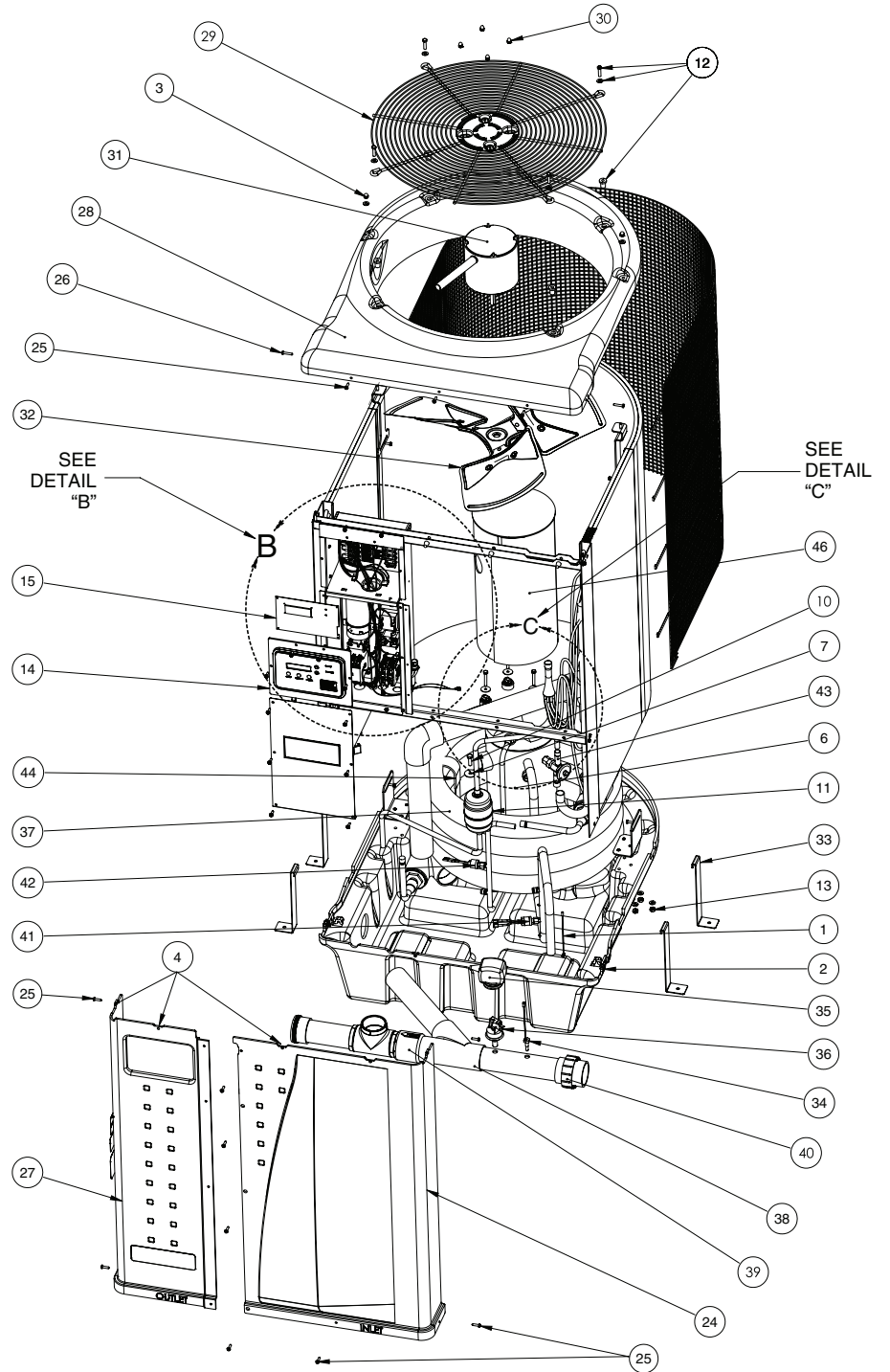
DETAIL B – Single Phase Models



DETAIL B – Three Phase Models



DETAIL C



Parts List

ITEM	PART NO.	DESCRIPTION
1	473665	Probe Thermistor Defrost Sensor
2	470284	Nut, J-Clip
3	473285	Nut, 1/4 - 20 S/S Acorn
4	470281	Nut, U-Clip
5	473732 474010	Wire Harness, Emerson Compressor (1PH - 60Hz) Wire Harness, Danfoss Compressor (3PH Models)
6	473734Z 473735Z 474011Z 474241Z 474291Z	Compressor, Scroll ZP83 (Models 120, 120H/C, 140, 140H/C) Compressor, Scroll ZP70 (Model 110) Compressor Kit, Scroll ZP83 (3PH Models 120C, 140C) Compressor, Scroll ZP61 (Model 90) Compressor, Scroll ZP49 (Model 70)
7	473295	Fender Washer
8	473736	Compression Isolation Kit, Grommet and Spacer (1 Set)
9	473745	Bolt 5/16 - 18 x 1.75" S/S
10	98219800	Bolt 5/16 - 18 x 1" S/S
11	473121 473139	Drier (All Models except 120H/C, 140H/C) Drier (Models 120H/C, 140H/C)
12	470441	Fan Guard Fastener Kit
13	071406	Nut, 1/4 - 20 Hex S/S
14	472734	Bezel, Control Board w/ Label
15		Auto Heat Control Board, High
16	473603	Pump Contactor, AutoHeat
17	473150	Fan Relay
18	473155	Transformer
19	473422	Wire Harness Terminal Block - Fan, Compressor
20	473315	Wire Harness Terminal Block - Sensors
21	473731 473154	Capacitor (All Models except 120C, 140C) Capacitor (3PH Models 120C, 140C)
22	473778	Contactora, Heat Pump
23	475112 474021	Wire Harness, Main (All Single Phase Models) Wire Harness, Main (3PH Models 120C, 140C)
24	473742 474194 473412 474265	Panel, Front Right, 36" Almond Panel, Front Right, 36" Black Panel, Front Right, 24" Almond (Models 70, 90) Panel, Front Right, 24" Black (Models 70, 90)
25	470159 470198	Screw #10 x 0.75" Pan Head Phillips, Almond Screw #10 x 0.75" Pan Head Phillips, Black
26	470161 474197	Screw #10 x 1" Pan Head Square Drive, Almond Screw #10 x 1" Pan Head Square Drive, Black
27	473755 474196 474203 474267	Panel, Front Left w/ Decal, 36" Almond Panel, Front Left w/ Decal, 36" Black Panel, Front Left w/ Decal, 24" Almond Panel, Front Left w/ Decal, 24" Black

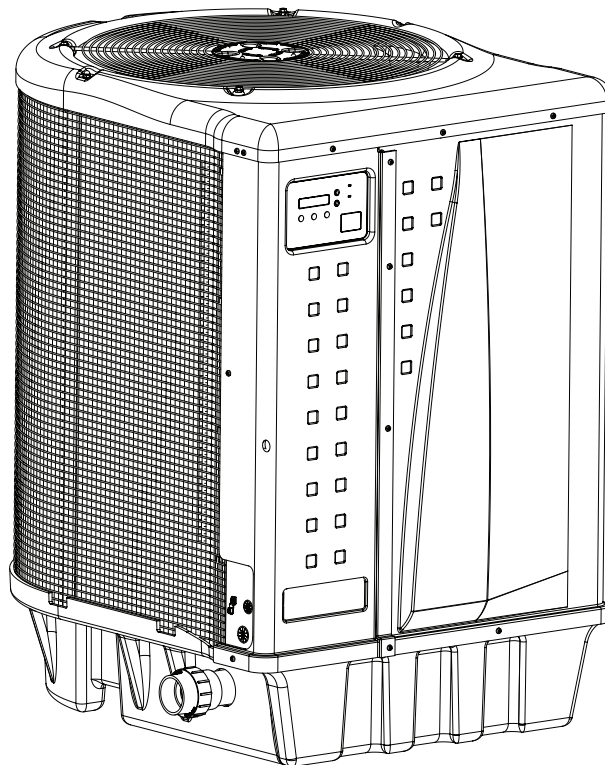
ITEM	PART NO.	DESCRIPTION
28	473773 474193	Panel, Top, Almond Panel, Top, Black
29	473786	Guard, Fan
30	470439	Nut #10-32 S/S Acorn
31	473785 474323Z	Fan Motor w/ Acorn Nut Kit Fan Motor w/ Acorn Nut Kit (Models 140, 140C, 140H/C)
32	473783 474322	Fan Blade (60Hz) Fan Blade (Models 140, 140C, 140H/C)
33	470137	Tie Down Bracket
34	471566	Probe Thermistor - Water Temperature
35	473606	Water Pressure Switch Boot
36	473605	Water Pressure Switch
37	475193Z 475219Z	Titanium Heat Exchanger, 4.5 Wrap (All Models Except 70) Titanium Heat Exchanger, 3.5 Wrap (Model 70)
-	474270Z	Heat Pump Coil Repair Kit
38	475176Z	Manifold Bypass Kit
39	R172305	Water Bypass Check Valve
40	473381	Union, PVC 2"
41	473656	Switch, Low Pressure
42	473744	Switch, High Pressure
43	473787 473999 474242 474327	Thermostatic Expansion Valve (Models 110, 120, 120C) Thermostatic Expansion Valve (Model 120H/C) Thermostatic Expansion Valve (Models 70, 90) Thermostatic Expansion Valve (Models 140, 140C, 140H/C)
44	475194 475195	Heat Exchanger Strap, Right Side Heat Exchanger, Left Side
45	474089	Phase Monitor
46	475230	Compressor Blanket
-	473135	Reversing Valve Assembly (Models 120H/C, 140H/C)
-	473432	Reversing Solenoid (Models 120H/C, 140H/C)
-	474237	Retention Clip, Compressor Power Cord
-	474321	3" Receiver (Models 140, 140C, 140H/C)
-	473054Z	Coil Guard
-	475232	Male Hose Barb 5/8" x 1/2" NPT
-	472409	Refrigerant Valve Core
-	071426	O-Ring, Union

(-) Note: Part not illustrated



ULTRATEMP®

THERMOPOMPES



FRANÇAIS

GUIDE D'INSTALLATION ET D'UTILISATION

CONSIGNES IMPORTANTES DE SÉCURITÉ
LIRE ET SUIVRE TOUTES LES DIRECTIVES
CONSERVER CES DIRECTIVES

INSTRUCTIONS DE SÉCURITÉ ET AVERTISSEMENTS IMPORTANTS



Avis important :

Ce guide fournit les instructions de l'installation et de l'utilisation de la thermopompe. Consultez Pentair pour toutes les questions au sujet de cet équipement.

Mise en garde pour l'installateur : Ce guide contient des informations importantes sur l'installation, le fonctionnement et l'utilisation sûre de ce produit. Cette information doit être fournie au propriétaire et/ou à l'exploitant de cet équipement après l'installation ou fixée sur ou à proximité de la thermopompe.

Mise en garde pour l'utilisateur : Ce manuel contient des informations importantes qui vous aideront dans l'utilisation et l'entretien de cette thermopompe. Veuillez le conserver pour vous y reporter ultérieurement.



AVERTISSEMENT Avant d'installer ce produit, lisez et respectez tous les avertissements et instructions fournis. Le non respect de ces avertissements et instructions sur la sécurité peut entraîner des blessures graves, voire mortelles ou des dommages matériels. composez le (800) 831-7133 pour d'autres copies gratuites de ces instructions.

Codes et normes

Les thermopompes UltraTemp sont répertoriées par ETL comme étant conformes à la dernière édition de la « UL Standard for Safety for Heating and Cooling Equipment » (Norme UL pour la sécurité d'équipement de chauffage et de refroidissement), UL 1995 et CSA C22.2 N° 236.

Toutes les thermopompes Pentair doivent être installées conformément aux codes du bâtiment et d'installation selon les services publics ou l'autorité compétente. Tous les codes locaux ont préséance sur les codes nationaux. En l'absence de codes locaux, reportez-vous à la dernière édition du Code national de l'électricité (NEC) aux États-Unis et au Code canadien de l'électricité au Canada pour l'installation.



AVERTISSEMENT RISQUE DE DÉCHARGE ÉLECTRIQUE OU D'ÉLECTROCUTION. L'alimentation électrique de ce produit doit être installée par un électricien certifié ou par du personnel qualifié et autorisé sous licence, en conformité avec le Code national de l'électricité et tous les codes et règlements locaux applicables. Une installation inappropriée entraînera un risque d'électrocution d'où blessures graves, voire mortelles des utilisateurs, installateurs de la piscine ou du spa ou autres personnes suite à une décharge électrique, pouvant aussi entraîner des dommages matériels. Lisez et suivez les instructions spécifiques à l'intérieur de ce guide.



Ne laissez pas les enfants utiliser ce produit.



AVERTISSEMENT Pour les appareils destinés à être utilisés dans des applications autres que des maisons unifamiliales, un interrupteur d'urgence clairement étiqueté doit être fourni dans le cadre de l'installation. L'interrupteur doit être facilement accessible aux occupants et doit être installé à au moins 1,52 m [5 pieds] de l'appareil, à côté de celui-ci et visible à partir de celui-ci.

Sécurité et informations destinées au consommateur

La série de thermopompes UltraTemp est conçue et fabriquée pour offrir un service sécuritaire et fiable lorsqu'elles sont installées, utilisées et entretenues conformément aux informations contenues dans ce manuel et aux codes d'installation mentionnée dans les sections suivantes. Dans ce manuel, les avertissements de sécurité et les mises en garde sont identifiés par le symbole « ⚠ ». Assurez-vous de lire tous les avertissements et mises en garde et de vous y conformer.



AVERTISSEMENT La US Consumer Product Safety Commission avertit qu'une température élevée de l'eau peut être dangereuse. Référez-vous ci-dessous aux directives sur la température de l'eau avant de régler la température.



AVERTISSEMENT Les « Règles de sécurité pour les cuves thermales » suivantes recommandées par la US Consumer Product Safety Commission doivent être observées lors de l'utilisation du spa.

1. Les températures du spa ou de la cuve thermale ne doivent jamais dépasser 40°C [104°F]. Une température de 38°C [100°F] est considérée comme sécuritaire pour un adulte en bonne santé. Une prudence particulière est recommandée pour les jeunes enfants. Une immersion prolongée dans l'eau chaude peut provoquer une hyperthermie.
2. La consommation de boissons alcoolisées avant ou pendant l'utilisation d'un spa ou d'une cuve thermale peut causer de la somnolence qui pourrait conduire à une perte de connaissance et par conséquent à la noyade.
3. **Femmes enceintes, faites attention!** Le bain dans une eau au-dessus de 38°C [100°F] peut causer des risques pour le fœtus pendant les trois premiers mois de la grossesse (ce qui peut aboutir à la naissance d'un enfant malformé ou présentant des anomalies cérébrales). Les femmes enceintes devraient s'en tenir à la règle maximale de 38°C [100°F].
4. Avant d'entrer dans le spa ou la cuve thermale, l'utilisateur doit vérifier la température de l'eau avec un thermomètre précis. Les thermostats de spa ou de cuve thermale peuvent donner une régulation erronée de la température de l'eau.
5. Les personnes ayant des antécédents de maladie cardiaque, de problèmes circulatoires, de diabète ou de problèmes de pression artérielle devraient obtenir des conseils de leur médecin avant d'utiliser les spas ou les cuves thermales.
6. Les personnes qui prennent des médicaments pouvant entraîner la somnolence, comme les tranquillisants, les antihistaminiques ou les anticoagulants ne doivent pas utiliser les spas ou les cuves thermales.

L'hyperthermie survient lorsque la température interne du corps atteint un niveau de plusieurs degrés au-dessus de la température corporelle normale de 37°C [98,6°F]. Les symptômes de l'hyperthermie comprennent : la somnolence, la léthargie, les étourdissements, les évanouissements, et une augmentation de la température interne du corps.

Les effets de l'hyperthermie comprennent :

1. L'inconscience d'un danger imminent.
2. L'insensibilité à la chaleur.
3. L'incapacité à reconnaître le besoin de quitter le spa.
4. L'incapacité physique à pouvoir sortir du spa.
5. Des risques pour le fœtus chez les femmes enceintes.
6. La perte de connaissance entraînant un risque de noyade.

Spécifications générales:

Lieu d'installation certifié pour son utilisation :

UTILISATION EXTÉRIEURE SEULEMENT. La non prévoyance de dégagements appropriés décrits à la page 40 réduira le rendement de la thermopompe et annulera la garantie.

Connexions de la conduite d'eau/de l'appareil de chauffage — PVC en plastique de 5,1 cm [2 po] (raccords-union compris)

Débit d'eau

Maximum 456 l/min [120 gal/min] - Si le débit du système est supérieur à 456 l/min, une soupape de dérivation est nécessaire.

Minimum 110 l/min [30 gal/min]

Pression de l'eau de service maximale 50 lb/po²

Pour les exigences d'alimentation électrique et de tension, reportez-vous au tableau à la page 63.

SERVICE À LA CLIENTÈLE / ASSISTANCE TECHNIQUE

Si vous avez des questions concernant la commande de pièces de rechange et produits de piscine Pentair veuillez utiliser les coordonnées ci-dessous :

Service à la clientèle

(8 h à 17 h — heure de l'Est et du Pacifique)

Téléphone : (800) 831-7133

Télécopieur : (800) 284-4151

Site Web

Visitez www.pentair.com pour trouver des informations sur les produits Pentair.

Assistance technique

Sanford, Caroline du Nord (8 h à 17 h HE)

Téléphone : (919) 566-8000

Télécopieur : (919) 566-8920

Moorpark, Californie (8 h à 17 h HP)

Téléphone : (805) 553-5000 (Poste 5591)

Télécopieur : (805) 553-5515

TABLE DES MATIÈRES

Instructions de sécurité et avertissements importants	36	Utilisation de la thermopompe	53
Avant d'installer la thermopompe	38	Conseils d'économie d'énergie pour piscine	53
Aperçu de la thermopompe	38	Aperçu du panneau de commande de la thermopompe	53
Exigences d'installation	38	Guide du menu de l'opérateur	54
Informations générales sur l'installation	38	Démarrage et arrêt de la thermopompe	55
Caractéristiques générales	38	Modification du point de consigne – piscine et spa	55
Installation et emplacement	39	Modes Chauffage, Refroidissement et Auto	55
Matériaux requis pour l'installation	39	Minuterie de la thermopompe	55
Base de support pour l'équipement	39	Contrôle à distance avec relais	55
Évacuation et condensation, Ruissellement du toit, la condensation et les arroseurs	39	Contrôle à distance RS-485 (Câble en série)	56
Dimensions de la thermopompe	39	Opération AutoSet (Configuration automatique)	56
Emplacement et dégagements	40	Opération Extend (Prolongation)	57
Installation des pinces d'ancrage	40	Minuteries et temporisations	58
Connexions d'eau et tuyauterie	41	Messages d'alarme du panneau de commande	58
Vanne de commande de débit automatique	41	Guide du menu de maintenance	59
Raccordements de l'eau à la thermopompe	42	Échelle de température	60
Branchement du tuyau de vidange à la thermopompe	42	Décalage de la température de l'eau	60
Réglage du manostat de l'eau	43	Cycle de dégivrage	60
Installation d'appareils multiples	44	Compteurs de durée de fonctionnement	60
Thermopompe, appareil de chauffage, solaire	44	Verrouillage du panneau de commande	60
Connexions pour thermopompes multiples	44	Entretien	61
Connexions électriques et câblage	46	Chimie de l'eau	61
Schéma de câblage — (monophasé — 50/60 Hz)	47	Hivérization	61
Schéma de câblage – (triphasé – 60 Hz)	48	Démarrage au printemps	61
Connexion à un système d'automatisation	49	Inspection et service	61
Contrôle à distance	49	Inspection par le propriétaire	62
Télécommandes relais	49	Entretien et services professionnels	62
Connexion à IntelliTouch ou à EasyTouch à partir des bornes embrochables de la thermopompe	50	Information technique	63
Connexion à IntelliTouch ou à EasyTouch à partir du connecteur RS-485	51	Alimentation électrique – Exigences de tension	63
Configuration des broches du tableau de commande de la thermopompe à IntelliTouch	52	Graphique de la résistance thermique	63
Connexion d'IntelliTouch ou d'EasyTouch à la thermopompe	52	Tableau de température/débit d'eau pour l'entretien et les services professionnels	64
		Baisse de la pression de la thermopompe	64
		Diagnostic	65
		Pièces de rechange	70
		Vue éclatée des pièces	70
		Liste des pièces	71

Pour apprendre davantage sur les économies d'énergie dans l'exploitation de votre piscine, reportez-vous à la page 53, à la section « Utilisation de la thermopompe ». Pour les données techniques, les exigences de tension, ou des informations en terme de température/débit d'eau, reportez-vous à la page 63 à la dernière de couverture du manuel.

AVANT D'INSTALLER LA THERMOPOMPE

Aperçu de la thermopompe

Vous aurez des années de plaisir avec votre piscine grâce à votre thermopompe Pentair. Les thermopompes fonctionnent en prenant la chaleur de l'air ambiant et en la transférant dans l'eau. Plus l'air est chaud et humide, plus il y a de chaleur latente disponible pour le chauffage de votre piscine. Avec une thermopompe de taille convenable pour votre piscine, la thermopompe devrait faire monter la température de votre piscine en moyenne de 1 °F par heure en fonction de la température de l'air, de l'humidité et de la température de l'eau. La condition idéale ou nominale pour la thermopompe est une température d'air de 27 °C [80 °F], et 80 % d'humidité relative, et de 27 °C pour la température de l'eau. Lorsque les conditions baissent à partir de la formule 80/80/80, le rendement de la thermopompe diminuera légèrement.

Les thermopompes sont utilisées de manière idéale pour maintenir une température de l'eau constante, elles ne sont pas prévues pour fournir un chauffage instantané ou rapide. Il n'est pas raisonnable de s'attendre à ce qu'une thermopompe fonctionne comme un appareil de chauffage au gaz qui a une puissance maximale en BTU beaucoup plus élevée et une réponse plus rapide. De plus, les appareils de chauffage au gaz ne dépendent pas des conditions environnementales. Les thermopompes pour les piscines sont très semblables aux thermopompes domestiques de chauffage et de climatisation de l'air et doivent donc être traitées de la même manière.

Le bon fonctionnement et l'utilisation de la thermopompe consistent à la régler à la température souhaitée et à laisser ce réglage. Votre thermopompe se mettra en marche et s'arrêtera automatiquement pour maintenir la température souhaitée un peu comme votre appareil CVCA de la maison. Pour profiter de l'énergie du soleil, faites fonctionner votre thermopompe pendant les heures les plus chaudes de la journée.

Votre thermopompe continue à fonctionner lorsque la température descend pendant la nuit, mais le rendement sera diminué. Il est acceptable de mettre la thermopompe hors tension et de ne pas l'utiliser pendant de longues périodes de temps. Lorsque vous devez chauffer votre piscine, veuillez planifier en conséquence, car votre thermopompe peut prendre des jours pour chauffer votre piscine à la température souhaitée, en fonction de la température de votre piscine et des conditions environnementales.

Exigences d'installation de la thermopompe

Une installation correcte est nécessaire pour assurer un fonctionnement sécuritaire. Les exigences pour les thermopompes Pentair comprennent ce qui suit :

- Dimensions pour les connexions critiques.
- Montage sur place (le cas échéant).
- Emplacement et dégagements appropriés (pages 39-40).
- Câblage électrique approprié (pages 46-48).
- Débit d'eau adéquat (page 36).

Ce manuel fournit les informations nécessaires pour répondre à ces exigences. Passez en revue toutes les procédures d'applications et d'installation avant de réaliser l'installation.

Informations générales sur l'installation

1. L'installation et l'entretien doivent être effectués par un installateur qualifié ou par un organisme de service, et doivent se conformer à toutes les normes nationales, provinciales et locales.
2. Les thermopompes obtiennent de l'énergie électrique à partir d'une source externe et fournissent un système de commande à thermostat électronique double pour les combinaisons de piscine/spa ou pour une commodité de préchauffage.
3. Cette thermopompe est spécialement conçue pour le chauffage de piscines et de spas à l'eau douce. Ne l'utilisez pas comme un appareil de chauffage ordinaire. Consultez votre concessionnaire pour les produits Pentair appropriés pour ces applications.

Caractéristiques générales

- Des thermostats numériques doubles offrent un contrôle précis de la température pour maintenir les combinaisons de températures souhaitées de l'eau de la piscine/du spa séparé sans surchauffer ou gaspiller de l'énergie.
- Le caisson en plastique composite très résistant à la corrosion est prévu pour des climats rudes et les produits chimiques de la piscine.
- Un échangeur de chaleur en titane pur à 100 % assure une protection de la performance contre la corrosion pour une durée de vie prolongée.
- Panneau de commande avec autodiagnostic, surveillance et recherche la cause d'une panne opérationnelle de la thermopompe pour assurer un fonctionnement sécuritaire et fiable.
- La caractéristique de réglage automatique (avec priorité sur l'horodateur) surveille la température de l'eau et fait démarrer et arrêter la pompe de circulation de l'eau au besoin pour maintenir les températures souhaitées de la piscine.
- La caractéristique de dégivrage automatique détecte la température du frigorigène et empêche la thermopompe de geler, permettant à la thermopompe de fonctionner à des températures encore plus basses.
- La fonctionnalité Extend (Prolongation – remplacement de l'horloge) surveille la température de l'eau et active la pompe de circulation de l'eau au besoin pour prolonger un cycle de chauffage interrompu.
- Compatible avec tous les ensembles de commandes automatisés. Communication RS485 compatible avec les systèmes de commande IntelliTouch et EasyTouch.
- Le détendeur thermostatique (TXV) contrôle le débit du frigorigène pour une efficacité optimale et une puissance maximale en BTU sur une plus grande plage de fonctionnement.
- Le bac de la base est surélevé pour une évacuation positive de la condensation.
- Raccords de tuyauterie de 51 mm [2 po] pour une installation facile.
- Compartiment électrique isolé, séparé, empêche la corrosion interne et prolonge la vie de l'appareil de chauffage.
- Disponibilité de rendement plus élevé, satisfait ou dépasse les codes et les normes existantes.
- Minuterie réglable, permet de régler la thermopompe afin de fonctionner pendant un temps prédéterminé; de manière incrémentielle de 10 minutes à un maximum de 99 heures.
- Une liste complète de conditions d'opération, d'alarmes et de températures de l'eau est présentée sur le tableau de commande. Cette information est offerte à l'utilisateur afin de surveiller la performance et de corriger les problèmes.

INSTALLATION ET EMPLACEMENT



PRÉCAUTION Lorsque l'équipement de piscine est situé en dessous de la surface de la piscine, une fuite de n'importe quel composant peut causer des pertes d'eau ou des inondations importantes. Pentair Water Pool and Spa, Inc ne peut pas être tenu responsable de la perte d'eau ou des inondations qui peuvent causer des dommages au produit. Évitez de placer la thermopompe dans les endroits où elle peut causer des dommages par l'eau ou par le condensat provenant d'une fuite. Si cela n'est pas possible, veuillez fournir un bac de récupération approprié pour capter et détourner toutes fuites.

Seul un technicien qualifié doit installer la thermopompe. Avant d'installer ce produit, reportez-vous aux *Instructions de sécurité et avertissements importants* à la page 36.

Matériaux requis pour l'installation

Les articles suivants sont nécessaires et doivent être fournis par l'installateur pour toutes les installations de thermopompes :

1. Connexions de tuyauterie de 51 mm [2 po].
2. Surface plane pour assurer une bonne évacuation.
3. Ligne d'alimentation électrique appropriée. Consultez la plaque signalétique sur l'appareil pour les spécifications électriques. Boîte de jonction pas nécessaire pour la thermopompe; les connexions sont faites à l'intérieur du compartiment électrique de la thermopompe. Le conduit peut être fixé directement à l'enveloppe de la thermopompe.
4. Interrupteur de coupure électrique qui interrompra toute l'alimentation de l'appareil. Cet interrupteur doit être visible de la thermopompe. Vérifiez les codes locaux pour les exigences.
5. Conduit étanche à l'eau pour la ligne d'alimentation électrique.

Base de support pour l'équipement

Pour une évacuation appropriée de la condensation et de l'eau de pluie, placez la thermopompe sur une surface plane légèrement inclinée, comme une dalle en béton ou sur une dalle fabriquée (base).

Si possible, placez la base au même niveau ou légèrement plus élevée que la base de l'équipement du système de filtration.

Remarque : assurez-vous que la base n'est pas plus inclinée que de 6 mm [1/4 po] par 30 cm (pied) quelle que soit la direction du ruissellement des eaux.

Évacuation et condensation

La condensation se produit à partir du serpentin de l'évaporateur lorsque l'appareil fonctionne, et évacue l'eau à un rythme régulier (en général trois à cinq gallons par heure), en fonction de la température de l'air ambiant et de l'humidité. Plus l'air ambiant est humide, plus il y aura de condensation.

Le fond de l'appareil agit comme un bac pour capter l'eau de pluie et de condensation. Gardez les trous d'évacuation situés au fond du bac de la base de l'appareil, exempts de débris.

Ruissellement de l'eau de toit

Assurez-vous que la thermopompe ne se trouve pas là où de grandes quantités d'eau de ruissellement du toit s'écouleront sur et dans l'appareil.

Les toits à forte pente, sans gouttières, permettent à d'énormes quantités d'eau de pluie, avec des débris de la toiture, de s'introduire dans l'appareil. Une gouttière ou un tuyau de descente peut être nécessaire pour protéger la thermopompe.

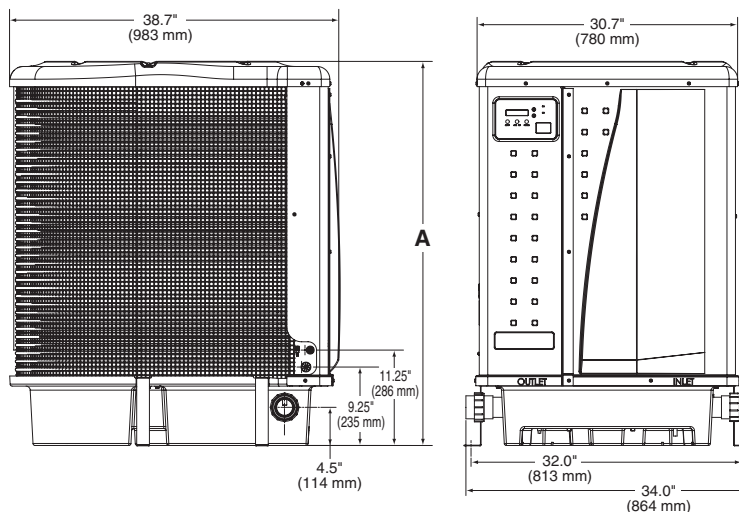
Arroseurs

Évitez de placer les arroseurs près de l'appareil de chauffage - ils peuvent pulvériser de l'eau dans l'appareil de chauffage ce qui annulera la garantie.

Assurez-vous de diriger toute l'eau de pulvérisation loin de l'appareil de chauffage. Prenez en note la direction du vent afin d'assurer que l'eau des arroseurs n'est pas soufflée vers l'appareil de chauffage. Les têtes de gicleurs peuvent produire une pression d'eau élevée et pulvériser l'eau à un angle, autre que celui provenant de la pluie et de l'humidité courantes. De plus, les gicleurs reliés à un système de puits d'eau peuvent provoquer l'accumulation de minéraux sur les serpentins de l'évaporateur et sur les composants électroniques. L'eau salée peut aussi être un problème si l'appareil est situé en région côtière.

Dimensions de la thermopompe

MODÈLE	DIMENSION « A »
70, 90	33,5 po (851 mm)
110, 120, 120C, 140C 120 H/C, 140, 140 H/C	45,5 po (1 156 mm)

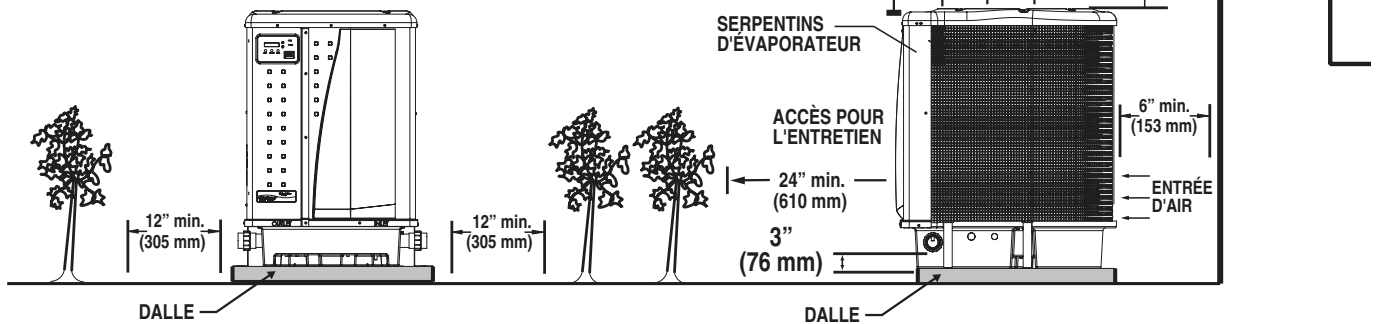


Emplacement et dégagements

Tous les critères fournis dans les sections suivantes reflètent les dégagements minimaux. Cependant, chaque installation doit également être évaluée, en tenant compte des conditions locales telles que la proximité et la hauteur des murs, et la proximité aux zones d'accès public.

La thermopompe doit être placée avec des dégagements sur tous les côtés pour la maintenance et l'inspection.

1. Au moins 610 mm [24 po] d'accès doivent être disponibles devant et 305 mm [12 po] sur tous les autres côtés de la thermopompe pour effectuer l'entretien et pour assurer la circulation d'air appropriée. (Recommandations du fabricant).



Emplacement de la thermopompe et dégagements

Installation des pinces d'ancrage

L'installation des pinces d'ancrage est recommandée dans toutes les installations. L'installation des pinces d'ancrage est exigée en Floride (voir le Code du bâtiment de Floride 301,13).

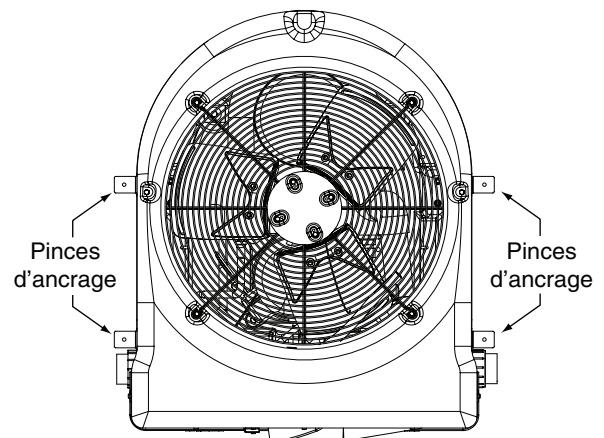
Les pinces d'ancrage fixent la thermopompe sur la base de l'équipement afin de résister aux vents violents causés pendant des conditions météorologiques extrêmes (par ex. : ouragans).

Pour installer les pinces d'ancrage :

1. Assurez-vous que la thermopompe est à son emplacement définitif sur la base de l'équipement.
2. Placez les pinces à la base de la thermopompe dans les quatre (4) endroits, comme sur l'image ci-contre.

Remarque : Les boulons et les ancrages de boulons ne sont pas inclus avec la thermopompe. L'installateur doit fournir des boulons d'ancrage en acier inoxydable de 1/4 po x 1-3/8 po et des ancrages pour béton de dimension appropriée pour monter les pinces à la base de l'équipement. Vérifiez les codes locaux.

3. Fixez le crochet de chaque pince par-dessus la lèvre sur le panneau de la base de la thermopompe. Le crochet doit s'adapter entre la lèvre du panneau de la base et le protecteur du serpentin de l'évaporateur.



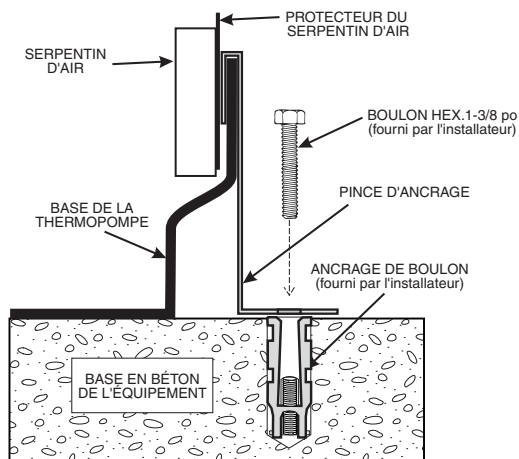
Installation des pinces d'ancrage

Installation des pinces d'ancrage, suite

4. Marquez la position du trou de chaque pince sur la base de l'équipement.
5. Utilisez un foret à béton et percez dans le ciment un trou d'un diamètre déterminé par la pièce d'ancrage pour béton, à chacune des marques sur la base de l'équipement. Le trou doit être d'environ 3,81 mm [1½ po] de profondeur.
6. Insérez une pièce d'ancrage dans chacun des trous. Assurez-vous que les pièces d'ancrage sont bien enfoncées dans les trous.
7. Positionnez les pinces d'ancrage de sorte que les trous des pinces se retrouvent au-dessus des pièces d'ancrage des boulons.

Assurez-vous que les crochets des pinces se retrouvent par-dessus la lèvres de la base de la thermopompe.

8. Insérez un boulon d'ancrage à travers chaque pince dans l'ancrage et serrez pour sécuriser la pince et la thermopompe à la base de l'équipement.



Installation des pinces d'ancrage

Connexions d'eau et tuyauterie

L'image ci-dessous montre la disposition de la tuyauterie standard avec une seule thermopompe. Suivez l'image de droite à gauche pour la séquence de la tuyauterie standard.

La disposition des composants du système de la piscine (autre que l'image de la tuyauterie standard ci-dessous), et l'emplacement de la thermopompe (au-dessus ou en dessous de la surface de l'eau de la piscine) peuvent affecter le fonctionnement du manostat de l'eau de la thermopompe.

L'emplacement de la thermopompe au-dessus ou en dessous de la surface de l'eau de la piscine peut aussi affecter le fonctionnement du manostat.

Le manostat peut être ajusté pour tenir compte de cet effet si les connexions d'eau des thermopompes ne sont pas plus que 1 829 mm [6 pieds] en dessous de la surface de l'eau de la piscine.

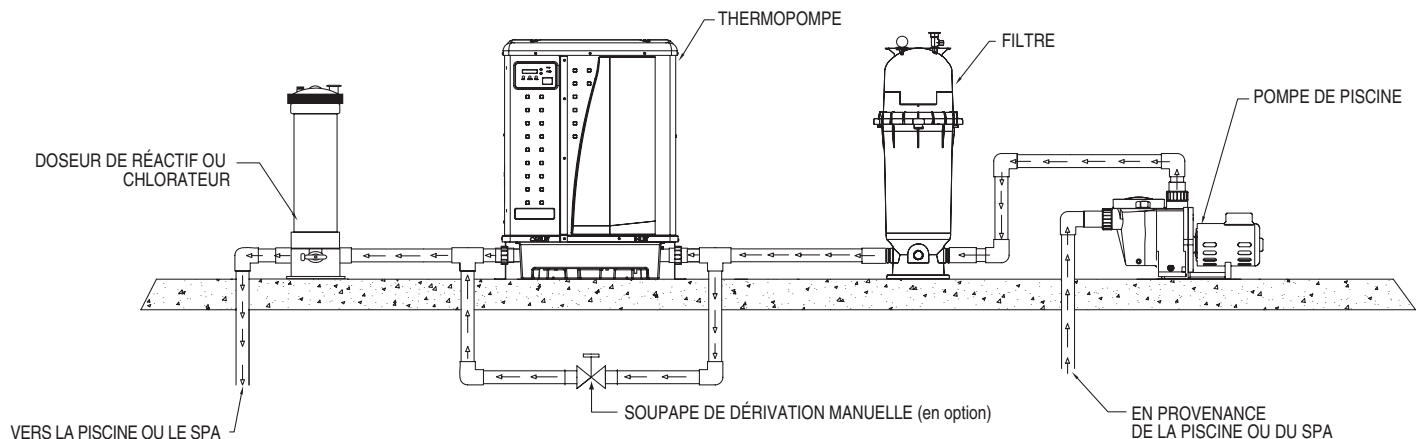
Consultez les instructions pour le réglage du manostat à la page 43. Si la thermopompe est installée en dehors de cette plage, un manostat externe peut devoir être installé dans la plomberie en amont de la thermopompe.

Remarque : Sachez que lorsque l'équipement de piscine est situé en dessous de la surface de la piscine, une fuite peut causer des pertes d'eau ou des inondations importantes. Pentair n'est pas responsable de ces pertes d'eau ou de ces inondations ou dommages.

Vanne de commande de débit automatique

Le collecteur d'entrée/sortie de la thermopompe est équipé d'une vanne de commande de débit automatique interne. La vanne de commande de débit automatique maintient l'écoulement approprié par l'intermédiaire de la thermopompe à des valeurs allant jusqu'à 456 l/min (120 gal/min). Si la valeur du débit du système de filtrage est supérieure à 456 l/min (120 gal/min), installez une vanne de dérivation manuelle, voir l'image ci-dessous.

Remarque : Sachez que si votre pompe de circulation est plus puissante que 2 HP ou si le débit total est supérieur à 456 l/min (120 gal/min), vous devrez ajouter une vanne de dérivation externe. Un écoulement d'eau en excès endommagera l'échangeur de chaleur.

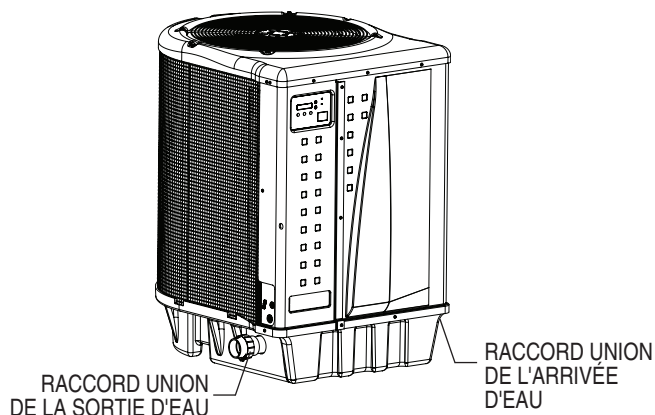


Disposition de la plomberie standard

Raccordements de l'eau à la thermopompe

Des raccords de tuyauterie à branchement rapide de 51 mm (2 po) ont été installés sur les connexions d'arrivée et de sortie de l'eau. L'eau froide filtrée est raccordée à l'entrée, située sur le côté droit de la thermopompe. L'eau chaude filtrée est raccordée à la sortie, située sur le côté gauche de la thermopompe.

La tuyauterie en plastique (PVC de série 40) doit être reliée à la thermopompe. Les raccords union, fournis avec l'appareil, sont prévus pour des tuyaux en PVC de 51 mm (2 po).



Connexions d'eau de la thermopompe



PRÉCAUTION Veuillez toujours vous assurer que les exigences de débit et les taux de renouvellement de l'eau de la piscine peuvent être maintenus avec l'installation de thermopompes et de restrictions de plomberie supplémentaires.

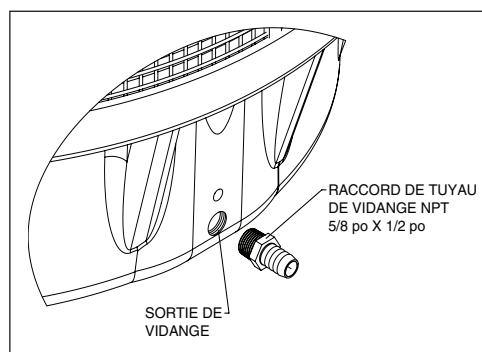
Branchement du tuyau de vidange à la thermopompe

Un tuyau souple de vidange NPT de 5/8 po x 1/2 po est inclus dans la trousse de raccordement de la thermopompe.

Avant de faire fonctionner la thermopompe pour la première fois, le tuyau souple de vidange doit être installé dans la sortie de vidange fileté située à la base de la thermopompe.

Pour installer le raccord de tuyau de vidange et le tuyau de vidange :

1. Vissez le raccord dans la sortie de vidange fileté située à la base de la thermopompe. Voir l'image ci-dessous.
2. Branchez un tuyau d'arrosage de 5/8 po au raccord.
3. Assurez-vous de placer la sortie du tuyau d'arrosage de manière à ce que l'eau s'écoule en s'éloignant de la thermopompe et du panneau de commande.



Installation du raccord de tuyau de vidange

Réglage du manostat de l'eau

⚠ PRÉCAUTION Le manostat de l'eau doit être ajusté pour arrêter l'appareil de chauffage lorsque la pompe est hors tension. Le réglage du manostat qui le ferme à un débit trop bas peut endommager l'appareil. Réglez le manostat pour arrêter l'appareil de chauffage et non pas pour le démarrer.

Le manostat est pré-réglé à l'usine pour une activation à 10 kPa [1,5 psi]. Ce réglage en usine convient à la plupart des installations de base. Ne réglez pas le manostat si la thermopompe ne fonctionne pas **lorsque le débit approprié est appliqué à l'appareil** ou si la thermopompe ne s'arrête pas lorsque la pompe pour filtration est arrêtée. De temps en temps, les configurations de plomberie inhabituelles ou des restrictions nécessaires dans la plomberie peuvent causer des problèmes de détection de pression. Dans ces situations exceptionnelles, la configuration du système de plomberie peut nécessiter un ajustement du manostat de l'eau.

L'ajustement du manostat peut être nécessaire si une partie quelconque de la tuyauterie du système de filtre est de 0,91 m [3 pieds] ou plus au-dessus du haut de la thermopompe.

En général, si la thermopompe est installée à plus de 1,83 m [6 pieds] en dessous de la surface de la piscine, un interrupteur d'écoulement d'eau externe doit être ajouté à l'installation de plomberie.

Sur certaines installations, la tuyauterie de la thermopompe vers la piscine est très courte. La contre-pression peut être trop faible pour déclencher le manostat. Si cela se produit, installez un raccord directionnel ou un coude là où la conduite de retour entre dans la piscine. Cela permettra d'augmenter la contre-pression pour la thermopompe afin qu'elle fonctionne correctement. Assurez-vous de vérifier que le débit du système est supérieur à l'exigence minimum de 110 l/min (30 gal/min) après l'installation du raccord directionnel.

Assurez-vous que le filtre de la piscine est propre avant tout réglage du manostat : Un filtre sale restreindra l'écoulement de l'eau et le manostat ne pourrait pas être réglé correctement.

Pour régler le manostat :

Le réglage suivant est pour les installations où la thermopompe est *en dessous* du niveau de l'eau de la piscine.

1. Assurez-vous que toutes les vannes dans le système sont réglées pour permettre le passage de l'eau dans la thermopompe. Démarrez la pompe pour filtration.
2. Réglez la température de la thermopompe au-dessus de la température réelle afin de la mettre en marche. Mettez en Marche la thermopompe.
3. Une fois que la thermopompe est en marche, arrêtez la pompe pour filtration. La thermopompe devrait s'arrêter immédiatement.
4. Si la thermopompe continue à fonctionner lorsque la pompe pour filtration est arrêtée, le manostat de l'eau doit être ajusté.

5. Enlevez le panneau avant gauche de la thermopompe et retirez le panneau avant droit restant. Le manostat de l'eau est situé sur le circuit de l'eau dans le coin inférieur droit de la thermopompe.
6. Tournez lentement la molette de réglage sur le manostat de l'eau dans le sens horaire jusqu'à ce que l'Alarme indiquant « LOW WATER FLOW » (débit d'eau faible) apparaisse sur l'écran LCD, la DEL rouge de service s'allume, et la thermopompe s'arrête.
7. Vérifiez la position du manostat de l'eau par le démarrage et l'arrêt de la pompe pour filtration et en vérifiant le panneau de commande et le fonctionnement de l'appareil de chauffage entre chaque changement de débit.
8. Si le manostat de l'eau ne peut pas être ajusté pour tenir compte des conditions énumérées ci-dessus, un interrupteur de débit externe doit être ajouté à l'installation de plomberie afin de vous assurer que la thermopompe ne fonctionne pas sans un bon écoulement à travers l'échangeur de chaleur.

Le réglage suivant est pour les installations où la thermopompe est *au-dessus* du niveau de l'eau de la piscine.

1. Assurez-vous que toutes les vannes dans le système sont réglées pour permettre le passage de l'eau dans la thermopompe. Démarrez la pompe pour filtration.
2. Réglez la température de la thermopompe au-dessus de la température réelle afin de la mettre en marche. Mettez en Marche la thermopompe.
3. Si l'écran LCD affiche une Alarme indiquant « LOW WATER FLOW » (débit d'eau faible), la DEL rouge de service s'allume et le manostat de l'eau doit être ajusté.
4. Enlevez le panneau avant gauche de la thermopompe et retirez le panneau avant droit restant. Le manostat de l'eau est situé sur le circuit de l'eau dans le coin inférieur droit de la thermopompe.
5. Tournez lentement la molette de réglage sur le manostat de l'eau dans le sens antihoraire jusqu'à ce que l'Alarme indiquant « LOW WATER FLOW » (débit d'eau faible) et la DEL rouge de service disparaissent, le décompte du temps commencera.
6. Une fois que la thermopompe est en marche, arrêtez la pompe pour filtration. La thermopompe devrait s'arrêter immédiatement.
7. Si la thermopompe continue à fonctionner lorsque la pompe pour filtration est arrêtée, tournez lentement la molette de réglage sur le manostat de l'eau dans le sens horaire jusqu'à ce que l'Alarme indiquant « LOW WATER FLOW » (débit d'eau faible) apparaisse sur l'écran LCD, la DEL rouge de service s'allume, et la thermopompe s'arrête.
8. Vérifiez la position du manostat de l'eau par le démarrage et l'arrêt de la pompe pour filtration et en vérifiant le panneau de commande et le fonctionnement de l'appareil de chauffage entre chaque changement de débit.
9. Si le manostat de l'eau ne peut pas être ajusté pour tenir compte des conditions énumérées ci-dessus, un interrupteur de débit externe doit être ajouté à l'installation de plomberie afin de vous assurer que la thermopompe ne fonctionne pas sans un bon écoulement à travers l'échangeur de chaleur.

Installation d'appareils multiples

1. Combinaison de thermopompe, appareil de chauffage et/ou solaire

Dans certaines régions du pays, il peut être plus économique de faire fonctionner une thermopompe pendant les mois les plus chauds et un appareil de chauffage au gaz pendant les mois les plus froids. Dans certaines situations, il peut être souhaitable de faire fonctionner la thermopompe en « refroidisseur » (le cas échéant) au cours de la partie la plus chaude de l'année et un appareil de chauffage pendant les mois les plus froids. La thermopompe Pentair peut être utilisée en conjonction avec un appareil de chauffage électrique ou à gaz ou avec une combinaison de sources de chaleur y compris le solaire. Toutes les sources de chaleur doivent être raccordées en série pour fonctionner correctement et efficacement.

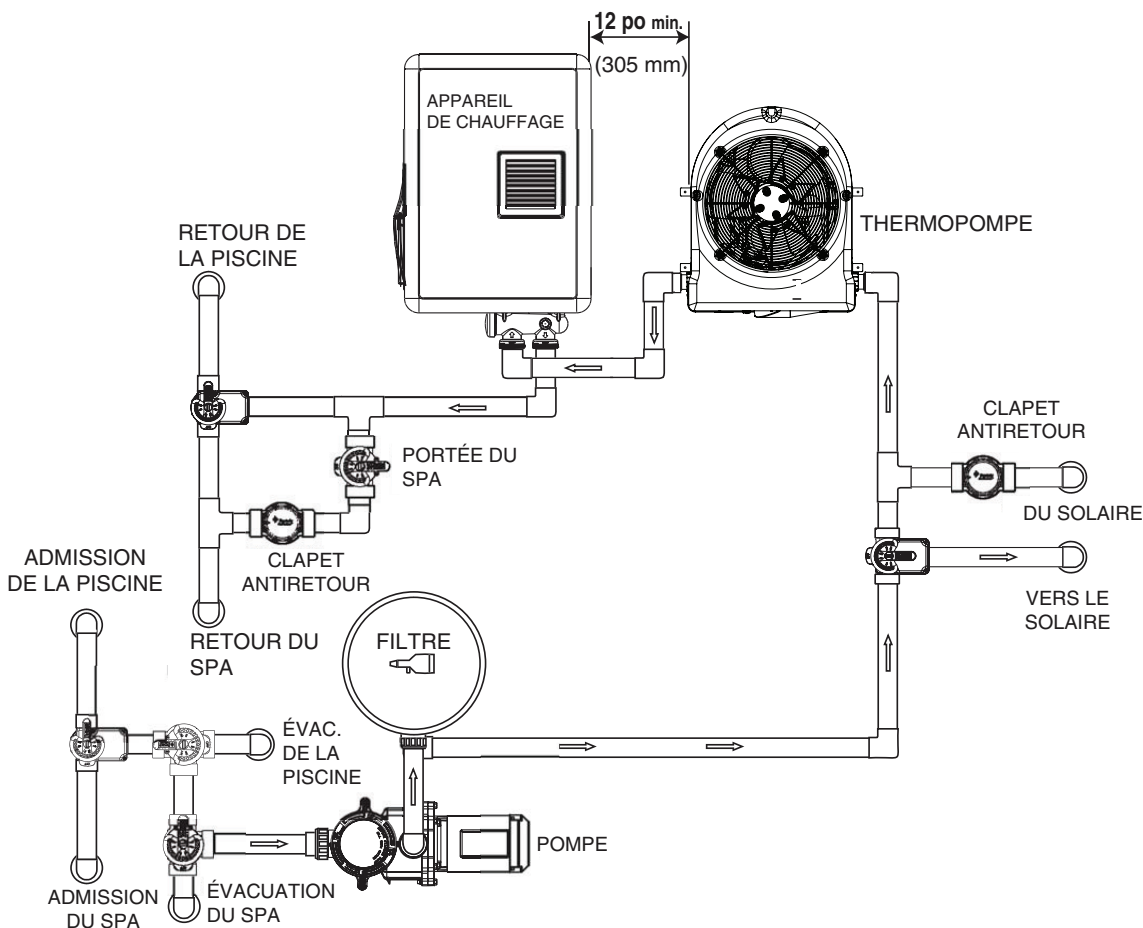
La plomberie recommandée pour un système de chauffage combiné avec thermopompe/appareil de chauffage/solaire pour une combinaison de piscine/spa est montrée ci-dessous. Votre système peut ne pas contenir tous ces composants, mais la plomberie de base s'applique en éliminant le composant dans l'illustration qui ne fait pas partie de votre système.

2. Connexions pour thermopompes multiples

Toute la plomberie sur des installations de thermopompes multiples doit être faite en parallèle (voir image ci-dessous). Un débit d'eau égal à chaque thermopompe est important pour un fonctionnement optimal.

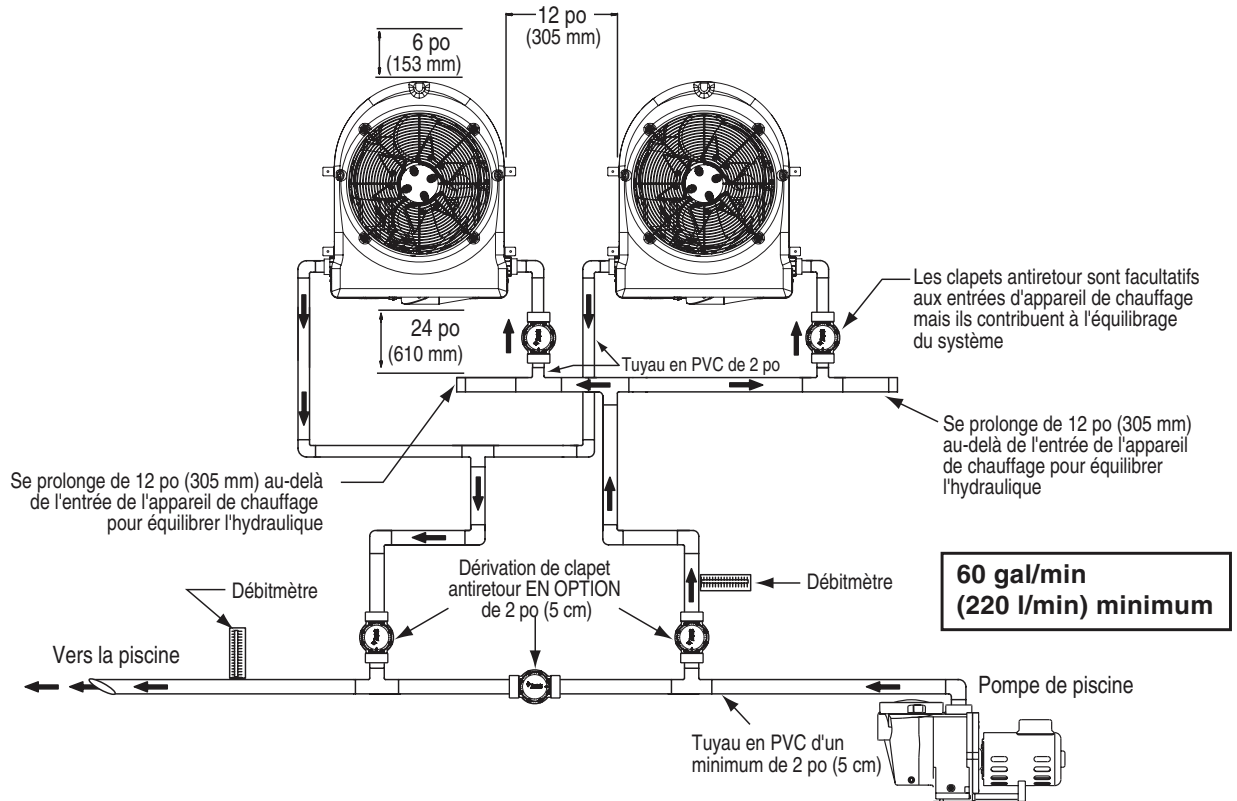
Remarque : Il peut être nécessaire d'ajuster le manostat de l'eau si un appareil est installé au-dessous du niveau d'eau. Reportez-vous à la page 43 pour plus de détails pour savoir quand et comment régler le manostat.

Chaque thermopompe dans une installation de l'unité multiple permet un taux maximum de débit de 380 l/min (100 gal/min) et nécessite un minimum de 110 l/min (30 gal/min).

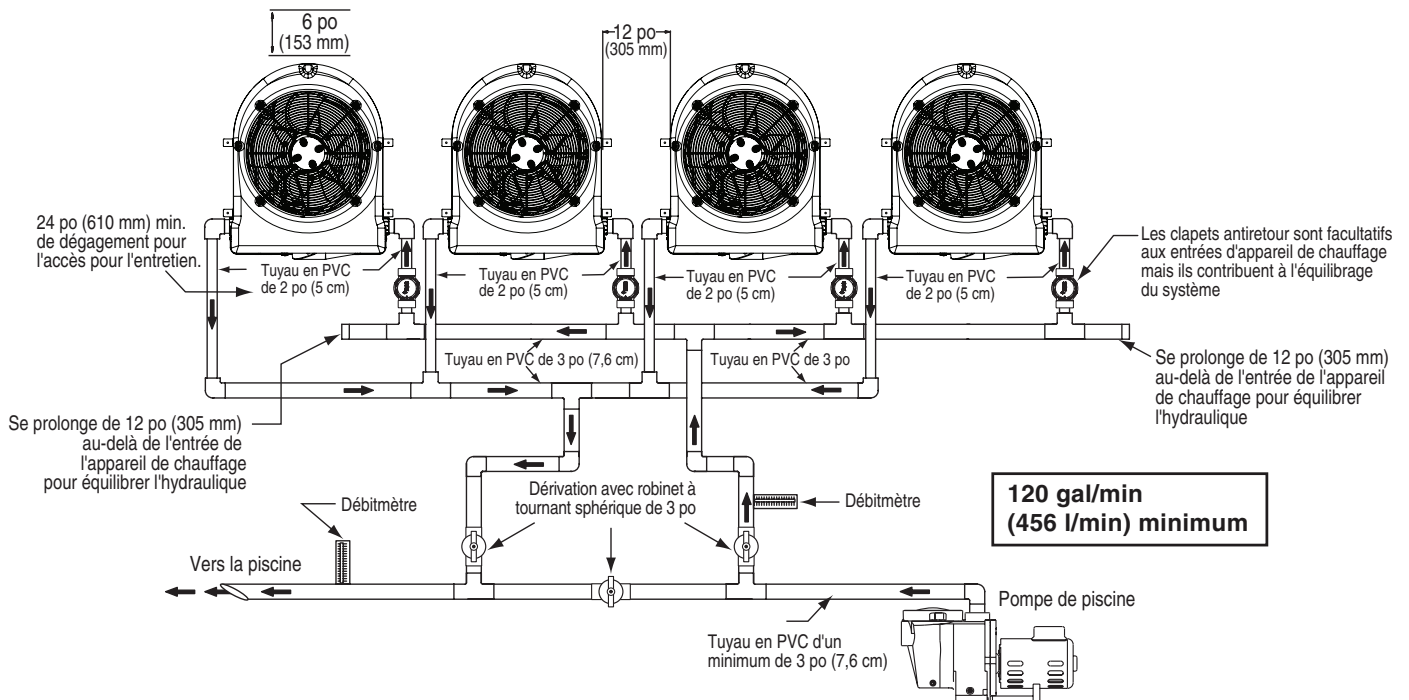


Combinaison d'appareil de chauffage et/ou solaire

Installation d'appareils multiples



Disposition de la plomberie pour deux thermopompes



Disposition de la plomberie pour quatre thermopompes

Connexions électriques et câblage



RISQUE DE DÉCHARGE ÉLECTRIQUE OU D'ÉLECTROCUTION.



Cette thermopompe a un câblage prévu pour une tension élevée. Le contact avec ces fils peut entraîner un risque d'électrocution d'où blessures graves, voire mortelles des utilisateurs, installateurs de la piscine ou autres personnes suite à une décharge électrique, pouvant aussi entraîner des dommages matériels. Veuillez toujours déconnecter le circuit électrique avant de brancher la thermopompe.



Étiquetez tous les fils avant de les débrancher lors de l'entretien des commandes. Les erreurs de câblage peuvent entraîner un fonctionnement inapproprié et dangereux. Vérifiez le bon fonctionnement après l'entretien.

Informations générales

Les connexions de câblage doivent être faites exactement comme il est indiqué dans le schéma de câblage à l'intérieur du panneau d'accès de la thermopompe, consultez les schémas de câblage pages 47-48.

La thermopompe doit comporter un moyen bien défini de mise à la terre et de métallisation. Il existe une connexion de la mise à la terre à l'intérieur du compartiment électrique de la thermopompe et une cosse de métallisation sur le côté gauche de la thermopompe.

Métallisation

Le National Electrical Code et la plupart des autres codes exigent que tous les composants métalliques d'une structure de la piscine, y compris l'acier d'armature, les accessoires en métal, et l'équipement au-dessus du sol soient liés ensemble par un conducteur en cuivre massif d'un calibre non inférieur à 8 AWG. La thermopompe avec les pompes et les autres équipements de la piscine doivent être connectés à ce réseau de métallisation. Une cosse de métallisation est prévue sur le côté gauche de la thermopompe pour que cette condition soit remplie.



Cet appareil de chauffage doit être connecté à un réseau de métallisation avec un fil de cuivre massif d'un diamètre non inférieur au calibre 8.

Alimentation principale

Le câblage électrique à la thermopompe doit être en conformité avec la dernière édition du National Electric Code (NEC), ANSI/National Fire Protection Association (NFPA) 70 aux États-Unis et au Canada, du Code canadien de l'électricité (CCE) C22 0.1, à moins que les exigences des codes locaux n'indiquent le contraire. Tout le câblage doit être effectué par un électricien certifié ou qualifié.

Ce qui suit est la méthode de câblage de la thermopompe à la source électrique :

Assurez-vous que l'alimentation au circuit de la thermopompe est coupée.

1. Retirez le panneau avant gauche du boîtier de la thermopompe (vous pouvez laisser la vis cruciforme en place dans le coin supérieur gauche).
2. Retirez le panneau de service du compartiment électrique de la thermopompe. (du coin gauche de l'appareil)
3. Les lignes d'alimentation électrique doivent passer par le conduit étanche à l'eau. Faites passer les câbles et les conduits de la source d'alimentation et connectez-les à la connexion du conduit sur le côté gauche de la thermopompe.
4. Connectez les câbles d'alimentation aux bornes inférieures sur le contacteur principal du compresseur comme sur le schéma de câblage.
5. Vérifiez que tous les autres fils du contacteur sont sécurisés, ils pourraient s'être desserrés pendant le transport.
6. Connectez le fil de mise à la terre à la cosse de mise à la terre prévue au fond du compartiment électrique.
7. Remplacez le panneau de service et réinstallez les vis pour le maintenir en place.
8. Remettez le panneau avant gauche.
9. Connectez un fil de métallisation en cuivre (8 AWG) à la cosse de métallisation sur le côté gauche de la thermopompe.

Schéma de câblage – (monophasé — 50 Hz/60 Hz)



FRANÇAIS

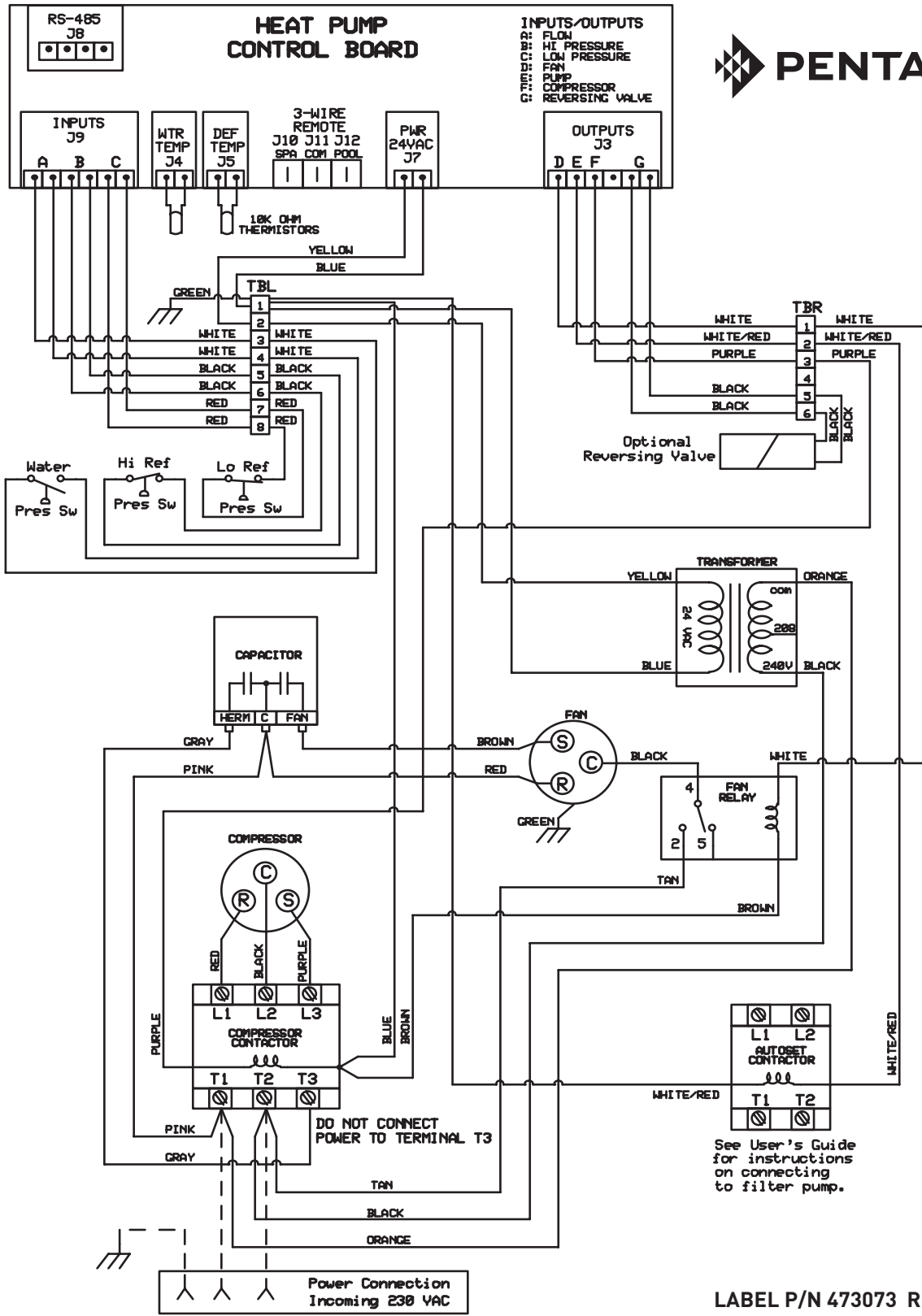
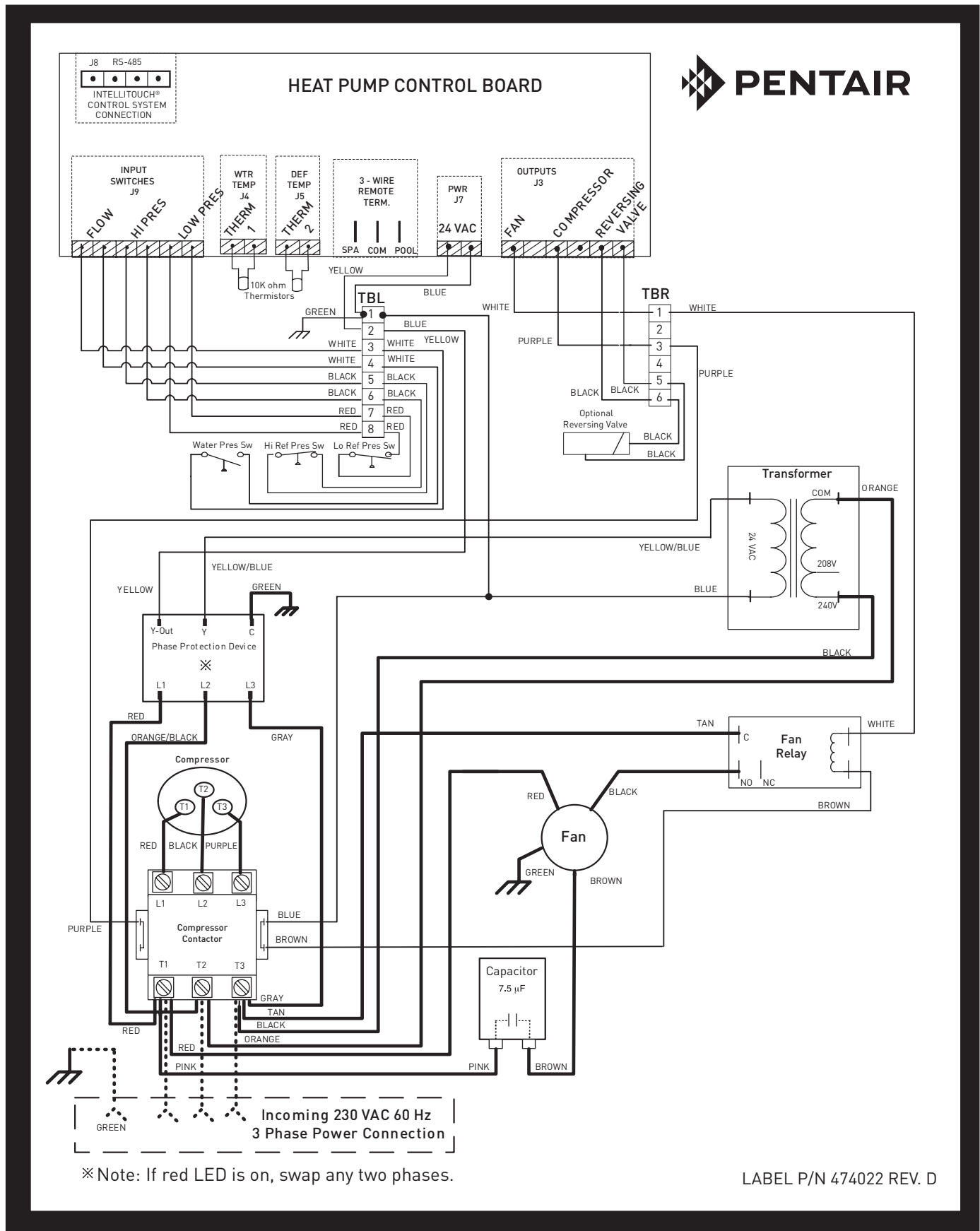


Schéma de câblage – (triphase – 60 Hz)



LABEL P/N 474022 REV. D

CONNEXION À UN SYSTÈME D'AUTOMATISATION

Fonctionnement à distance

La thermopompe peut être raccordée à un système d'automatisation par l'intermédiaire de bornes embrochables de télécommande à l'arrière du tableau de commande ou via le connecteur de communication RS-485 à l'arrière du tableau de commande. Reportez-vous à l'installation et au guide de l'utilisateur IntelliTouch® ou EasyTouch® pour plus d'informations.

REMARQUE : La connexion à distance via le connecteur RS-485 est disponible uniquement sur la version du logiciel 1,11 ou supérieure de IntelliTouch® et de EasyTouch®. Tous les autres modules d'automatisation doivent se connecter via les bornes « embrochables » (les bornes embrochables ne sont pas fournies).

Télécommandes relais

Le câblage électrique doit être en conformité avec la dernière édition du NEC (NFPA 70) aux États-Unis et du CEC (CSA 22.1) au Canada, sauf si les exigences des codes locaux indiquent le contraire.

Pour raccorder un appareil de télécommande à la thermopompe, exécutez les étapes suivantes :

1. Coupez l'alimentation à la fois au système de télécommande de la piscine/spa et à la thermopompe.
2. Retirez le panneau avant gauche du boîtier de la thermopompe (vous pouvez laisser la vis cruciforme en place dans le coin supérieur gauche).
3. Retirez le panneau de service électrique de la thermopompe. Retirez les 4 vis de retenue du boîtier au-dessus du compartiment électrique et faites tourner le boîtier vers le bas. Cela vous permettra d'accéder aux bornes de la télécommande à l'arrière du tableau de commande de la thermopompe pour l'installation de la télécommande.

4. Faites passer les fils du système de télécommande de la piscine/du spa au compartiment électrique supérieur.
5. Connectez le câblage du système de télécommande de la piscine/du spa aux bornes de télécommande de la thermopompe en utilisant les connecteurs « embrochables » de 6 mm (¼ po) comme sur l'image ci-dessous.
6. Faites tourner le boîtier vers le haut en position et réinstallez les 4 vis de retenue.
7. Remettez le panneau de service électrique.
8. Remettez le panneau avant gauche.
9. Rétablissez l'alimentation électrique à la thermopompe et au système de télécommande de la piscine/du spa.
10. Appuyez sur le bouton « Menu Select » (Sélection - Menu) à plusieurs reprises pour un défilement jusqu'à l'écran de la télécommande relais. Choisissez en appuyant sur l'une des flèches jusqu'à ce que l'écran affiche « Relay Remote On » (Télécommande relais en Marche).
11. Mettez la thermopompe en marche.

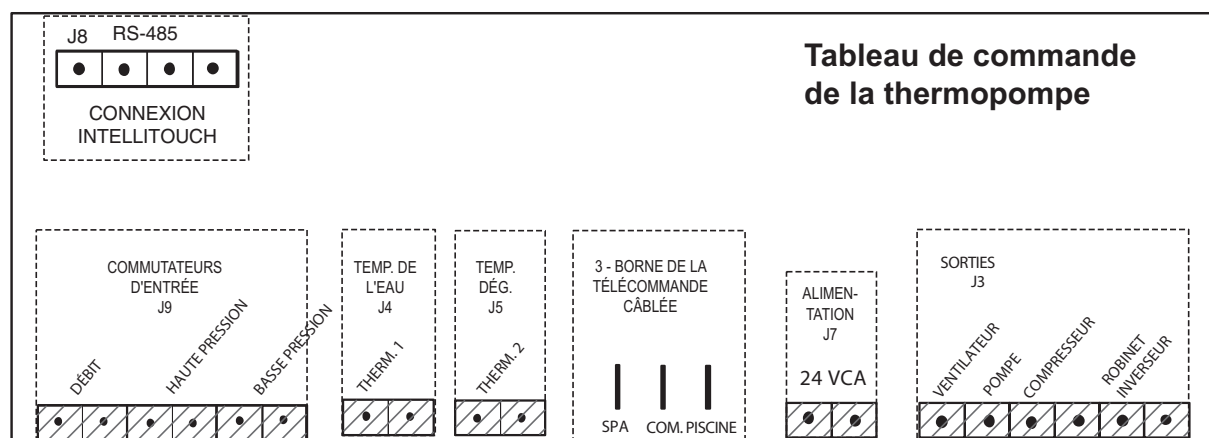


Tableau de commande de la thermopompe

Bornes « embrochables » de 6 mm (¼ po)

Raccordement de la thermopompe au centre d'alimentation de l'IntelliTouch® ou d'EasyTouch® au moyen des bornes embrochables de la thermopompe.

Pour connecter le câble de la thermopompe à la Carte de personnalité au centre d'alimentation de l'IntelliTouch® ou d'EasyTouch® :

1. Coupez l'alimentation du système principal avant de faire des connexions.
2. Déverrouillez les loquets à ressort de la porte avant, et ouvrez la porte d'entrée du centre d'alimentation de l'IntelliTouch® ou d'EasyTouch®.
3. Desserrez les deux vis de retenue depuis le haut du panneau de commande et abaissez le panneau de commande pour accéder à la Carte de personnalité.
4. Faites passer un câble conducteur approuvé UL à partir de l'Ultra Temp® jusqu'au centre d'alimentation.
5. Faites passer le câble par le chemin de câbles basse tension situé à gauche du centre d'alimentation de la Carte de personnalité, voir l'image ci-dessous.
6. Insérez la prise du câble UltraTemp® sur le connecteur de la borne de l'appareil de chauffage au gaz sur le côté gauche de la Carte de personnalité.

7. Si la thermopompe est utilisée en conjonction avec un appareil de chauffage au gaz, utilisez un nécessaire de relais de l'appareil de chauffage double 520403. Branchez le connecteur relais de la thermopompe sur la borne SOLAIRE en haut au centre de la Carte de personnalité. Suivez les instructions du nécessaire de relais de l'appareil de chauffage double pour d'autres détails de configuration. Assurez-vous d'installer le capteur de température solaire selon les instructions.
8. Soulevez le panneau de commande en position et fixez-le avec les deux vis.
9. Connectez le câblage du centre d'alimentation de l'IntelliTouch® ou d'EasyTouch® aux bornes de télécommande de la thermopompe en utilisant des bornes « embrochables » de 6 mm (¼ po), reportez-vous à la page précédente pour obtenir des instructions de câblage.

Remarque : Le capteur de température solaire pourrait être laissé non fixé dans le centre d'alimentation. Le système d'automatisation n'utilise pas la lecture de température, mais recherche simplement la résistance.

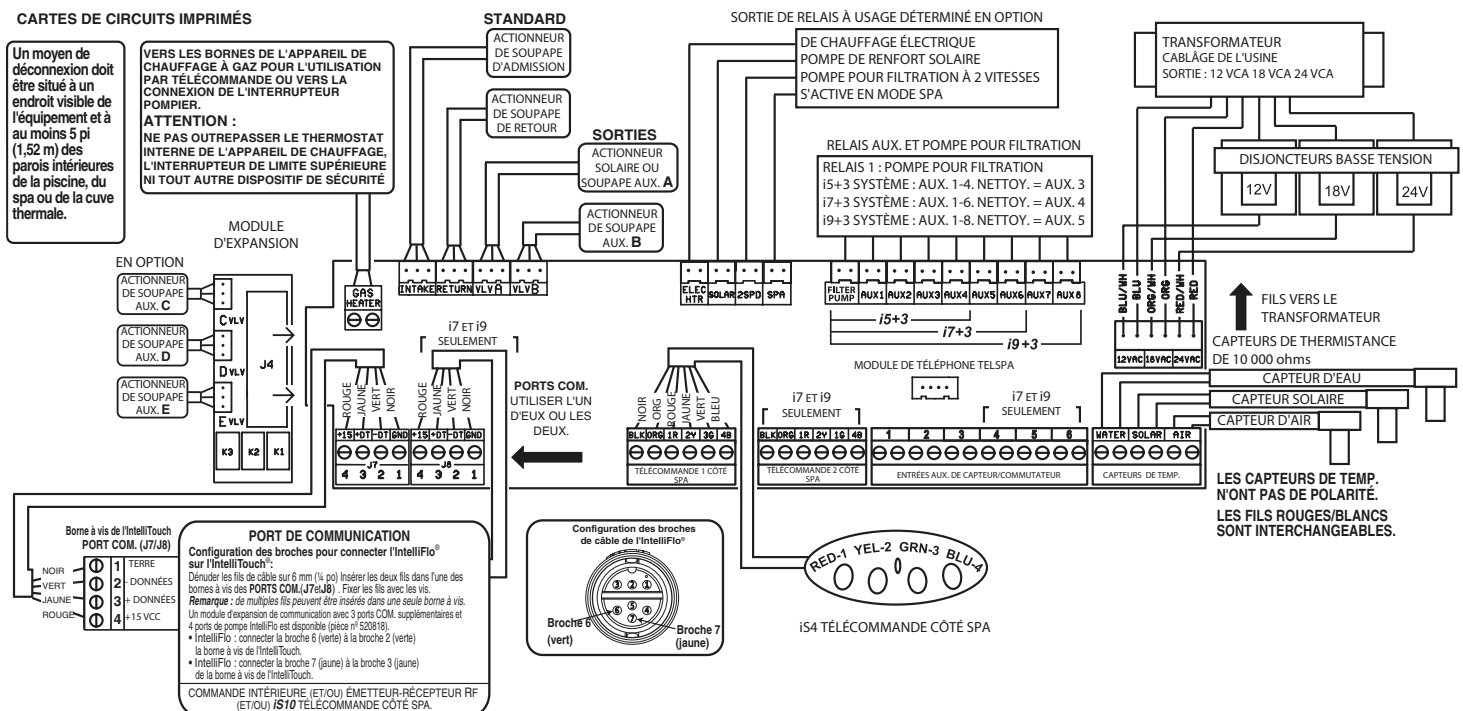


Schéma de câblage du Centre d'alimentation IntelliTouch/EasyTouch

Raccordement de la thermopompe au Centre d'alimentation de l'IntelliTouch® ou d'EasyTouch® au moyen du connecteur RS-485



Mettez l'appareil hors tension au centre d'alimentation de l'IntelliTouch® ou d'EasyTouch® avant l'entretien.

La thermopompe peut être commandée par un système IntelliTouch® ou EasyTouch® via le câble de communication RS-485. Dans cette configuration, IntelliTouch® ou EasyTouch® a priorité sur les consignes de température prédéfinies sur la thermopompe et fera démarrer ou arrêter la thermopompe.

Le transfert de ces données prend plusieurs secondes et provoque un retard entre le moment où la commande est donnée par le panneau de commande intérieur d'IntelliTouch® ou d'EasyTouch® et celui où la thermopompe répond physiquement. Cela se fait automatiquement, mais peut prendre de 1 à 2 minutes.

Remarque : Les consignes du tableau de commande de la thermopompe seront affichées, mais la fonctionnalité sera désactivée. Pour plus d'informations, reportez-vous au Guide de l'utilisateur (pièces n° 520102) d'IntelliTouch® ou au Guide de l'utilisateur (pièces n° 520584) d'EasyTouch® ou au Guide de l'utilisateur du système sans fil (pièces n° 520688) d'EasyTouch®.

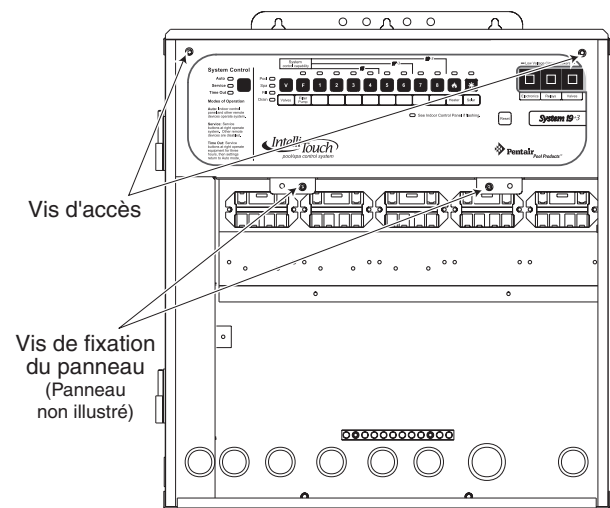
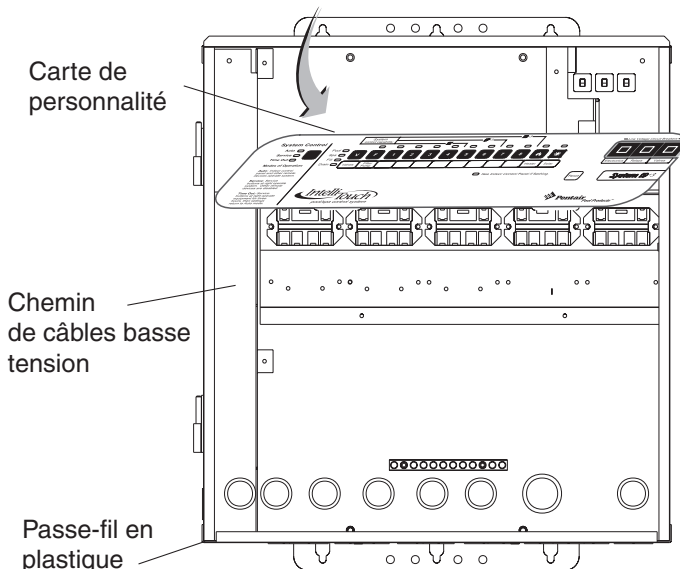
La connexion de la carte de la thermopompe au système d'IntelliTouch® ou d'EasyTouch® se fait via le câble optionnel à quatre fils (pièces n° 520199).

Pour connecter le câble de la carte de la thermopompe au centre d'alimentation d'IntelliTouch® ou d'EasyTouch® :

1. Déverrouillez les loquets à ressort de la porte avant du centre d'alimentation d'IntelliTouch® ou d'EasyTouch® et ouvrez la porte avant.
2. Retirez les vis de fixation du panneau qui fixent le couvercle du panneau haute tension, et retirez-le de l'enceinte.
3. Desserrez les deux vis d'accès du panneau de commande et baissez le panneau de commande extérieur.
4. Insérez le câble à quatre fils dans le passe-fil en plastique sur le fond de l'enceinte et passez le fil par le chemin de câbles basse tension jusqu'à la Carte de personnalité.
5. Dénudez les fils du câble sur 6 mm (¼ po). Insérez les fils dans l'un des ORIFICES COM (J7 et J8), vissez les bornes situées sur le côté gauche de la Carte de personnalité. Fixez les fils avec les vis. Pour les détails sur le câblage, reportez-vous à la configuration des broches comme il est illustré.

Remarque : de multiples fils peuvent être insérés dans une seule borne à vis.

6. Fermez le panneau de commande IntelliTouch® et fixez-le avec les deux vis d'accès.
7. Installez le couvercle du panneau haute tension et fixez-le avec les deux vis de retenue.
8. Fermez la porte avant du centre d'alimentation et fixez-la avec les deux loquets.
9. Mettez sous tension le centre d'alimentation IntelliTouch®.

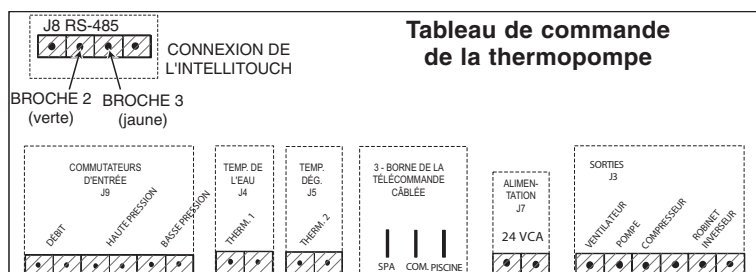
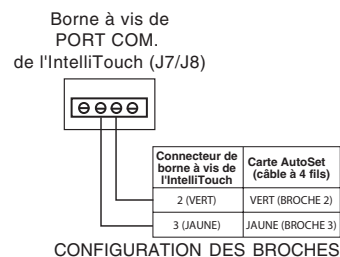
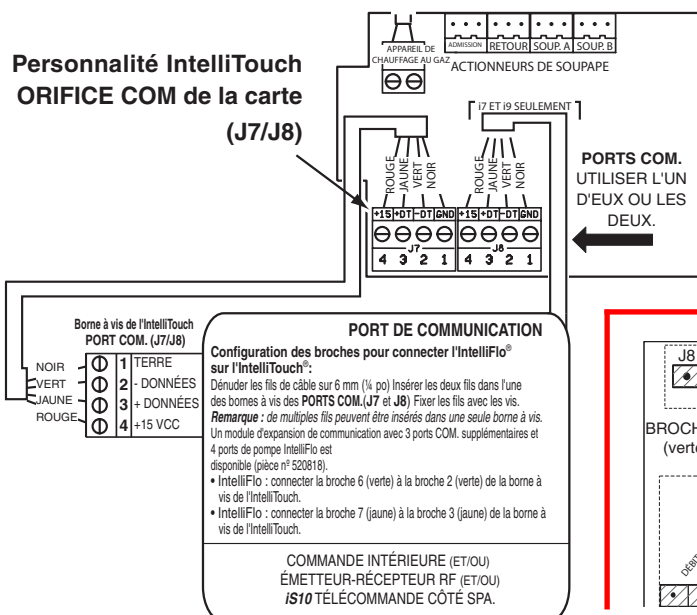


Centre d'alimentation IntelliTouch®

Configuration des broches pour le tableau de commande de la thermopompe à l'IntelliTouch®

1. Tableau de commande de la thermopompe : Connectez la broche 2 (verte) à la broche 2 (verte) de la borne à vis de l'IntelliTouch®.
2. Tableau de commande de la thermopompe : Connectez la broche 3 (jaune) à la broche 3 (jaune) de la borne à vis de l'IntelliTouch®.

IMPORTANT — Ne **PAS** utiliser la broche 1 (noire) ou la broche 4 (rouge) sur la carte AutoSet ou sur la carte mère IntelliTouch®.



Connexion de l'IntelliTouch® ou d'EasyTouch® à la thermopompe

1. Coupez l'alimentation à la fois au système de télécommande de la piscine/spa et à la thermopompe.
2. Retirez le panneau avant gauche du boîtier de la thermopompe (vous pouvez laisser la vis cruciforme en place dans le coin supérieur gauche).
3. Retirez le panneau de service électrique de la thermopompe. Retirez les 4 vis de retenue du boîtier au-dessus du compartiment électrique et faites tourner le boîtier vers le bas. Cela vous permettra d'accéder aux bornes de la télécommande à l'arrière du tableau de commande de la thermopompe pour l'installation de la télécommande.
4. Faites passer les fils du système de télécommande de la piscine/du spa au compartiment électrique supérieur.
5. Connectez le câblage de l'ORIFICE COM de la carte de personnalité d'IntelliTouch® à la connexion (J8) IntelliTouch® RS-485 sur le tableau de commande de la thermopompe. Connectez le fil vert à la broche 2 J8 et le fil jaune à la broche 3 J8. N'utilisez PAS les fils de la broche 1 (rouge) ou de la broche 4 (noire). Les connexions sont montrées dans l'image ci-dessous.
6. Faites tourner le boîtier vers le haut en position et réinstallez les 4 vis de retenue.
7. Remettez le panneau de service électrique.
8. Remettez le panneau avant gauche.
9. Rétablissez l'alimentation électrique à la thermopompe et au système de télécommande de la piscine/du spa.
10. Appuyez sur le bouton « Menu Select » (Sélection - Menu) pour un défilement jusqu'à l'écran de la télécommande relais. Choisissez en appuyant sur l'une des flèches jusqu'à ce que l'écran affiche « Relay Remote OFF » (Télécommande relais à l'arrêt).
11. Une fois la thermopompe configurée correctement, un indicateur de type « pulsation » apparaîtra à l'écran principal chaque fois qu'un message sera reçu du système d'automatisation.

CHAUFFAGE DE LA PISCINE F ★ POOL HEATING F ★ --- Indicateur de type pulsation
 CONFIGURÉ= SANS OBJET ACT= 74 SET= N/A ACT= 74

Remarque : Si le système est placé en mode Service (Maintenance) au panneau de commande d'automatisation, la thermopompe ne pourra ni chauffer ni refroidir, mais elle demeurera allumée.

UTILISATION DE LA THERMOPOMPE



PRÉCAUTION N'utilisez pas cette thermopompe si une partie quelconque a été sous l'eau. Appelez immédiatement un technicien de service qualifié pour inspecter l'appareil de chauffage et remplacer toute pièce du système de commande qui a été sous l'eau. Gardez tous les objets hors de la partie supérieure de la thermopompe. L'obstruction de la circulation de l'air peut endommager l'appareil et peut annuler la garantie.

ATTENTION - PRÉCAUTIONS DE DÉMARRAGE INITIALES

Après que le manostat de l'eau est activé, il y a une temporisation de détection de température d'une minute puis, s'il y a une demande pour chauffer ou pour refroidir, le ventilateur se mettra en marche et il y aura une temporisation supplémentaire de 5 minutes pour faire démarrer le compresseur. Assurez-vous qu'il y a de l'eau dans la piscine et que le niveau de la surface est au-dessus de l'écumoire ou d'autres entrées du système de filtration de la piscine.

La pompe de la piscine doit être en marche et il doit y avoir un écoulement d'eau à travers la thermopompe pour qu'elle puisse fonctionner.

Avec toute nouvelle installation de piscine ou de spa, faites fonctionner la pompe pour filtration avec la thermopompe arrêtée assez longtemps afin de nettoyer complètement l'eau. Cela permettra d'éliminer tout résidu de l'eau après l'installation. Nettoyez le filtre à la fin de cette opération, avant de démarrer la thermopompe. Lorsque vous augmentez la température d'une piscine contenant de l'eau froide, réglez l'horodateur pour faire fonctionner la pompe continuellement. Cela permet au système de filtration et à la thermopompe de fonctionner continuellement jusqu'à ce que l'eau atteigne la température réglée sur la commande de la température. Lorsque cela se produit, la thermopompe s'arrête automatiquement, mais la pompe pour filtration reste toujours en marche.

Conseils pour économiser de l'énergie avec la piscine

Il est important de noter que la thermopompe ne chauffera pas une piscine aussi rapidement qu'un appareil de chauffage à gaz de grande puissance ou comme un chauffe-piscine électrique. Si l'eau de la piscine se refroidit de façon significative, cela peut prendre plusieurs jours pour revenir à la température souhaitée pour se baigner.

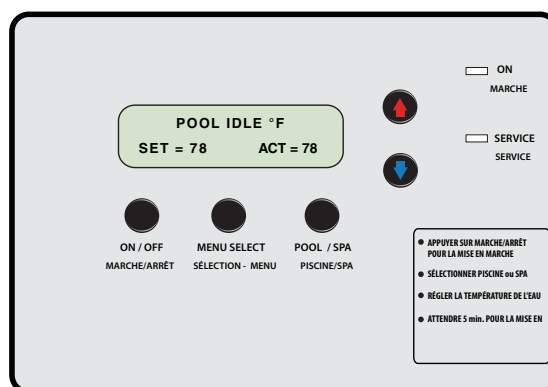
Pour une utilisation les fins de semaine, il est plus économique de maintenir la température de l'eau à ou près de la température souhaitée. Pour une non utilisation prolongée, mettez la thermopompe complètement à l'arrêt ou diminuez le réglage de la commande de la température de plusieurs degrés afin de minimiser la consommation d'énergie.

Pentair offre les recommandations suivantes pour aider à économiser l'énergie et à minimiser le coût d'utilisation de votre thermopompe sans sacrifier le confort.

1. La Croix-Rouge américaine recommande une température maximale de l'eau de 25°C [78°F]. Utilisez un thermomètre de piscine précis. Un écart de 2°C [4°F], entre 26°C et 28°C [78°F et 82°F], augmentera considérablement la consommation d'énergie.
2. Surveillez attentivement la température de l'eau de votre piscine en été. Vous pouvez réduire l'utilisation de la thermopompe lors de températures de l'air plus élevées.
3. Pendant l'hiver ou lorsque vous êtes en vacances pendant plus d'une semaine, éteignez la thermopompe.
4. Trouvez le bon réglage sur la commande de la température de la thermopompe et utilisez la fonction de Verrouillage du clavier pour éviter d'autres ajustements.
5. Lorsque cela est possible, mettez la piscine à l'abri des vents dominants avec des haies bien taillées ou d'autres aménagements paysagers, des cabanons ou des clôtures.
6. Pentair recommande l'utilisation d'une couverture de piscine. En plus de fournir un dispositif de sécurité important, une couverture de piscine réduira les pertes de chaleur conservera les produits chimiques, et réduira la charge sur les systèmes de filtration.

Aperçu du panneau de commande de la thermopompe

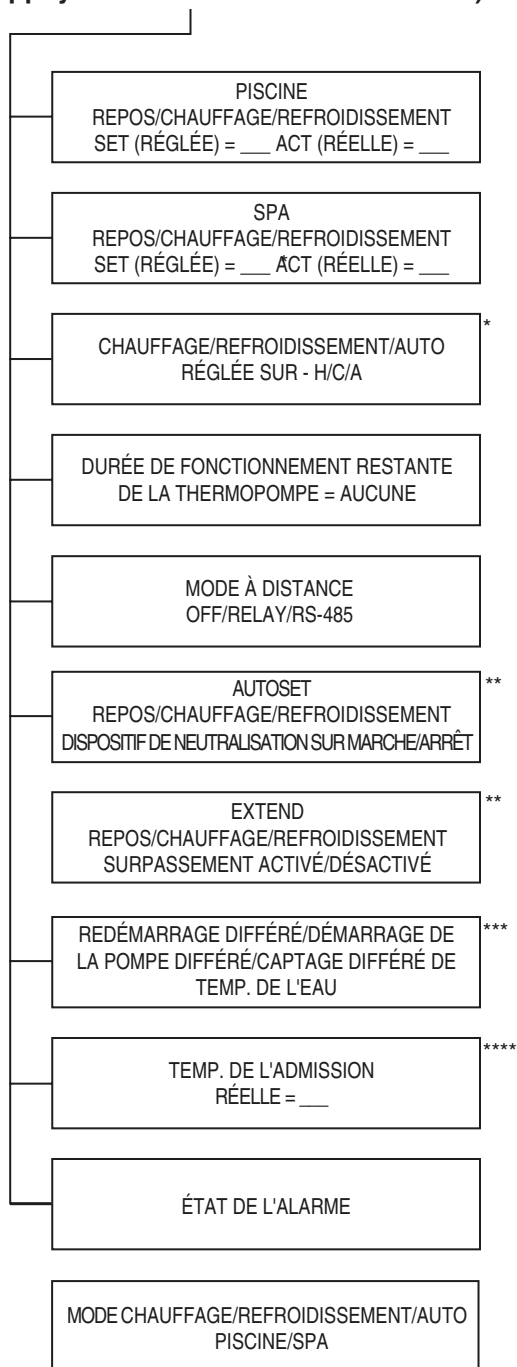
1. **Bouton Marche/Arrêt** - Met la thermopompe en Marche et à l'Arrêt.
2. **Bouton MENU SELECT** - Affiche les écrans de sélection de menu. Cela est utilisé également pour faire défiler les menus de configuration d'opérateur
3. **Bouton POOL/SPA** - Si vous appuyez une fois, le mode de chauffage, de climatisation ou automatique actuel sera affiché avec le point de consigne actif, piscine ou du spa. Une nouvelle pression permet de passer d'un écran de points de consigne de piscine ou spa à un autre. L'opérateur peut également passer du point de consigne de la piscine à celui du spa en utilisant les flèches HAUT et BAS.
4. **Boutons de Flèche HAUT et BAS** - Le flèches HAUT et BAS permettent d'augmenter ou d'abaisser la consigne de température si vous appuyez pendant que l'écran d'exécution s'affiche. Ils sont également utilisés pour faire défiler les valeurs des divers paramètres sur le Menu Sélection et sur les écrans de configuration de l'opérateur.
5. **ÉCRAN LCD** - Affiche la température de l'eau, la température de consigne et les paramètres de la thermopompe.
6. **Témoin ALLUMÉ** - Indique que la thermopompe est en marche.
7. **Témoin SERVICE** - Allumé si une condition d'alarme existe.



Panneau de commande de la thermopompe

Guide du menu de l'opérateur

(Appuyez sur le bouton MENU SELECT)



* Ce menu apparaît uniquement si les modes Heat (Chauffage) et Cool (Refroidissement) sont activés en usine.

** Ce menu apparaît uniquement si les modes AutoSet (Configuration automatique) ou Extend (Prolongation) sont activés dans le menu Service (Maintenance).

*** Ce menu apparaît uniquement si un délai est actif.

**** Ce menu apparaît uniquement si le mode Defrost (Dégivrage) est activé dans le menu Service (Maintenance).

Navigation du menu de l'opérateur

Appuyez sur le bouton MENU SELECT pour visualiser chaque écran. Si aucune activité n'est détectée au bout de 15 secondes alors que l'on est dans les écrans de menu, l'écran principal est affiché.

1. Écrans d'exécution Pool (Piscine) et Spa

Affiche si la thermopompe est au repos, en chauffage ou en refroidissement et si le point de consigne Piscine ou Spa est actif. Affiche le point de consigne de la température de l'eau et la température mesurée réelle de l'eau.

* 2. Écran de sélection du mode Heat (Chauffage) ou Cool (Refroidissement)

Cet écran apparaît uniquement sur les thermopompes disposant des modes Heat (Chauffage) et Cool (Refroidissement). Il permet à l'opérateur d'alterner entre les modes Chauffage seulement, Refroidissement seulement et Chauffage/Refroidissement automatique de la thermopompe.

3. Écran de la minuterie de la thermopompe

Cette fonctionnalité représente une minuterie ajustable permettant à la thermopompe de s'activer (voyant vert ALLUMÉ) un certain nombre de fois, puis de s'éteindre (voyant vert ÉTEINT).

4. Écran du mode de contrôle à distance

Permet à l'opérateur de sélectionner le mode de contrôle à distance : Off (Désactivé), Relay (Relais) ou RS-485 (en série). En mode de contrôle à distance RS-485, la thermopompe est contrôlée par un régulateur d'automatisation. Les points de consigne Piscine et Spa locaux ne sont pas actifs (« N/A » s'affiche) dans ce mode.

** 5. Écran AutoSet (Configuration automatique) Activé/Désactivé

Cet écran apparaît uniquement si le mode AutoSet (Configuration automatique) est activé dans le menu Service (Maintenance); il permet à l'opérateur d'activer et de désactiver le mode AutoSet (Configuration automatique). Le mode AutoSet (Configuration automatique) met sous tension un contacteur durant un cycle et démarre une pompe à filtre à distance, ce qui permet à la thermopompe de chauffer ou de refroidir l'eau selon le besoin.

** 6. Écran Extend (Prolongation) Activé/Désactivé

Cet écran apparaît uniquement si le mode Extend (Prolongation) est activé dans le menu Service (Maintenance); il permet à l'opérateur d'activer et de désactiver le mode Extend (Prolongation). Le mode Extend (Prolongation) met sous tension un contacteur durant un cycle et démarre une pompe à filtre à distance, ce qui permet à la thermopompe de chauffer ou de refroidir l'eau selon le besoin.

*** 7. Écran des délais

Si la thermopompe est en attente pour un redémarrage, un démarrage de la pompe ou une mesure de la température de l'eau, cet écran affiche la durée restante du délai.

**** 8. Écran de température d'aspiration

Affiche la température de la conduite d'aspiration du frigorigène. Cet écran apparaît si le mode Defrost (Dégivrage) est activé.

9. Écran d'alarme

S'affiche si une condition d'alarme est respectée. Si aucune alarme n'est active, l'écran affiche ALARM STATUS NONE (état de l'alarme : aucune). Le tableau de commande peut stocker un historique allant jusqu'à 30 alarmes précédentes. À l'écran d'état de l'alarme, appuyez sur la flèche BAS. La première alarme affichée est la plus récente. Des pressions additionnelles (jusqu'à 30) sur la flèche BAS feront défiler l'historique des alarmes en ordre d'occurrence. L'opérateur peut remonter la liste en appuyant sur la flèche HAUT. Une option est également présente pour effacer l'historique.

10. Écran du mode d'opération

Affiche si la thermopompe est en mode Heat (Chauffage), Cool (Refroidissement) ou Auto (Automatique). Affiche également si le point de consigne Pool (Piscine) ou Spa est actif. Le point de consigne actif peut être échangé entre Pool (Piscine) et Spa à l'aide des flèches HAUT et BAS.

Utilisation du panneau de commande

Démarrage et arrêt de la thermopompe

La thermopompe est démarrée et arrêtée avec le bouton MARCHE/ARRÊT

1. Démarrage - Avec une alimentation fournie à la thermopompe, appuyez sur la touche MARCHE/ARRÊT pour démarrer la thermopompe. Le témoin MARCHE doit être allumé.
2. Arrêt - Appuyez sur le bouton MARCHE/ARRÊT pour arrêter la thermopompe, le témoin MARCHE s'éteint. L'écran illustré ci-dessous sera affiché temporairement.

PENTAIR AQUATICS
HEAT PUMP OFF

THERMOPOMPE À EAU PENTAIR
À L'ARRÊT

Remarque : Lorsque le câble de communication RS-485 est connecté, la thermopompe ne répond pas aux commandes des boutons d'affichage du panneau de commande à l'exception de la commande Marche/Arrêt.

Changement du point de consigne (température)

Le tableau de commande dispose de 2 réglages indépendants de points de consigne de température. Un pour commander la température de la piscine et l'autre pour commander la température du spa. Le mode de fonctionnement actif (piscine ou spa) est défini comme le point de consigne « actif ».

1. Appuyez sur la touche MENU SELECT, plusieurs fois, jusqu'à ce que l'écran d'exécution connexe soit affiché. Appuyez sur les flèches HAUT ou BAS pour ajuster le point de consigne de la température de la piscine ou du spa.
SET = ___ - Point de consigne
ACT = ___ - La température mesurée réelle de l'eau
2. L'écran revient automatiquement à l'écran de fonctionnement actif après 15 secondes d'inactivité sur le clavier.

POOL
IDLE/HEAT/COOL
SET=___ ACT=___

PISCINE
REPOS/CHAUFFAGE/REFROIDISSEMENT
SET (RÉGLÉE) = ___ ACT (RÉELLE) = ___

Modes Chauffage, Refroidissement et Auto

Certains modèles ont la capacité à la fois de chauffer et de refroidir. Ces thermopompes peuvent être configurées pour fonctionner dans n'importe lequel des trois modes :

- Mode chauffage seulement
 - Mode Refroidissement seulement
 - Chauffage et Refroidissement automatique :
La thermopompe passe automatiquement entre le chauffage et le refroidissement selon que la température de l'eau est inférieure ou supérieure au point de consigne actif.
1. Si l'option de refroidissement est disponible, appuyez sur la touche MENU SELECT jusqu'à ce que les écrans de Chauffage ou Refroidissement s'affichent.
 2. Appuyez sur les flèches HAUT ou BAS pour passer à l'une des options chauffage, refroidissement ou auto. La dernière option affichée sur l'écran devient active.

Minuterie de la thermopompe

This feature is an adjustable timer to allow the heat pump to run for a predetermined amount of time (green light ON) and then turn OFF (green light OFF).

During the selected time frame, the green light is ON and the heat pump functions in the normal mode of operation. When time expires the green light turns OFF and the heat pump turns off. Countdown time is in hours and minutes.

Pour activer la minuterie de la thermopompe :

1. Appuyez sur la touche MENU SELECT, plusieurs fois, jusqu'à ce que l'écran de la minuterie de la thermopompe soit affiché.
2. Appuyez sur les flèches HAUT ou BAS pour régler la durée (plage de 10 minutes à 99 heures). La minuterie est réglable en incréments de 10 minutes.
Si la thermopompe est déjà en marche, le réglage de la minuterie activera et démarrera la thermopompe.
3. L'utilisateur peut également modifier l'heure alors que la minuterie est active à l'aide des touches de flèche, seulement si le mode distant est désactivé. Configuration du mode remote à relais ou RS-485 désactive la minuterie de la thermopompe au niveau du panneau de commande.
4. Toute communication RS-485 reçue réinitialisera la minuterie à zéro. Le RS-485 a priorité sur le fonctionnement de la minuterie de la thermopompe.
5. La minuterie peut être désactivée en appuyant sur la flèche BAS et les boutons PISCINE/SPA en même temps, ou en appuyant sur le bouton MARCHE/ARRÊT.

HEAT PUMP RUNTIME
REMAINING - 00:10

DURÉE DE FONCTIONNEMENT
DE LA THERMOPOMPE
RESTANTE - 00:10

Contrôle à distance avec relais

En mode de contrôle à distance avec relais, la thermopompe est démarrée et arrêtée par des relais à distance branchés aux bornes de connexion rapide à distance POOL (PISCINE), COMMON (COMMUNE) et SPA, au dos du tableau de commande.

Lorsque la conductivité est créée entre les bornes POOL (PISCINE) et COMMON (COMMUNE) ou les bornes SPA et COMMON (COMMUNE), la thermopompe démarre. Toutes les autres fonctionnalités (à l'exception de la minuterie de la thermopompe) demeurent actives. La thermopompe ne chauffera pas au-delà de 40 °C et ne refroidira pas à moins de 7,2 °C (de 104 °F à 45 °F).

Pour activer le mode de contrôle à distance avec relais :

1. Appuyez sur MENU SELECT à plusieurs reprises, jusqu'à ce que l'écran du mode de contrôle à distance s'affiche. Une fois affiché, appuyez sur les flèches HAUT ou BAS pour sélectionner RELAY (Relais). La dernière option affichée à l'écran devient active.
2. Appuyez sur MENU SELECT à plusieurs reprises, jusqu'à ce que l'écran du mode Chauffage/Refroidissement/Auto s'affiche. Appuyez sur les flèches HAUT ou BAS pour alterner entre HEAT (Chauffage), COOL (Refroidissement) et AUTO (Automatique). Sélectionnez HEAT (Chauffage) ou COOL (Refroidissement). AUTO n'est pas un choix valide lorsque la thermopompe est en mode de contrôle à distance avec relais.

REMOTE MODE
RELAY

MODE DE CONTRÔLE
À DISTANCE AVEC RELAIS

Contrôle à distance RS-485 (câble en série)

Consultez les guides de l'utilisateur pour l'installation des systèmes de contrôle IntelliTouch® ou EasyTouch® pour obtenir des instructions de configuration supplémentaires.

En mode de contrôle à distance RS-485, la thermopompe est démarrée et arrêtée à l'aide d'une ligne de communication RS-485 et d'un régulateur d'automatisation Pentair. Cela signifie que les contrôles d'automatisation à distance remplacent le point de consigne local de la thermopompe. Les erreurs de température élevée ou basse demeurent actives; la thermopompe ne chauffera pas au-delà de 40 °C et ne refroidira pas à moins de 7,2 °C (de 104 °F à 45 °F).

Remarque : Si le système est placé en mode Service (Maintenance) au panneau de commande d'automatisation, la thermopompe ne pourra ni chauffer ni refroidir, mais elle demeurera allumée.

Pour activer le mode de contrôle à distance RS-485 :

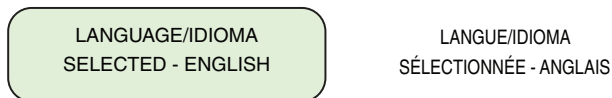
- Appuyez sur MENU SELECT à plusieurs reprises, jusqu'à ce que l'écran du mode de contrôle à distance s'affiche. Une fois affiché, appuyez sur les flèches HAUT ou BAS pour sélectionner RS-485.



Pour utiliser le mode de contrôle à distance RS-485, l'écran Intell Address (Adresse Intell) du menu Service (Maintenance) doit être assigné à la bonne adresse. L'adresse un (1) est la plus couramment utilisée.

L'adresse de l'écran Intell Address (Adresse Intell) doit correspondre à l'adresse assignée à la thermopompe. L'adresse de la thermopompe peut être modifiée à partir du menu Service (Maintenance) comme suit :

- Appuyez sur les flèches HAUT et BAS simultanément. L'écran Language Selection (Sélection de la langue) devrait s'afficher.

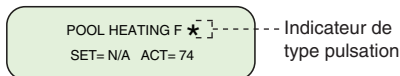


- Appuyez sur MENU SELECT à plusieurs reprises, jusqu'à ce que l'écran Intell Address (Adresse Intell) s'affiche. Une fois affiché, appuyez sur les flèches HAUT ou BAS pour sélectionner l'adresse utilisée par le régulateur d'automatisation. La dernière adresse affichée à l'écran devient active.



- Une fois la thermopompe configurée correctement, un indicateur de type « pulsation » apparaîtra à l'écran principal chaque fois qu'un message sera reçu du système d'automatisation.

CHAUFFAGE DE LA PISCINE F ★ CONFIGURÉ= SANS OBJET ACT= 74



AutoSet (Configuration automatique)

La fonctionnalité AutoSet (Configuration automatique) met sous tension un contacteur de façon périodique, lequel peut être branché pour activer la pompe à filtre. La thermopompe peut alors démarrer et arrêter la pompe à filtre indépendamment de l'horloge, ce qui permet à la thermopompe de faire circuler l'eau et de mesurer sa température. Activez cette fonctionnalité lorsque la pompe à filtre est éteinte.

Si la température n'est pas au niveau voulu, la thermopompe démarre et demeure active jusqu'à ce que l'eau atteigne la température définie.

La pompe à filtre et la thermopompe s'arrêtent lorsque l'eau atteint la température définie.

Pour utiliser cette fonctionnalité :

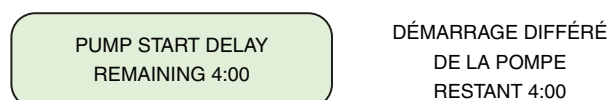
Assurez-vous que la pompe à circulation d'eau est branchée en parallèle avec une horloge mécanique en utilisant le relais auxiliaire fourni dans le panneau haute tension de la thermopompe.

Pour activer la fonctionnalité AutoSet (Configuration automatique) :

- Appuyez sur MENU SELECT à plusieurs reprises, jusqu'à ce que l'écran AutoSet (Configuration automatique) s'affiche.
- Appuyez sur les flèches HAUT ou BAS pour alterner entre les options ON (activé) et OFF (désactivé).
- Définissez l'intervalle (de 1 à 4 heures) dans le menu Pump Start Time (Heure de démarrage de la pompe) du menu Service (Maintenance) afin de contrôler le signal de mesure de la température envoyé par la thermopompe.

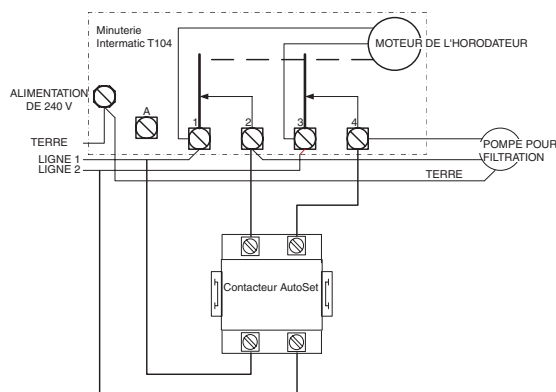
Par exemple, si vous sélectionnez un intervalle de quatre (4) heures pour l'Heure de démarrage de la pompe, que la fonctionnalité AutoSet (Configuration automatique) est activée et que la fonctionnalité AutoSet Override (Remplacement de la configuration automatique) est activée, les événements suivants se produiront dans l'ordre :

- La thermopompe affichera un décompte après l'extinction de la pompe à filtre.



- Après quatre (4) heures, la thermopompe s'allumera et démarrera la pompe à filtre afin de mesurer la température de l'eau.
- Si la température de la piscine est inférieure à votre point de consigne, la thermopompe s'allumera et commencera à chauffer la piscine. Si la température est supérieure au point de consigne, la thermopompe et la pompe à filtre s'éteindront.

4. Lorsque la pompe à circulation d'eau s'éteindra, la thermopompe se réinitialisera et commencera son décompte en affichant « Pump Start Delay » (Délais de démarrage de la pompe) à nouveau.
5. La thermopompe répétera ce cycle chaque fois que la pompe à circulation d'eau s'éteindra.
6. Lorsque l'horloge s'allumera au matin, la thermopompe interrompra la fonctionnalité AutoSet (Configuration automatique) et reprendra son opération normale.



REMARQUES :
 1. Une minuterie mécanique n'est pas fournie avec la thermopompe.
 2. À titre d'exemple seulement, les autres minuteries sont câblées de façon semblable.
 3. S'assurer que les lignes électriques ne sont pas croisées lors des branchements.

Exemple d'un contacteur AutoSet avec un câblage de minuterie mécanique

Notes :

1. La minuterie mécanique n'est pas fournie avec la thermopompe.
2. À titre d'exemple seulement, d'autres minuteries seront câblées de la même manière.
3. Assurez-vous que les lignes électriques n'ont pas été croisées lors des branchements.

Extend (Prolongation)

La fonctionnalité Extend (Prolongation) peut mettre sous tension un contacteur, lequel peut être branché afin d'activer la pompe à filtre. La thermopompe peut alors démarrer et arrêter la pompe à filtre indépendamment de l'horloge, ce qui permet à la thermopompe de faire circuler l'eau et de mesurer sa température.

Si la température n'est pas au niveau voulu, la thermopompe démarre et demeure active jusqu'à ce que l'eau atteigne la température définie. La pompe à filtre et la thermopompe s'arrêtent lorsque l'eau atteint la température définie.

Pour utiliser cette fonctionnalité :

Assurez-vous que la pompe à circulation d'eau est branchée en parallèle avec une horloge mécanique et le relais auxiliaire installé dans le panneau haute tension de la thermopompe.

Pour activer la fonctionnalité Extend (Prolongation) :

1. Appuyez sur MENU SELECT à plusieurs reprises, jusqu'à ce que l'écran Extend (Prolongation) s'affiche.
2. Appuyez sur les flèches HAUT ou BAS pour alterner entre les options ON (activé) et OFF (désactivé).

Par exemple, si la fonctionnalité Extend (Prolongation) est activée et que la fonctionnalité Extend Override (Remplacement Prolongation) l'est aussi, les événements suivants se produiront dans l'ordre :

1. Lorsque la pompe à filtre s'éteindra, la thermopompe mesurera immédiatement la température de l'eau.
2. Si la température de l'eau est inférieure au point de consigne, la thermopompe démarrera la pompe à filtre et commencera à chauffer la piscine. Si la température de l'eau est supérieure au point de consigne, la thermopompe et la pompe à filtre s'éteindront.
3. Lorsque l'horloge redémarrera la pompe à filtre, la thermopompe interrompra la fonctionnalité Extend (Prolongation) et reprendra son opération normale.

Minuteries et temporisations

1. Minuterie de captage d'eau

Minuterie à une minute pour permettre à l'eau de la piscine d'atteindre la thermopompe avant de saisir la température. Cette minuterie débute lorsque l'eau commence d'abord à couler à partir d'un débit à l'arrêt ou faible ou lorsque la thermopompe est mise en marche. Le décompte est en minutes et en secondes.

SENSING WATER TEMP
REMAINING = 1:00

CAPTAGE DE TEMP. D'EAU
REMIANT = 1:00

2. Redémarrez la minuterie

La minuterie à cinq minutes est une fonctionnalité de protection pour le compresseur de la thermopompe. Cela prolonge la durée de vie du compresseur en ne lui permettant pas de démarrer ou de s'arrêter (c.-à-d., réglage du point de consigne en haut en bas autour de la température réelle). Le décompte est en minutes et en secondes.

RESTART DELAY
REMAINING = 5:00

REDÉMARRAGE DIFFÉRÉ
REMIANT = 5:00

3. Minuterie de dégivrage

Minuterie de quinze minutes où la thermopompe est en dégivrage. Le décompte est en minutes et en secondes. Reportez-vous à la page 60 pour plus de détails sur le cycle de dégivrage.

DEFROST DELAY
REMAINING = 15:00

DÉGIVRAGE DIFFÉRÉ
REMIANT = 15:00

4. Démarrage différé de la pompe

Minuterie d'une à quatre heures, utilisée en conjonction avec la fonction AutoSet. Mesure le temps jusqu'à ce que le tableau de commande mette sous tension le contacteur interne dans la thermopompe pour démarrer. Le décompte est en heures et en minutes. Consultez la section AutoSet pour plus de détails.

PUMP START DELAY
REMAINING 4:00

DÉMARRAGE DIFFÉRÉ
DE LA POMPE
REMIANT 4:00

5. Minuterie de la durée de fonctionnement de la thermopompe

Cette fonctionnalité représente une minuterie ajustable permettant à la thermopompe de s'activer (voyant vert ALLUMÉ) un certain nombre de fois, puis de s'éteindre (voyant vert ÉTEINT). Durant la période sélectionnée, le voyant vert est ALLUMÉ, la thermopompe fonctionne en mode normal et l'opérateur peut modifier les points de consigne, les fonctions, etc. Au terme de la durée indiquée, le voyant vert de la thermopompe s'ÉTEINT et la thermopompe demeure ÉTEINTE.

DURÉE DE FONCTIONNEMENT RESTANTE
DE LA THERMOPOMPE = AUCUNE

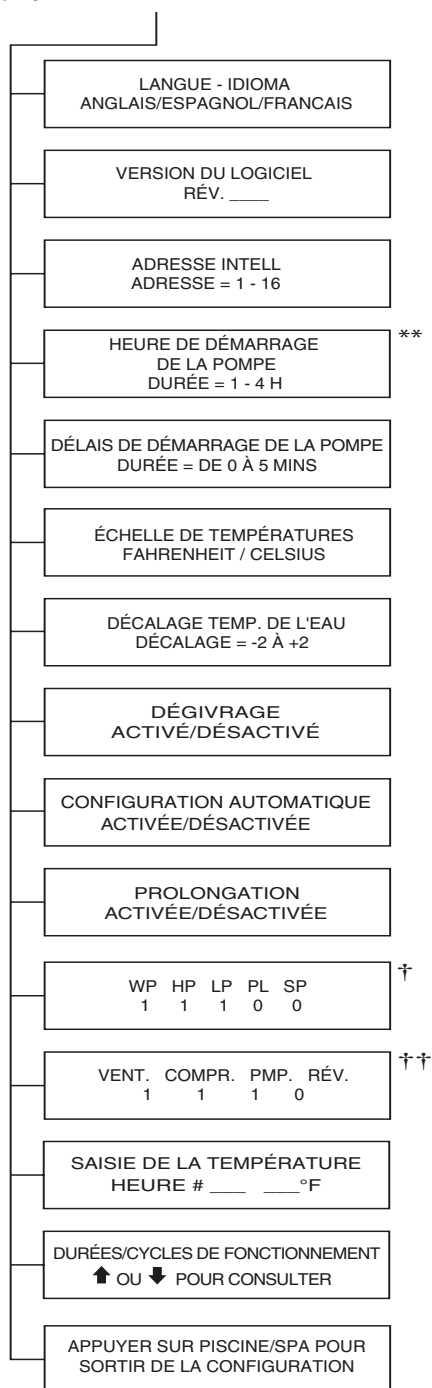
DURÉE DE FONCTIONNEMENT
DE LA THERMOPOMPE
RESTANTE = AUCUNE

Messages d'alarme du panneau de commande

TEMP. D'EAU ÉLEVÉE	Température de l'eau au-dessus de 42°C (108°F).
TEMP. D'EAU BASSE	Température de l'eau en dessous de 4°C (40°F).
FAIBLE DÉBIT D'EAU	Le manostat de détection de débit d'eau est ouvert.
TÉLÉCOMMANDE DE LA PISCINE ET DU SPA	Entrées de la télécommande relais pour Piscine et Spa, simultanément sous tension.
COURT-CIRCUIT DE LA THERM. DE L'EAU	Court-circuit de la thermistance de température de l'eau.
CIRCUIT OUVERT - THERM. DE L'EAU	Circuit ouvert de la thermistance de température de l'eau.
COURT-CIRCUIT - THERM. D'ASPIRATION	Court-circuit de la thermistance de dégivrage
CIRCUIT OUVERT - THERM. D'ASPIRATION	Circuit ouvert de la thermistance de dégivrage
BAS TEMPÉRATURE D'AMBIANT	La température aérienne est trop basse pour l'opération de thermopompe.
RÉDUCTION DE TENSION	La tension d'alimentation 24 VCA au tableau de commande est basse.
FRIGOR. HAUTE PR.	Le manostat du frigorigène haute pression est ouvert.
FRIGOR. BASSE PR.	Manostat du frigorigène basse pression, ouvert.
COMMUNICATION EN SÉRIE PERDUE	Le tableau de commande n'a pas reçu de message du régulateur d'automatisation depuis deux (2) minutes.
CINQ ALARMES	Indique que 5 anomalies ont eu lieu en une heure. Cette anomalie sera automatiquement relancée dans une heure ou peut être réinitialisée manuellement en appuyant sur le bouton Marche/Arrêt.

Guide du menu de maintenance

(Appuyez sur les flèches HAUT et BAS simultanément)



** Ce menu apparaît uniquement si les modes AutoSet (Configuration automatique) ou Extend (Prolongation) sont activés dans le menu Service (Maintenance).

† ÉTAT DE L'ENTRÉE

WF = INTERRUPTEUR D'ÉCOULEMENT
 HP = MANOSTAT DU FRIGORIGÈNE - HAUTE PRESSION
 LP = MANOSTAT DU FRIGORIGÈNE - BASSE PRESSION
 PL = TÉLÉCOMMANDE DE LA PISCINE
 SP = TÉLÉCOMMANDE DU SPA

†† ÉTAT DE LA SORTIE

VENTILATEUR = VENTILATEUR
 COMP = COMPRESSEUR
 PMP = POMPE POUR FILTRATION
 REV = ROBINET INVERSEUR

Le numéro un (1) est affiché lorsque l'entrée/sortie associée est en Marche et zéro (0) est affiché lorsque l'entrée/sortie est Arrêtée.

Navigation du menu Service (Maintenance)

Appuyez sur les flèches Haut et Bas simultanément. Si aucune activité n'est détectée au bout de 15 secondes, l'affichage reviendra à l'écran principal.

- Sélection de la langue**
Affiche la langue sélectionnée. Sélectionnez Anglais, Espagnol ou Français à l'aide des flèches HAUT ou BAS.
- Version du logiciel**
Affiche la version du logiciel intégré au tableau de commande.
- Adresse Intell**
Adresse de communication RS-485 de la thermopompe, qui doit correspondre à l'adresse utilisée par le régulateur d'automatisation IntelliTouch ou EasyTouch avec lequel elle communique. Valeur ajustable de 1 à 16 à l'aide des flèches HAUT et BAS.

** 4. **Heure de démarrage de la pompe**
Affiche le moment auquel la thermopompe fermera le contacteur AutoSet (Configuration automatique) afin de démarrer la pompe à filtre. Valeur ajustable de 1 à 4 à l'aide des flèches HAUT et BAS.

5. **Délais de démarrage de la pompe**
Affiche le délai entre les cycles de démarrage de la thermopompe. Valeur ajustable de 0 à 5 minutes à l'aide des flèches HAUT et BAS.

6. **Échelle de température**
Détermine si la valeur mesurée réelle de l'eau et le point de consigne s'affichent en degrés Fahrenheit ou Celsius. Valeur Fahrenheit ou Celsius choisie à l'aide des flèches HAUT et BAS.

7. **Décalage de température**
Ajuste la température mesurée de l'eau à la hausse ou à la baisse afin de permettre à l'opérateur d'ajuster la température affichée par la thermopompe à celle d'un dispositif de mesure de la température à distance. Ce décalage peut aller de -2 à +2 et est défini à l'aide des flèches HAUT et BAS.

8. **Écran Defrost (Dégivrage)**
Permet à l'utilisateur d'activer ou de désactiver la fonctionnalité Dégivrage.

9. **Écran AutoSet (Configuration automatique)**
Permet à l'utilisateur d'activer ou de désactiver la fonctionnalité AutoSet.

10. **Écran Extend (Prolongation)**
Permet à l'utilisateur d'activer ou de désactiver la fonctionnalité Prolongation.

† 11. **Écrans Input (Entrée) et Output (Sortie)**
 †† Les écrans Entrée et Sortie sont un outil de diagnostic affichant l'état des capteurs d'entrée et des périphériques de sortie. Le chiffre un (1) s'affiche lorsque l'entrée/sortie associée est activée et le chiffre zéro (0) lorsque l'entrée/sortie associée est désactivée.

12. **Historique des températures et compteurs de durée de fonctionnement**
Ces écrans affichent une liste des durées de fonctionnement du compresseur, du ventilateur et du robinet, ainsi qu'un historique des températures de l'eau mesurées. Cette information est offerte à l'utilisateur afin de surveiller facilement la performance et de corriger les problèmes.

13. **Quitter la configuration**
Appuyez sur le bouton POOL/SPA durant l'affichage de cet écran pour revenir à l'écran Pool (Piscine) ou Spa, selon le cas.

Échelle de température - C° ou F°

Le tableau de commande peut afficher les températures en degrés Fahrenheit ou en Celsius. L'échelle de température en cours d'utilisation peut être modifiée à partir de l'arborescence du Menu de configuration de l'opérateur comme il est décrit ci-dessous :

1. Appuyez sur les flèches Haut et Bas simultanément. L'écran Sélection de la langue devrait être affiché.
2. Appuyez alors sur la touche MENU SELECT plusieurs fois jusqu'à ce que l'écran d'échelle de la température soit affiché.
3. Appuyez sur les flèches HAUT ou BAS pour passer des degrés Fahrenheit aux Celsius. La dernière option affichée sur l'écran devient active.

Décalage de la température de l'eau

Le tableau de commande permet d'augmenter ou de diminuer la température de l'eau de 2 degrés.

Pour modifier le décalage de la température :

1. Appuyez sur les flèches Haut et Bas simultanément.
2. Appuyez sur les touches MENU SÉLECT jusqu'à ce que l'écran de décalage de la température soit affiché.
3. Appuyez sur les flèches HAUT ou BAS pour sélectionner le décalage souhaité. Le dernier chiffre affiché sur l'écran devient actif.

TEMP OFFSET
OFFSET = -2 TO +2

DÉCALAGE DE TEMP.
DÉCALAGE = -2 À +2

Cycle de dégivrage

La thermopompe peut entrer dans un cycle de dégivrage, si les températures sont d'environ 10 °C (50 °F). Pour lancer un cycle de dégivrage, la fonction Defrost (dégivrage) doit être activée dans les menus des services.

Cycle de dégivrage passif

Le cycle de dégivrage se déclenche lorsque le détecteur réfrigérant découvre la température du frigorigène en dessous du point de consigne de dégivrage. À ce moment-là, le compresseur de la thermopompe s'arrête. Le ventilateur de l'évaporateur de la thermopompe continuera à fonctionner, et aspirera de l'air sur les ailettes de l'évaporateur pendant environ 15 minutes.

Si le capteur de réfrigérant détecte une température au-dessus de celle définie pour l'arrêt du dégivrage, le compresseur redémarrera. Si la température d'arrêt du dégivrage n'est pas atteinte dans les 15 minutes, l'appareil s'éteindra et affichera une alerte « TEMP. AMBIANTE BASSE ».

Remarque : L'efficacité d'une thermopompe diminue lorsque la température de l'air diminue. Pour une efficacité maximale, faites fonctionner la thermopompe pendant la période la plus chaude de la journée.

Compteurs de durée de fonctionnement

Voici les abréviations utilisées par le compteur de durée de fonctionnement :

COMP = COMPRESSEUR
FAN = VENTILATEUR DE L'ÉVAPORATEUR
REVVLV=ROBINETINVERSEUR(CYCLEDEREFROIDISSEMENT)
FLT PMP = POMPE À FILTRE (FONCTIONNALITÉS CONFIGURATION AUTOMATIQUE/PROLONGATION)
DEFROST = FONCTIONNALITÉ DÉGIVRAGE

RUN TIME = durée totale du cycle en cours

LOG TIME = durée totale de tous les cycles depuis la dernière mise en marche de l'appareil

CYCLES = nombre de cycles depuis la dernière mise en marche de l'appareil

WARRANTY HOURS = durée totale de tous les cycles depuis la fabrication de l'appareil

WARRANTY CYCLES = nombre de cycles depuis la fabrication de l'appareil

Appuyez sur les flèches HAUT ou BAS pour naviguer parmi les Timers (Minuteries) et les Counters (Compteurs). Le dernier écran offre l'option de réinitialiser les compteurs de durée de fonctionnement, de durée totale des cycles et de nombre de cycles depuis la dernière mise en marche. Les compteurs de durée depuis la fabrication et de cycles depuis la fabrication ne peuvent pas être réinitialisés.

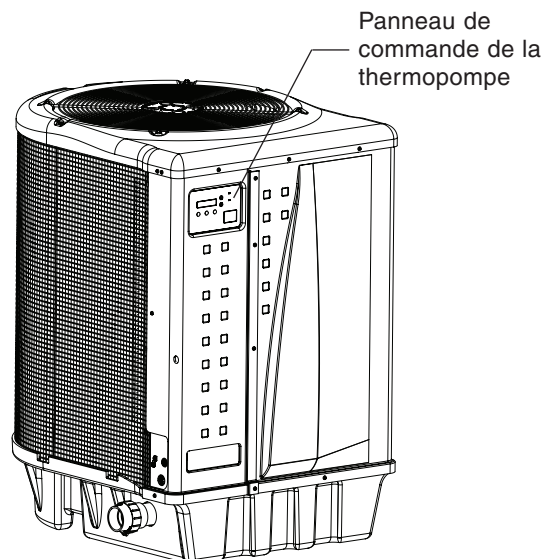
Verrouillage du panneau de commande

1. Verrouillage du panneau de commande de la thermopompe - Pour empêcher le réglage des ajustements non souhaités de la thermopompe, le panneau de commande peut être verrouillé. Une fois le panneau verrouillé, si on appuie sur un bouton, l'affichage indiquera :

HEAT PUMP
CONTROLS LOCKED

COMMANDES DE LA
THERMOPOMPE VERROUILLÉES

- Pour activer le verrouillage du panneau de commande, appuyez sur les boutons MENU SELECT et PISCINE/SPA simultanément.
- Pour déverrouiller le panneau de commande, appuyez sur les boutons MENU SELECT et PISCINE/SPA simultanément.



Chimie de l'eau

Des équilibres chimiques corrects sont nécessaires pour des conditions de baignade saines ainsi que pour assurer une longue vie de votre thermopompe.

Assurez-vous de garder vos niveaux de concentration chimique et des minéraux à l'intérieur des valeurs indiquées dans le tableau ci-dessous. Le défaut à maintenir la chimie appropriée de l'eau peut provoquer des dommages à la thermopompe et peut annuler la garantie.

Plages de chimie de l'eau optimales

Test	Niveau recommandé
Chlore libre ou	1,0 à 3,0 ppm (3,0 à 5,0 spa)
Brome	2,0 à 4,0 ppm (3,0 à 5,0 spa)
pH	7,4 à 7,6
Alcalinité totale (TA) Calcium, lithium et hypochlorite de sodium	80 à 100 ppm
Alcalinité totale (TA) Sodium dichlor, Trichlore, Chlore gazeux, et Composés de brome	100 à 120 ppm
Dureté calcique (CH)	200 à 400 ppm
Acide cyanurique	30 à 50 ppm
Matières dissoutes totales (MDT)	Moins de 2 000 ppm
Cuivre	0 ppm
* Niveaux de concentration extraits de la « Technologie de base de la Piscine et du Spa », publié par NSPI (National Spa and Pool Institute).	

Hivérisation

⚠ PRÉCAUTION Ne pas hiverner correctement pourrait endommager l'équipement et annulerait la garantie. Assurez-vous que les raccords d'entrée et de sortie sont complètement déconnectés de la pompe à chaleur et que les raccords de plomberie sont positionnés de sorte que toute l'eau puisse s'écouler librement de la pompe à chaleur.

Dans les zones avec gel, vous devez protéger vos pompe, filtre, thermopompe des éléments. Effectuez les étapes suivantes pour vidanger complètement la thermopompe.

1. Coupez l'alimentation électrique de la thermopompe au niveau du panneau de distribution principal.
2. Coupez l'approvisionnement en eau à la thermopompe.
3. Débranchez les raccords-union d'arrivée et de sortie d'eau sur les côtés opposés de la thermopompe.
4. Couvrez seulement la partie supérieure de la thermopompe pour empêcher les débris de tomber dans l'appareil. N'enveloppez pas les côtés de la thermopompe avec une matière plastique ou autre qui conserve la chaleur ou l'humidité à l'intérieur de l'appareil.

Démarrage au printemps

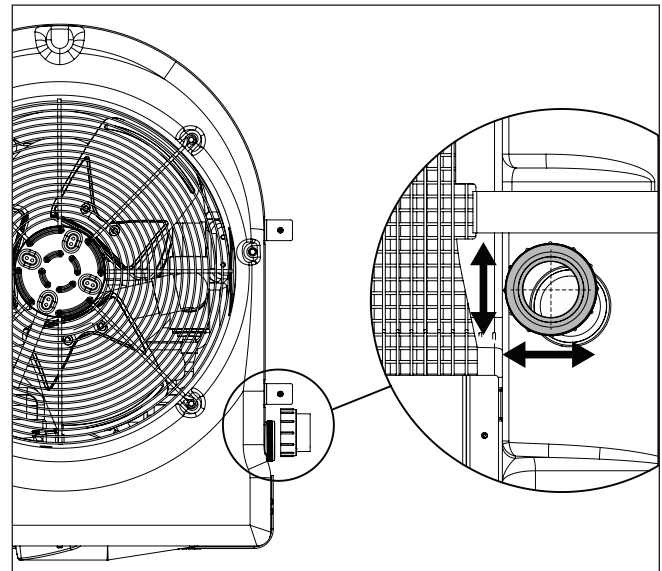
Si votre thermopompe a été hivérisée, effectuez les étapes suivantes lors du démarrage du système au printemps :

1. Découvrez la thermopompe et inspectez le dessus et les côtés pour toute présence de débris ou de problèmes structurels.
2. Branchez les raccords-union d'arrivée et de sortie d'eau sur les côtés de la thermopompe.
3. Mettez en marche la pompe pour filtration afin d'approvisionner la thermopompe en eau. Ouvrez le purgeur d'air du filtre et faites circuler l'eau dans le système assez longtemps pour purger tout l'air hors du circuit de la piscine. Vérifiez pour toute présence de fuites dans et autour de la thermopompe.
4. Rétablissez l'alimentation électrique de la thermopompe au niveau du panneau de distribution principal.

Inspection et service

Les thermopompes Pentair sont conçues et fabriquées pour fournir une longue durée de vie lorsqu'elles sont installées et utilisées correctement dans des conditions normales.

Des inspections périodiques sont importantes pour assurer que votre thermopompe fonctionne de façon sécuritaire et efficace pendant des années. Le non entretien de votre appareil peut annuler la garantie.



Connexions de tuyauterie pour l'hiver

Inspection par le propriétaire

Pentair vous recommande d'inspecter votre thermopompe de façon continue et surtout après des conditions météorologiques anormales. Les règles de base suivantes sont suggérées pour votre inspection :

1. Assurez-vous que le devant de l'appareil est accessible pour les services futurs.
2. Gardez les zones supérieures et les côtés de la thermopompe exempts de tous débris.
3. Gardez toutes les plantes et les arbustes taillés à distance de la thermopompe.
4. Empêchez les têtes d'arroseur de pulvériser de l'eau sur la thermopompe afin d'empêcher la corrosion et les dommages.
5. Si l'appareil est installé sous un rebord de toit, installez une gouttière ou un déflecteur pour éviter que l'excès d'eau et les débris ne se déversent sur l'appareil et pénètrent dans celui-ci.
6. N'utilisez pas cette thermopompe si une partie quelconque a été sous l'eau. Appelez immédiatement un technicien professionnel et qualifié pour inspecter la thermopompe et remplacer toute pièce du système de commande qui a été sous l'eau.

La thermopompe produira de la condensation (eau) pendant le fonctionnement. La base de la thermopompe est conçue pour permettre à la condensation de s'écouler par l'orifice de vidange inférieur lorsque l'appareil fonctionne. La condensation augmentera à mesure que l'humidité dans l'air extérieur augmentera. Vérifiez les points suivants à intervalles réguliers pour assurer une bonne évacuation des condensats :

1. Inspectez visuellement et nettoyez les orifices de vidange inférieurs pour toute présence de débris qui pourraient les obstruer.
2. Gardez l'admission d'air et la zone de refoulement d'air supérieure exemptes de tout débris de sorte que la circulation de l'air à travers la thermopompe n'est pas limitée. L'air plus frais de refoulement supérieur ne doit pas s'accumuler et être redirigé vers les serpentins d'admission d'air latéraux.
3. Assurez-vous que la condensation de ruissellement est bien éloignée de la base de l'équipement pour ne pas l'endommager.
4. Assurez-vous que l'eau de condensation ne forme pas une flaque à l'intérieur de la thermopompe. Pour être sûr que cela est de l'eau de condensat, vérifiez la présence de chlore.

En fonctionnement normal, la thermopompe produit de trois à cinq gallons de condensat par heure. Si la vidange du condensat est supérieure à cette plage en cours de fonctionnement ou si l'eau continue à s'écouler de la base lorsque la thermopompe ne fonctionne pas depuis plus d'une heure, une fuite peut être présente dans la plomberie interne. Appelez un technicien de thermopompe qualifié pour étudier le problème.

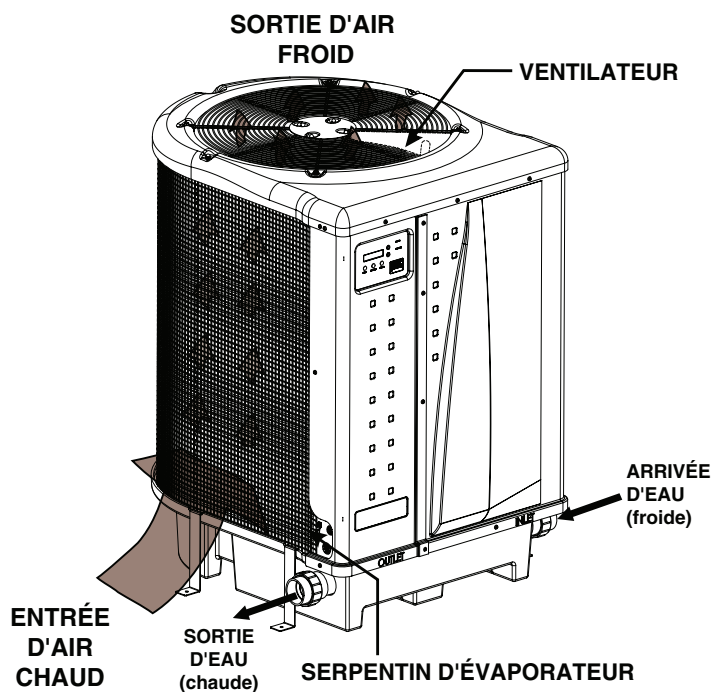
Entretien et services professionnels

La production et l'efficacité de chaleur maximale d'une thermopompe dépendent de la qualité et de la performance des principaux composants utilisés. Tout aussi importantes sont les conditions environnementales (par exemple, la température de l'air, l'humidité, la température de l'eau, et le vent).

Pour maintenir les performances et une efficacité maximales, gardez le serpentin de l'air exempt de saleté et de débris. Il est recommandé de nettoyer votre serpentin d'air une fois par an à l'air comprimé ou au jet d'eau avec un tuyau d'arrosage.

Il faut prendre soin de ne pas tordre les ailettes du serpentin, car cela restreindra la circulation de l'air et réduira les performances de votre thermopompe. L'air comprimé peut également endommager le serpentin de la thermopompe. **N'UTILISEZ PAS UN NETTOYEUR À HAUTE PRESSION SUR L'APPAREIL.**

L'entretien de la thermopompe doit être effectué pendant au moins une fois par an par du personnel qualifié pour maintenir les performances et une efficacité maximales. L'appareil doit être hors tension lors de l'entretien.



Cycle de chauffage type

Alimentation électrique - Exigences de tension

Modèles	UltraTemp®								
	70	90	110	120	120 H/C	140	140 H/C	120C	140C
Tension/Phase/Hz	208-230/1/60	208-230/1/60	208-230/1/60	208-230/1/60	208-230/1/60	208-230/1/60	208-230/1/60	208-230/3/60	208-230/3/60
Courant adm. Min. circuit (Amp.)	33	40	42	42	42	43	43	34	35
Taille fusible recommandée	40	50	50	50	50	50	50	50	50
Taille max. fusible disjoncteur	50	60	70	70	70	70	70	60	60
Compresseur/Moteur vent./Système RLA	25/2/27	31/2/33	32/2/34	32/2/34	32/2/34	32/3/35	32/3/35	25/2/27	25/3/28
Compresseur/Moteur vent./Système LRA	134/4/138	178/4/182	148/4/152	185/4/189	185/4/189	185/11/196	185/11/196	164/4/168	164/11/175
Compresseur/Moteur vent./Système MCC	39/S. O./S. O.	49/S. O./S. O.	50/S. O./S. O.	50/S. O./S. O.	50/S. O./S. O.	50/S. O./S. O.	50/S. O./S. O.	39/S. O./S. O.	39/S. O./S. O.
Capacité (Btu/h) 80A-80RH-80W *	75 000	90 000	110 000	127 000	125 000	145 000	140 000	122 000	140 000
COP 80A-80RH-80W *	5,9	5,8	6,1	5,7	5,5	5,8	5,6	5,5	5,7
Alimentation, kW (80A-80RH-80W) *	3,8	4,6	5,3	6,5	6,6	7,2	7,3	6,5	7,1
Courant, Amp. (80A-80RH-80W) *	18	21	26	30	31	33	34	19	21
Capacité (Btu/h) 80A-63RH-80W **	70 000	85 000	101 000	120 000	118 000	135 000	132 000	114 000	130 000
COP 80A-63RH-80W **	5,7	5,6	5,8	5,5	5,3	5,6	5,4	5,3	5,5
Alimentation, kW (80A-63RH-80W) *	3,6	4,5	5,1	6,4	6,5	7,0	7,2	6,3	7,0
Courant, Amp. (80A-63RH-80W) *	17	20	25	29	30	32	33	19	21
Capacité (Btu/h) 50A-63RH-80W ***	50 000	60 000	70 000	80 000	80 000	90 000	85 000	76 000	85 000
COP 50A-63RH-80W ***	4	4	4	4	4	4	4	4	4
Alimentation, kW (50A-63RH-80W) *	3,6	4,4	5,3	6	6	6,4	6,2	5,7	6,2
Courant, Amp. (50A-63RH-80W) *	17	19	24	27	28	29	29	18	19
Poids expédié (livres) ****	250	250	270	270	278	320	320	280	320
Taille expédiée (Larg. x Long. x H)	43 po x 34 po x 39 po	43 po x 34 po x 39 po	43 po x 34 po x 51 po	43 po x 34 po x 51 po	43 po x 34 po x 51 po	43 po x 34 po x 46 po	43 po x 34 po x 46 po	43 po x 34 po x 51 po	43 po x 34 po x 46 po

* 80 A-80 HR-80 W : Température de l'air 27 °C (80 °F), 80 % HR, 27 °C Temp. entrée d'eau.

** 80 A-63 HR-80 W : Température de l'air 27 °C (80 °F), 63 % HR, 27 °C Temp. entrée d'eau.

*** 50 A-63 HR-80 W : Température de l'air 10 °C (50 °F), 63 % HR, 27 °C Temp. entrée d'eau.

**** Ajoutez 50 lb pour la palette et l'emballage.

COP = Coefficient de performance

Si la tension descend en dessous de 208 V, cela pourrait endommager la thermopompe et annuler la garantie. Prenez des mesures appropriées pour assurer la tension correcte à la thermopompe pendant le fonctionnement.

Graphique de la résistance thermique

* Graphique de la résistance thermique									
°C	OHMS	°C	OHMS	°C	OHMS	°C	OHMS	°C	OHMS
-17,8	85 387	10,5	19 377	19	13 136	27,2	9 076	35,6	6 382
-12,2	62 479	11	18 870	19,4	12 809	28	8 861	36	6 238
-7	46 225	12	18 377	20	12 491	28,3	8 651	37	6 097
-1,1	34 561	12,2	17 899	20,5	12 182	29	8 447	37,2	5 960
4,4	26 100	13	17 435	21	11 882	29,4	8 249	38	5 827
5	25 391	13,3	16 985	22	11 589	30	8 056	38,3	5 697
6,1	24 704	14	16 548	22,2	11 305	30,6	7 867	39	5 570
6,7	24 037	14,4	16 123	23	11 029	31,1	7 684	39,4	5 446
7	23 391	15	15 711	23,3	10 761	32	7 506	40	5 326
7,2	22 764	16	15 310	24	10 500	32,2	7 333	40,6	5 208
8	22 156	16,1	14 921	24,4	10 246	33	7 164	41	5 094
8,3	21 566	17	14 543	25	9 999	33,3	6 999	41,7	4 982
9	20 993	17,2	14 176	26	9 758	34	6 839	42	4 873
9,4	20 438	18	13 820	26,1	9 525	34,4	6 683	43,3	4 664
10	19 900	18,3	13 473	27	9 297	35	6 530	50	3 758

Le tableau ci-dessous ne devrait être utilisé que par du personnel d'entretien formé pour la réfrigération et la climatisation.

Le tableau ci-dessous **ne devrait pas être utilisé pour le réglage de la charge dans le système.**

L'utilisation de l'interpolation ou de l'extrapolation de données de la table peut ne pas être appropriée, sauf si elles tiennent compte des conditions ambiantes et de débit de l'eau.

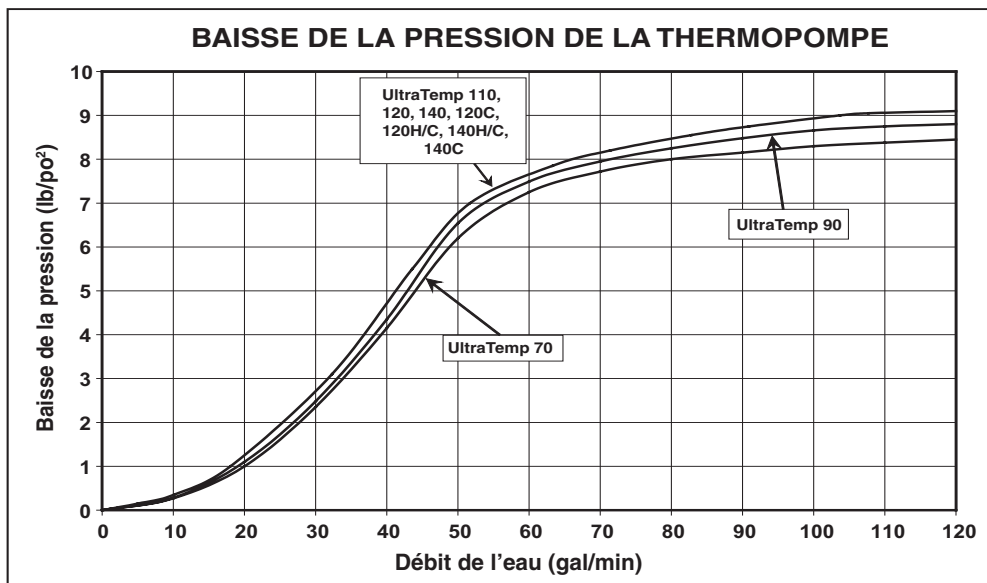
Air : 80° F (27° C), 80% HR		Eau : 80° F (27° C), 45-50 gal/min	
Modèle	Pression d'évacuation (lb/po ²)	Pression d'aspiration (lb/po ²)	Surchauffe (°C)
HP500	359	134	8
HP700	348	132	8
HP900	355	142	6
HP1200	367	141	4
HP1200R	367	141	4
UltraTemp 70	329	156	11
UltraTemp 90	340	147	11
UltraTemp 110	343	164	6
UltraTemp 120	350	157	5
UltraTemp 120 H/C	378	157	6
UltraTemp 140	352	168	6
UltraTemp 140 H/C	377	170	7
UltraTemp 120C	354	150	7
UltraTemp 140C	365	168	7

Air : 80° F (27° C), 63% HR		Eau : 80° F (27° C), 45-50 gal/min	
Modèle	Pression d'évacuation (lb/po ²)	Pression d'aspiration (lb/po ²)	Surchauffe (°C)
HP500	352	125	6
HP700	341	123	6
HP900	348	132	4
HP1200	360	131	3
HP1200R	360	131	3
UltraTemp 70	323	149	9
UltraTemp 90	330	138	10
UltraTemp 110	337	153	5
UltraTemp 120	344	146	4
UltraTemp 120 H/C	368	146	4
UltraTemp 140	345	158	6
UltraTemp 140 H/C	369	158	6
UltraTemp 120C	346	143	6
UltraTemp 140C	358	160	5

Air : 50° F (10° C), 63% HR		Eau : 80° F (27° C), 45-50 gal/min	
Modèle	Pression d'évacuation (lb/po ²)	Pression d'aspiration (lb/po ²)	Surchauffe (°C)
HP500	330	83	3
HP700	320	81	2
HP900	325	85	2
HP1200	322	86	2
HP1200R	322	86	2
UltraTemp 70	313	97	4
UltraTemp 90	312	93	2
UltraTemp 110	324	92	2
UltraTemp 120	330	90	2
UltraTemp 120 H/C	336	90	2
UltraTemp 140	325	98	2
UltraTemp 140 H/C	327	100	2
UltraTemp 120C	318	89	2
UltraTemp 140C	320	97	2

Air : 80° F (27° C), 63% HR		Eau : 104° F (40° C), 45-50 gal/min	
Modèle	Pression d'évacuation (lb/po ²)	Pression d'aspiration (lb/po ²)	Surchauffe (°C)
HP500	457	137	4
HP700	445	142	4
HP900	450	141	3
HP1200	478	135	3
HP1200R	478	135	3
UltraTemp 70	430	164	6
UltraTemp 90	440	152	4
UltraTemp 110	453	159	3
UltraTemp 120	450	152	2
UltraTemp 120 H/C	474	152	2
UltraTemp 140	461	165	3
UltraTemp 140 H/C	465	150	4
UltraTemp 120C	450	150	4
UltraTemp 140C	463	165	4

HR = Humidité relative





RISQUE DE DÉCHARGE ÉLECTRIQUE OU D'ÉLECTROCUTION. Une installation inappropriée entraînera un risque d'électrocution d'où blessures graves, voire mortelles des utilisateurs, installateurs de la piscine ou autres personnes suite à une décharge électrique, pouvant aussi entraîner des dommages matériels. N'ESSAYEZ PAS de régler les ajustements internes à l'intérieur de l'appareil de chauffage.

1. Gardez vos mains et cheveux loin des pales du ventilateur pour éviter les blessures.
2. Si vous n'êtes pas familier avec votre système de filtration et de chauffage de votre piscine :
 - a. NE tentez PAS de régler ou d'entretenir le système sans consulter votre concessionnaire ou votre entrepreneur professionnel de piscine ou de système de climatisation.
 - b. Lisez tout le Guide d'installation et de l'utilisateur avant de tenter d'utiliser, entretenir ou régler l'appareil de chauffage ou le système de filtration de piscine. Le manostat de l'eau doit être ajusté pour arrêter l'appareil de chauffage lorsque la pompe est hors tension. Le réglage du manostat qui le ferme à un débit trop bas peut endommager l'appareil. Réglez le manostat pour arrêter l'appareil de chauffage et non pas pour le démarrer.

Mettez toujours l'appareil HORS TENSION avant tout entretien ou réparation.

Remarque : Tout entretien/réparation doit être effectué par une personne d'une agence d'entretien autorisée.

Problème ou symptômes	Cause possible	Action corrective
TEMP. ÉLEVÉE DE L'EAU : Température de l'eau au-dessus de 42°C (108°F).	Thermistance défectueuse ou tableau de commande défectueux.	Testez la température de l'eau pour voir si elle est correcte, si elle ne l'est pas, utilisez le test de résistance de 10 000 ohms pour vérifier la thermistance. Si elle est défectueuse, remplacez-la. Si elle est correcte, remplacez le tableau de commande. *
TEMP. BASSE DE L'EAU : Température de l'eau en dessous de 5°C (40°F).	Thermistance défectueuse ou tableau de commande défectueux.	Testez la température de l'eau pour voir si elle est correcte, si elle ne l'est pas, utilisez le test de résistance de 10 000 ohms pour vérifier la thermistance. Si elle est défectueuse, remplacez-la. Si elle est correcte, remplacez le tableau de commande. *
	Les débris court-circuitent les connexions.	Enlevez les débris ou remplacez la carte de circuits imprimés
DÉBIT FAIBLE DE L'EAU : Le manostat de détection de débit d'eau est ouvert.	La pompe de circulation d'eau n'est pas en marche.	Vérifiez si la pompe de circulation d'eau est en marche.
	Débit d'eau insuffisant.	Filtres sales ou usés ou filtres à charpie colmatés. Vérifiez si le filtre est propre, si nécessaire faites un lavage à contre-courant pour nettoyer l'ensemble du système de filtre ou remplacez au besoin l'élément filtrant. Inspectez et nettoyez la turbine de la pompe. Réglez les vannes des canalisations. Réparez les fuites d'air de l'aspiration.
	Dérivation externe ouverte.	Assurez-vous que la dérivation externe de l'eau autour de la thermopompe est fermée.
	Manostat de l'eau défectueux.	Avec l'écoulement d'eau, vérifiez la résistance du manostat de l'eau, si le manostat est ouvert, remplacez-le.
TÉLÉCOMMANDE DE LA PISCINE ET DU SPA : Les entrées de la télécommande de la Piscine et du Spa sont simultanément mises sous tension.	Les bornes embrochables de la télécommande de la piscine, du spa et celles communes à l'arrière du tableau de commande sont toutes mises sous tension.	Modifiez la sortie de la commande d'automatisation de sorte que seules les bornes de la piscine et communes ou celles du spa et communes sont sous tension.
COURT-CIRCUIT - THERM. DE L'EAU : Court-circuit du circuit de la sonde de la température de l'eau.	Thermistance défectueuse ou tableau de commande défectueux.	Utilisez le test de la résistance de 10 000 ohms pour vérifier la thermistance. S'il y a un court-circuit, remplacez la thermistance. Si elle est correcte, remplacez le tableau de commande. *
THERM. DE L'EAU OUVERTE : Le circuit de la sonde de la température d'eau est ouvert.	Thermistance défectueuse ou tableau de commande défectueux.	Utilisez le test de la résistance de 10 000 ohms pour vérifier la thermistance. Si le circuit est ouvert, remplacez la thermistance. Si elle est correcte, remplacez le tableau de commande. *
COURT-CIRCUIT - THERM. D'ASPIRATION : Le circuit de la sonde de la température du frigorigène de dégivrage est en court-circuit.	Thermistance défectueuse ou tableau de commande défectueux.	Utilisez le test de la résistance de 10 000 ohms pour vérifier la thermistance. S'il y a un court-circuit, remplacez la thermistance. Si elle est correcte, remplacez le tableau de commande. *
CIRCUIT OUVERT - THERM. D'ASPIRATION : Le circuit de la sonde de la température du frigorigène de dégivrage est ouvert.	Thermistance défectueuse ou tableau de commande défectueux.	Utilisez le test de la résistance de 10 000 ohms pour vérifier la thermistance. Si le circuit est ouvert, remplacez la thermistance. Si elle est correcte, remplacez le tableau de commande. *

(*) Reportez-vous au Tableau de résistance de la température de 10 000 ohms à la page 63.

Problèmes ou symptômes	Cause possible	Action corrective
FRIGOR. HAUTE PR. : Manostat du frigorigène haute pression, ouvert.	La pompe de circulation d'eau n'est pas en marche.	Vérifiez si la pompe d'eau est en marche.
	Débit d'eau insuffisant.	Vérifiez si le filtre et les écumoirs sont propres, faites un lavage à contre-courant si nécessaire. Débit minimum 30 gal/min [113.6 LPM].
	Dérivation externe ouverte.	Assurez-vous que la dérivation externe de l'eau autour de la thermopompe est fermée. Assurez-vous également que toutes les autres vannes sont ouvertes ou aux positions appropriées pour permettre un bon débit d'eau dans la thermopompe.
	Manostat du frigorigène haute pression défectueux.	Vérifiez la résistance du manostat, s'il est ouvert, remplacez-le.
	TXV en position fermée bloquée.	1. Débranchez la sonde du TXV de la conduite d'aspiration (SL), prenez-la dans la main, si les pressions reviennent à la normale, alors réinstallez la sonde sur la conduite d'aspiration (il peut y avoir des débris coincés dans l'orifice). Pour les TXV réglables, ouvrez la vanne réglable, cela pourrait enlever les débris et remettre le TXV à la position d'origine. 2. Si (1) ne fonctionne pas, récupérez la charge, retirez la sonde de SL, dévissez la tête du TXV, secouez-la, si elle fait un bruit de cliquetis, remplacez la tête (pièce n° AC-45-ZGA), sinon, remplacez le TXV et le déshydrateur-filtre et refaites la charge correctement.
	Autres possibilités :	Vérifiez le niveau d'eau dans la piscine. Cette condition peut apparaître si la thermopompe n'a pas été utilisée pendant une période prolongée. Pour corriger cette condition, mettez la thermopompe en marche puis en arrêt pendant un cycle jusqu'à 3 fois. Si cela ne corrige pas le problème, appelez le service.
	Autres possibilités. Débit d'eau bas ou restreint à travers l'appareil de chauffage. Filtres sales ou usés ou filtres à charpie colmatés. Turbine de pompe pour filtration colmatée. Réglages inappropriés des vannes des canalisations. Fuite d'aspiration laissant de l'air entrer dans le débit d'eau. Faible débit d'eau avec commutation en mode spa. Appareil raccordé dans le mauvais sens. Échangeur de chaleur obstrué par des débris. Vanne de dérivation interne endommagée ou obstruée par des débris.	Nettoyez l'ensemble du système de filtration et/ou remplacez l'élément filtrant. Inspectez et nettoyez la turbine de la pompe. Réglez toutes les vannes des canalisations. Réparez les fuites d'air d'aspiration, graissez le joint torique du couvercle de la pompe. Remplacez le filtre. Tuyaux de la pompe pour filtration de dimension inappropriée. L'aspiration automatique de la piscine entraîne une restriction. Appelez votre concessionnaire ou l'usine pour obtenir des conseils si l'avis ci-dessus ne vous aide pas à résoudre le problème.
Appareil surchargé.	Réglez correctement la charge. Rechargez avec une charge nominale appropriée.	
FRIGOR. BASSE PR. : Manostat du frigorigène basse pression, ouvert.	Basse pression du frigorigène dans le système.	Trouvez la source de la fuite du frigorigène et corrigez-la. Éliminez le vide et rechargez.
	Les températures de l'air et de l'eau sont trop basses pour faire fonctionner la thermopompe.	Attendez des températures plus élevées et vérifiez si l'appareil fonctionne.
	Manostat du frigorigène basse pression défectueux.	Vérifiez la résistance du manostat avec une pleine charge, si le manostat est ouvert, remplacez-le.
	Ventilateur défectueux.	Vérifiez le condensateur et le moteur du ventilateur. Remplacez l'un ou l'autre s'ils sont défectueux. Vérifiez le ventilateur et assurez-vous qu'il ne patine pas ou qu'il n'est pas endommagé. Si c'est le cas, remplacez le ventilateur.
	TXV en position fermée bloquée.	1. Débranchez la sonde du TXV de la conduite d'aspiration (SL), prenez-la dans la main, si les pressions reviennent à la normale, alors réinstallez la sonde sur la conduite d'aspiration (il peut y avoir des débris coincés dans l'orifice). Pour les TXV réglables, ouvrez la vanne réglable, cela pourrait enlever les débris et remettre le TXV à la position d'origine. 2. Si (1) ne fonctionne pas, récupérez la charge, retirez la sonde de SL, dévissez la tête du TXV, secouez-la, si elle fait un bruit de cliquetis, remplacez la tête (pièce n° AC-45-ZGA), sinon, remplacez le TXV et le déshydrateur-filtre et refaites la charge correctement.
	Débit d'air insuffisant par le serpentin de l'air	Enlevez les débris ou arbustes coincés ou faites appel au service d'entretien de la thermopompe par un personnel qualifié
TEMPÉRATURE AMBIANTE BASSE : La sonde de température du réfrigérant indique que la température ambiante est trop basse pour que la thermopompe fonctionne	Le cycle de dégivrage ne s'est pas complété dans le temps alloué.	Attendre que la glace fonde de l'évaporateur et/ou que la température de l'air monte.
	Sonde de température défectueuse.	Voir la température de succion reportée sur le panneau de contrôle et utiliser un 10k ohm résistance pour vérifier la sonde de température.

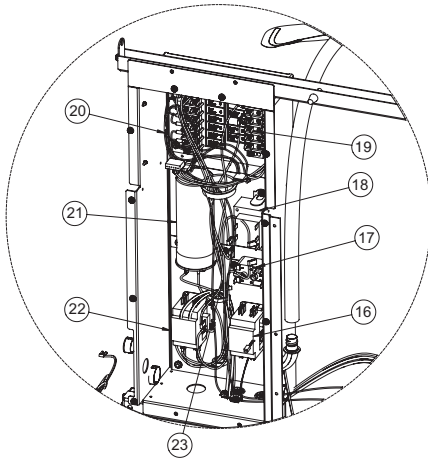
Problème ou symptômes	Cause possible	Action corrective
<p>RÉDUCTION DE TENSION : La tension d'alimentation 24 VCA au tableau de commande est basse.</p> <p>ATTENTION : Vérifications de la tension élevée. Utilisez une extrême prudence ou appelez le concessionnaire ou l'usine pour des conseils avant de tenter de résoudre les problèmes liés à la boîte électrique.</p>	<p>Transformateur défectueux</p> <p>Tension d'alimentation insuffisante pour la thermopompe.</p>	<p>La tension d'alimentation au transformateur doit être entre 208 et 260 volts. Le transformateur devrait fournir entre 24 et 28 volts. Si la tension est en dessous de cette plage, remplacez le transformateur.</p> <p>Vérifiez la tension d'alimentation à la thermopompe. La tension d'alimentation doit être entre 208 et 260 volts. Vérifiez pour voir s'il manque une phase. Il devrait y avoir 120 volts à la terre et 240 volts aux tronçons d'alimentation. Un transformateur élévateur de tension peut être nécessaire plus proche de la thermopompe afin d'obtenir des tensions dans la plage appropriée.</p>
<p>CINQ ALARMES : Indique que 5 anomalies sont apparues en 1 heure. Cette anomalie sera automatiquement relancée dans une heure ou peut être réinitialisée manuellement en appuyant sur le bouton Marche/Arrêt.</p>	<p>5 alarmes de toute nature au cours d'une heure.</p>	<p>Appuyez sur le bouton MARCHÉ/ARRÊT pour effacer l'alarme. Vérifiez la thermopompe au cours des prochaines minutes/heures pour voir si l'alarme apparaît de nouveau. Cette alarme a probablement causé les cinq alarmes au cours d'une heure</p>
<p>Impossibilité à mettre la thermopompe en Marche. Affichage vierge. L'appareil NE démarre PAS.</p>	<p>Échec du régulateur. Aucune alimentation vers l'appareil de chauffage. Disjoncteur déclenché ou fusible sauté. Transformateur défectueux. Câblage incorrect.</p>	<p>Enclenchez le disjoncteur. Remplacez le fusible. Appelez votre concessionnaire ou l'usine pour obtenir des conseils avant d'essayer de remplacer des pièces. Remplacez le transformateur. Vérifiez le câblage.</p>
<p>L'appareil est ALLUMÉ, le témoin vert est ALLUMÉ, et la température réglée est au-dessus de la température réelle. L'appareil NE commence PAS à chauffer ou à refroidir. Aucune alarme.</p>	<p>La fonction télécommande est activée, mais aucun dispositif de commande n'est branché. Échec du régulateur.</p> <p>La thermopompe n'est pas en marche.</p>	<p>Vérifiez si la fonction télécommande sur le tableau de commande est activée. Désactivez si nécessaire. Consultez les pages 55-56 pour plus d'informations sur la désactivation de la fonction télécommande. Appelez votre concessionnaire ou l'usine pour obtenir des conseils avant d'essayer de remplacer des pièces. Remplacez le tableau de commande.</p>
<p>L'appareil est ALLUMÉ, le témoin vert est ALLUMÉ, et la température réglée est au-dessus de la température réelle. L'appareil NE commence PAS à chauffer. Aucune alarme.</p>	<p>Mode de sélection Piscine/Spa de la thermopompe incorrect. Le thermostat est défectueux. Défaillance du tableau de commande.</p>	<p>Vérifiez si la thermopompe est au mode approprié actif pour piscine/spa en appuyant sur le bouton piscine/spa. Si le mode actif est pour le spa, mais si l'on veut chauffage/refroidissement de la piscine, appuyez à nouveau sur piscine/spa pour changer le mode actif à piscine. Si la mode actif est pour la piscine, mais si l'on veut chauffage du spa, changez le mode actif à spa. Appelez votre concessionnaire ou l'usine pour obtenir des conseils avant d'essayer de remplacer des pièces. Remplacez le thermostat. Remplacez le tableau de commande.</p>
<p>L'appareil est ALLUMÉ, le témoin vert est ALLUMÉ, et la température réglée est au-dessus de la température réelle. L'appareil se met en marche et s'arrête; par ex. : le compresseur se met brièvement en marche et s'arrête après une temporisation de cinq minutes avant que le point de consigne ne soit atteint.</p>	<p>Compresseur défectueux. Ou les dispositifs de protection internes du compresseur s'arrêtent en raison d'un excès de débris. Contacteur du compresseur défectueux. Câblage incorrect. Défaillance du tableau de commande. Vanne de dérivation interne endommagée ou obstruée par des débris. Échangeur de chaleur obstrué par des débris. Fuite d'aspiration laissant de l'air entrer dans le débit d'eau. Appareil raccordé dans le mauvais sens.</p>	<p>Nettoyez l'ensemble du système de filtration et/ou remplacez l'élément filtrant. Inspectez et nettoyez la turbine de la pompe. Réglez toutes les vannes des canalisations. Réparez les fuites d'air d'aspiration, graissez le joint torique du couvercle de la pompe. Remplacez le filtre. Tuyaux de la pompe pour filtration de dimension inappropriée. L'aspiration automatique de la piscine entraîne une restriction. Appelez votre concessionnaire ou l'usine pour obtenir des conseils si des mesures correctives ne résolvent pas le problème. La soupape de surpression interne du compresseur ou le dispositif de protection contre les surcharges est défectueux. Appelez votre concessionnaire ou l'usine pour obtenir des conseils avant d'essayer de remplacer des pièces. Remplacez le compresseur.</p>
<p>L'appareil entraîne la formation de glace ou de givre sur le serpentin d'air extérieur, normalement à la partie inférieure.</p>	<p>Le débit de l'air de refoulement est restreint. L'air refoulé s'accumule et repasse par le serpentin de l'air extérieur. Le ventilateur est obstrué, faible débit d'air. Pulvérisation d'eau sur le serpentin d'air extérieur alors que les températures sont basses. Serpentin d'air extérieur obstrué par des débris. Plantes trop proches de l'appareil de chauffage, bloquant la circulation de l'air de refoulement. Basse pression du frigorigène entraînée par une fuite de frigorigène. Dysfonctionnement possible du manostat interne du frigorigène basse pression. Vérifiez l'état des alarmes sur le tableau de commande pour l'alarme « LOW REFRIG » (basse pression du frigorigène).</p>	<p>La température de l'air extérieur est trop basse et la fonction de dégivrage N'est PAS activée. Dysfonctionnement de la thermistance de dégivrage. Assurez-vous que l'appareil de chauffage est installé selon les dégagements requis pour la circulation de l'air et pour la garde au toit. NE l'installez PAS à l'intérieur. Assurez-vous que vos arroseurs NE pulvérisent PAS d'eau sur l'appareil de chauffage. Si la glace se forme sur le serpentin externe, fermez l'appareil de chauffage et laissez la glace fondre. Vous pouvez utiliser de l'eau à basse pression pour dégeler la glace accumulée sur le serpentin externe, fermez l'appareil de chauffage lors de cette opération. Appelez votre concessionnaire ou l'usine pour obtenir des conseils si des mesures correctives ne résolvent pas le problème.</p>
<p>L'appareil est ALLUMÉ et la température réglée est au-dessus de la température réelle. Le ventilateur NE tourne PAS. Aucune alarme.</p>	<p>Relais de ventilateur défectueux. Condensateur défectueux. Moteur du ventilateur défectueux. Défaillance du tableau de commande. Câblage incorrect.</p>	<p>Appelez le concessionnaire pour obtenir des conseils avant d'essayer de remplacer des pièces. Remplacez le relais du ventilateur. Remplacez le condensateur, remplacez le moteur du ventilateur. Remplacez le tableau de commande.</p>
<p>Le ventilateur tourne, mais pas de refoulement d'air froid à la partie supérieure de l'appareil de chauffage. L'appareil est ALLUMÉ et la température réglée est au-dessus de la température réelle, mais l'appareil ne chauffe pas. Aucune alarme.</p>	<p>La thermopompe se trouve dans la temporisation de sécurité de cinq minutes et le compresseur n'a pas démarré. Compresseur défectueux. Condensateur défectueux. Contacteur du compresseur bloqué en position ouverte. Défaillance du tableau de commande. Câblage incorrect.</p>	<p>Appelez votre concessionnaire ou l'usine pour obtenir des conseils avant d'essayer de remplacer des pièces. Remplacez le condensateur. Remplacez le tableau de commande. Remplacez le contacteur. Remplacez le compresseur.</p>

Problème ou symptômes	Cause possible	Action corrective
Le Spa ne chauffe pas à la température maximale de 40°C (104°F). Le thermostat est au réglage maximal. OU L'eau du Spa chauffe très lentement.	Débit d'eau bas ou restreint à travers l'appareil de chauffage. Filtres sales ou usés ou filtres à charpie colmatés. Turbine de pompe pour filtration colmatée. Réglages inappropriés des vannes des canalisations. Fuite d'aspiration laissant de l'air entrer dans le débit d'eau. Faible débit d'eau lors de la mise en mode spa ou la commande n'est pas en mode spa. Appareil raccordé dans le mauvais sens. Échangeur de chaleur obstrué par des débris. Vanne de dérivation interne endommagée ou obstruée par des débris. Le thermomètre de votre spa ne donne pas la bonne température. Souffleuse d'air en marche. Entrées d'air du venturi ouvertes. Il fait très froid dehors. La pompe du spa ne fonctionne pas.	Nettoyez l'ensemble du système de filtration et/ou remplacez l'élément filtrant. Inspectez et nettoyez la turbine de la pompe. Réglez toutes les vannes des canalisations. Réparez les fuites d'air d'aspiration, graissez le joint torique du couvercle de la pompe. Arrêtez la souffleuse d'air et/ou les entrées du venturi qui entraînent une turbulence de l'air dans le spa. Utilisez un couvercle pendant le chauffage du spa. La température de l'air extérieur est trop basse. Réglez la minuterie de la pompe du spa pour une plus grande durée. Appelez votre concessionnaire pour obtenir des conseils. Appelez l'usine pour obtenir des conseils.
L'eau de la piscine chauffe très lentement. L'eau de la piscine n'atteint pas la température souhaitée.	Débit d'eau bas ou restreint à travers l'appareil de chauffage. Filtres sales ou usés ou filtres à charpie colmatés. Turbine de pompe pour filtration colmatée. Réglages inappropriés des vannes des canalisations. Fuite d'aspiration laissant de l'air entrer dans le débit d'eau. Il fait froid dehors. La minuterie de la pompe de la piscine n'est pas réglée pour une période de fonctionnement suffisante longue. La piscine n'est pas couverte. Vent fort sur la piscine. Zone de la piscine ombragée.	Nettoyez l'ensemble du système de filtration et/ou remplacez l'élément filtrant. Inspectez et nettoyez la turbine de la pompe. Réglez toutes les vannes des canalisations. Réparez les fuites d'air d'aspiration, graissez le joint torique du couvercle de la pompe. Utilisez une couverture de piscine. Placez un brise-vent autour de la piscine. Réglez la minuterie de la pompe de la piscine pour une plus longue durée. Appelez votre concessionnaire pour obtenir des conseils. Appelez l'usine pour obtenir des conseils.
Une pression de refoulement supérieure à la normale, une pression d'aspiration inférieure à la normale avec une surchauffe élevée et des tubes de distribution très froids ou couverts de givre, pourraient ne déclencher aucune alarme	TXV en position fermée bloquée.	1. Débranchez la sonde du TXV de la conduite d'aspiration (SL), prenez-la dans la main, si les pressions reviennent à la normale, alors réinstallez la sonde sur la conduite d'aspiration (il peut y avoir des débris coincés dans l'orifice). Pour les TXV réglables, ouvrez la vanne réglable, cela pourrait enlever les débris et remettre le TXV à la position d'origine. 2. Si (1) ne fonctionne pas, récupérez la charge, retirez la sonde de SL, dévissez la tête du TXV, secouez-la, si elle fait un bruit de cliquetis, remplacez la tête (pièce n° AC-45-ZGA), sinon, remplacez le TXV et le déshydrateur-filtre et refaites la charge correctement.
Une pression de refoulement inférieure à la normale, une pression d'aspiration supérieure à la normale avec conduite d'aspiration et un compresseur froids, sans aucune surchauffe, pourraient ne déclencher aucune d'alarme.	TXV bloqué en position ouverte.	1. Vérifiez si la sonde du TXV est bien fixée à la conduite d'aspiration, si elle est desserrée, fixez-la en serrant le collier de serrage qui l'entoure ainsi que la conduite d'aspiration. 2. Si (1) ci-dessus ne fonctionne pas, récupérez la charge et remplacez le TXV et le déshydrateur-filtre avec une charge nominale.
Intensité plus élevée que la normale.	TXV bloqué en position fermée/partiellement fermée, débit d'eau insuffisant, système surchargé.	Consultez la colonne Cause possible pour : TXV bloqué en position fermée, débit d'eau insuffisant et appareil surchargé.
Faible intensité avec surchauffe élevée.	Appareil sous-chargé.	Trouvez la source de la fuite du frigorigène et corrigez-la. Éliminez le vide et rechargez.
L'appareil fonctionne, mais le disjoncteur se déclenche continuellement.	Problème électrique.	Contactez un électricien certifié.

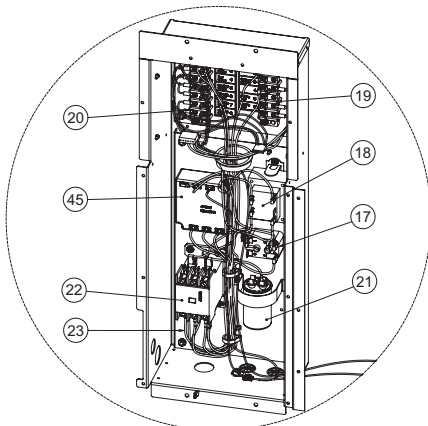
Problèmes et mesures correctives (appareils triphasés uniquement)		
Problème ou symptômes	Cause possible	Action corrective
Impossibilité à mettre la thermopompe en Marche. Affichage vierge. L'appareil NE démarre PAS.	Câblage incorrect.	Vérifiez le témoin sur le Moniteur de phase à l'intérieur de la boîte électrique. S'il est rouge, permutez deux des fils d'entrée. Deux des trois peuvent être permutés.
	Moniteur de phase défectueux.	Appelez votre concessionnaire ou l'usine pour obtenir des conseils avant d'essayer de remplacer des pièces. Remplacez le moniteur de phase.
	Fil lâche sur le moniteur de phase, soit à l'entrée alimentation soit sur le côté sortie.	Vérifiez le témoin sur le Moniteur de phase à l'intérieur de la boîte électrique. Si le témoin est rouge, fixez l'extrémité lâche de l'alimentation. Si le témoin est vert, fixez le fil lâche de la sortie.
Le compresseur est bruyant ou fait un bruit inhabituel lorsqu'il fonctionne. Le ventilateur tourne, mais pas de refoulement d'air froid à la partie supérieure de l'appareil de chauffage. L'appareil est ALLUMÉ et la température réglée est au-dessus de la température réelle, mais l'appareil ne chauffe pas.	Le compresseur tourne dans le mauvais sens. Cela se produit généralement si le faisceau de câblage du compresseur est débranché suite à une réparation ou à un remplacement.	Permutez deux des trois fils du côté compresseur du contacteur.

PIÈCES DE RECHANGE

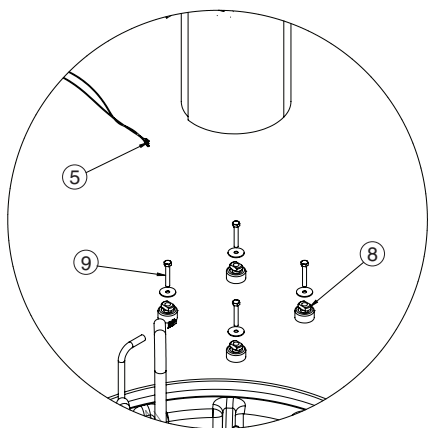
Vue éclatée des pièces



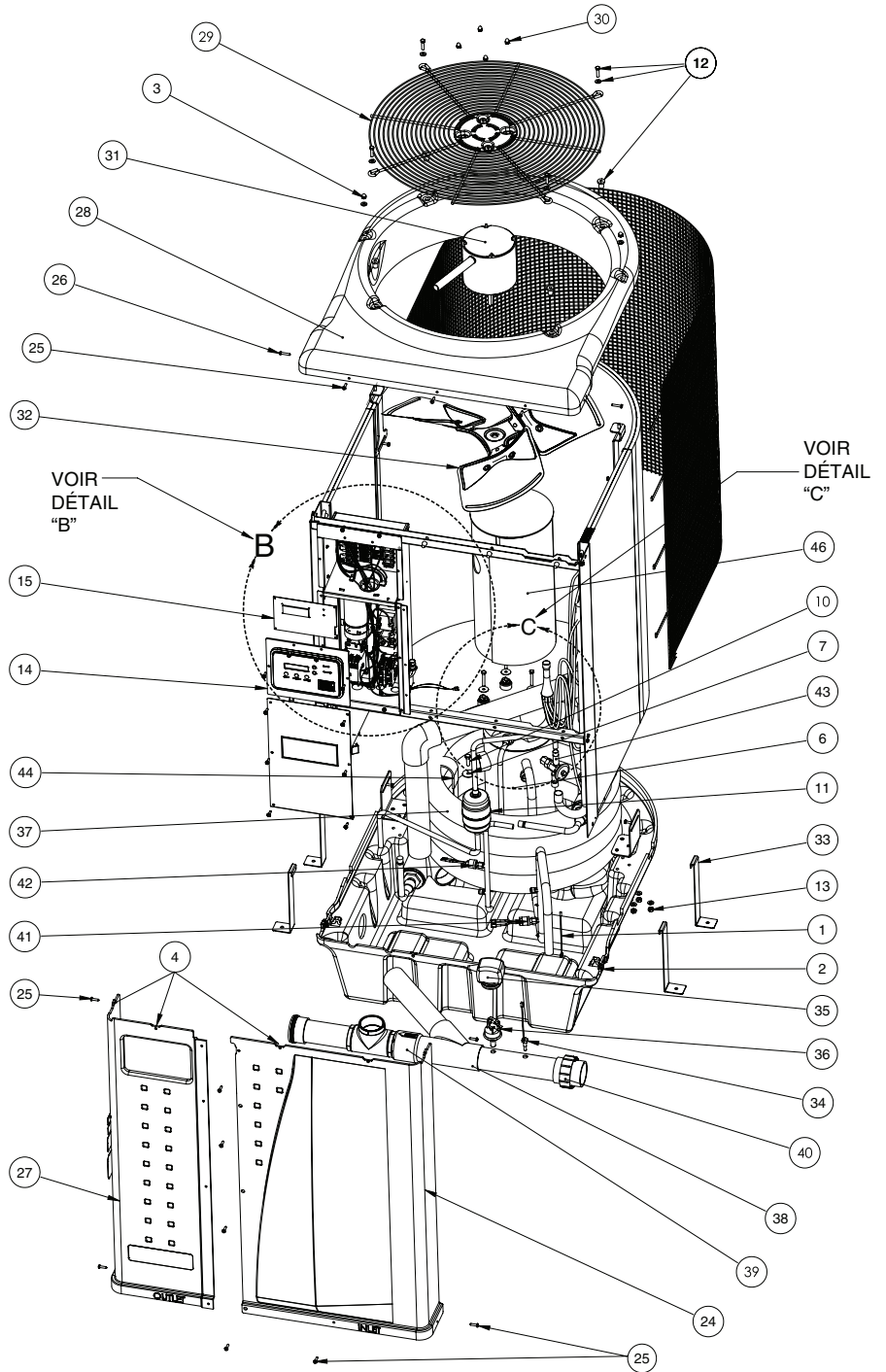
DÉTAIL B – Monophasé



DÉTAIL B – Triphasé



DÉTAIL C



Liste des pièces

D'ARTICLE	N° DE PIÈCE	DESCRIPTION
1	473665	Thermistance à sonde - Capteur de dégivrage
2	470284	Écrou d'attache en J
3	473285	Écrou borgne, 1/4 - 20 acier inox.
4	470281	Écrou d'attache en U
5	473732	Faisceau de câblage de Emerson compr. (monophasé-60Hz)
	474010	Faisceau de câblage de Danfoss compr. (modèles triphasés)
6	473734Z	Compresseur, Scroll ZP83 (modèles 120, 120 H/C, 140, 140 H/C)
	473735Z	Compresseur, Scroll ZP70 (modèle 110)
	474011Z	Néc. de compresseur Scroll HLJ83 (modèles triphasés) 120C seul.)
	474241Z	Compresseur Scroll ZP61 (modèle 90)
	474291Z	Compresseur Scroll ZP49 (modèle 70)
7	473295	Rondelle de protection
8	473736	Néc. D'isolement de compresseur, passe-fil et entretoise (1 jeu)
9	473745	Boulon 5/16 - 18 X 1,75 po acier inox.
10	98219800	Boulon 5/16 - 18 X 1 po acier inox.
11	473121	Déshydrateur (touse modèles sauf 120 H/C, 140 H/C)
	473139	Déshydrateur (modèles 120 H/C, 140 H/C)
12	470441	Néc. De fixations de carter de ventilateur
13	071406	Écrou hex., 1/4 - 20 acier inox.
14	472734	Boîtier de tableau de commande a/étiquette
15		Tableau de commande - Chauff. Autom., haut
16	473603	Contacteur de pompe - Chauff. Autom. (modèles 70, 90, 110, 120, 120 H/C, 140, 140H/C)
17	473150	Relais de ventilateur
18	473155	Transformateur
19	473422	Bornier de faisceau de câblage - Ventilateur, compresseur
20	473315	Bornier de faisceau de câblage - Capteurs
21	473731	Condensateur (tous modèles sauf 120C, 140C)
	473154	Condensateur (modèle triphasé 120C, 140C seul.)
22	473778	Contacteur, thermopompes
23	475112	Faisceau de câblage princ. (touse modèles monophasés)
	474021	Faisceau de câblage princ. (modèle triphasé 120C, 140C)
24	473742	Panneau avant droit, 36 po, amande
	474194	Panneau avant droit, 36 po, noir
	473412	Panneau avant droit, 24 po, amande
	474265	Panneau avant droit, 24 po, noir
25	470159	Vis no 10 X 0,75 po Phillips à tête cyl. large, amande
	470198	Vis no 10 X 0,75 po Phillips à tête cyl. large, noire
26	470161	Vis no 10 X 1 po carré à tête cyl. large, amande
	474197	Vis no 10 X 1 po carré à tête cyl. large, noire
27	473755	Panneau avant gauche, a/auto-collant, 36 po, amande
	474196	Panneau avant gauche, a/auto-collant, 36 po, noir
	474203	Panneau avant gauche, a/auto-collant, 24 po, amande
	474267	Panneau avant gauche, a/auto-collant, 24 po, noir

D'ARTICLE	N° DE PIÈCE	DESCRIPTION
28	473773	Dessus de thermopompe, amande
	474193	Dessus de thermopompe, noir
29	473786	Carter de ventilateur
30	470439	Écrou borgne no 10-32 acier inox.
31	473785	Moteur de ventilateur a/néc. D'écrous borgnes
	474323Z	Moteur de ventilateur a/néc. D'écrous borgnes (modèles 140, 140 H/C seul.)
32	473783	Turbine de ventilateur (60Hz)
	474322	Turbine de ventilateur (modèles 140, 140C, 140 H/C)
33	470137	Bride d'ancrage
34	471566	Thermistance à sonde - Température de l'eau
35	473606	Gaine du manostat de l'eau
36	473605	Manostat de l'eau
37	475193Z	Échangeur de chaleur au titane (modèle 70)
	475219Z	Échangeur de chaleur au titane (touse modèles sauf 70)
-	474270Z	Nécessaire de réparation de serpentins de thermopompe
38	475176Z	Kit de collecteur de dérivation
39	R172305	Clapet antiretour de dérivation de l'eau
40	473381	Raccord-union PVC 2 po
41	473656	Manostat basse pression
42	473744	Manostat haute pression
43	473787	Détendeur thermostatique (modèles 110, 120, 120C)
	473999	Détendeur thermostatique (modèle 120 H/C)
	474242	Détendeur thermostatique (modèles 70, 90)
	474327	Détendeur thermostatique (modèles 140, 140C, 140 H/C)
44	475194	Barette de échangeur de chaleur, côté juste
	475195	Barette de échangeur de chaleur, côté gauche
45	474089	Moniteur de phase
46	475230	Compresseur blanchet
-	473135	Ensemble de robinet inverseur (modèles 120 H/C, 140 H/C)
-	473432	Electrovanne d'inversion (modèles 120 H/C, 140 H/C)
-	474237	Attache de retenue de l'alim. du compr
-	474321	Récepteur 3 pouces (modèles 140, 140C, 140 H/C)
-	473054Z	Garde de bobine
-	475232	Raccord NPT mâle 5/8 po x 1/2 po
-	472409	Noyau de valve réfrigération
-	071426	O-anneau d'union

(-) Remarque: Non illustré