



MaxFlo VS[®] 500

»»» Variable-Speed Pump

**DURABLE DESIGN,
SUPERIOR SAVINGS**

Intuitive control pad can be rotated in four directions on the pump or removed and wall mounted



EXPERT LINE[™]
ONLY FROM POOL PROS

See-through strainer cover lets you see when the basket needs cleaning



1 1/2" x 2" union connections allow for seamless installation in any application

Upgraded dual-voltage motor drive delivers 30% quieter high-speed operation than other models



Advanced hydraulic design offers increased efficiency and incredibly quiet operation, especially at lower speeds

UNRIVALED RELIABILITY
A chemical-resistant Viton[®] seal and a 3-year warranty mean MaxFlo VS[™] 500 will provide years of powerful performance.

ENERGY-EFFICIENT DESIGN
With a super-efficient permanent magnet totally enclosed fan-cooled motor, MaxFlo VS 500 provides up to 80% energy savings over single-speed pumps and pays for itself faster than larger, more expensive models. Its ENERGY STAR[®] rating means local energy rebates may apply, too.

UNIVERSAL COMPATIBILITY
Built with dual-voltage capability, MaxFlo VS 500 is an easy, drop-in upgrade that can operate in standalone mode or connect to any automation system, either directly or with relays.

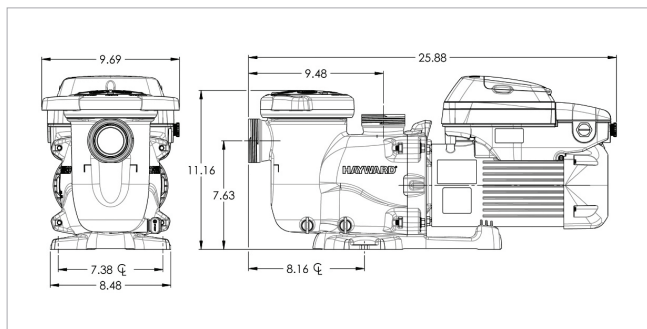


SPECIFICATIONS

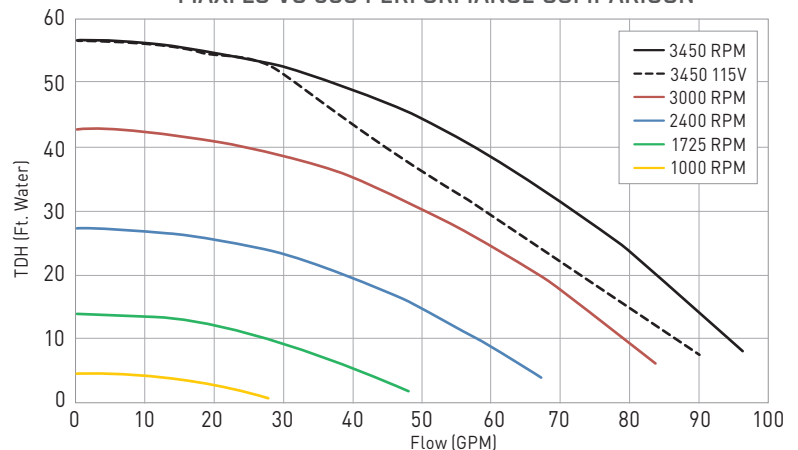
MODEL NUMBER	TOTAL HP	VOLTAGE	WEIGHTED ENERGY FACTOR (WEF)*	UNION CONNECTIONS	WARRANTY
SP23520VSP	1.65	115V/230V	10.7/10.2	1.5" x 2"	3 years**

*The higher the weighted energy factor (WEF), the more efficient the pump. Visit hayward.com/regulations for more information.

MAXFLO VS 500 DIMENSIONS (INCHES)



MAXFLO VS 500 PERFORMANCE COMPARISON



MaxFlo VS 500 pumps are listed by:

**When sold by a Totally Hayward[®] partner. Exclusions, other terms and conditions may apply — visit hayward.com/expert for details.

» hayward.com » 1-888-HAYWARD | Pumps » Filters » Heating » Cleaners » Sanitization » Automation » Lighting » Water Features » White Goods

Hayward, Hayward & Design, the H logo, MaxFlo VS and Totally Hayward are registered trademarks and Expert Line is a trademark of Hayward Industries, Inc. ENERGY STAR is a registered mark owned by the U.S. government. All other trademarks not owned by Hayward are the property of their respective owners. Hayward is not in any way affiliated with or endorsed by those third parties. © 2020 Hayward Industries, Inc.

eLITMFVS50020